

Occupancy detectors DALI Compact - 2-channel Broadcast PD2-M-DALI/DSI-1C



white mat, similar to RAL9010 , Part No. 92486 white mat, similar to RAL9010 , Part No. 93033

Product Information

- Occupancy detector for daylight-dependent lighting control
- DALI / DSI interface for control of digital dimmable electronic ballasts as a group
- Additional switching channel for one of the following two functions:
Cut-Off (complete ECG switch-off to avoid standby losses) or HVAC (for the energy-efficient control of heating, air-conditioning or ventilation systems or for displaying occupancy)
- Switching between DALI and DSI programming possible with DIP switch and remote control
- Orientation light function
- Relay with tungsten pre-make contact, optimised for LED loads
- Version as master device
- Detection area can be extended with slave devices
- Manual switching and dimming via push button possible
- Additional functions can be set up using the optional remote control.
- Avoidance of standby losses of the lighting system in accordance with EnEV DIN V 18599-4
- Semi-automatic, full-automatic or twilight switch mode
- Factory settings 10 min and 500 lux
- **Typical applications:**
Offices, conference rooms, schools, nursery schools, hospitals

Technical Data

Voltage: 110 - 240 V AC 50 / 60 Hz

Dimensions: FC= Ø 80 x 85 mm

	SM= Ø 102 x 58 mm
Power consumption:	approx. 1 W
Detection area:	vertical 360°
Range:	max. Ø 10 m across max. Ø 6 m towards max. Ø 4 m seated
Monitored area (tangential movement):	78 m ² / 2.5 m mounting height
Mounting height min./max./recommended:	2 m / 5 m / 2.5 m
Degree / class of protection:	FC= IP20 / Class II SM= IP54 / Class II
Ambient temperature:	-25 °C to +50 °C
Housing:	Polycarbonate, UV-resistant

Channel 1 (lighting control)

DALI output:	up to 50 DALI / DSI-EB
Follow-up time:	1 min - 30 min
Orientation light:	20 % / OFF / 5 min - 60 min / ∞
Brightness set value:	10 - 2000 Lux

Channel 2 (HVAC or lighting control)

Switching power:	2300 W, cos φ = 1 1150 VA, cos φ = 0.5 300 W LED max. inrush current I _p (20 ms) = 165 A
Type of contact:	1x μ-contact, NO contact with tungsten pre-make contact
Follow-up time:	5 min - 120 min, Alarm pulse, Pulse Mixed light measuring

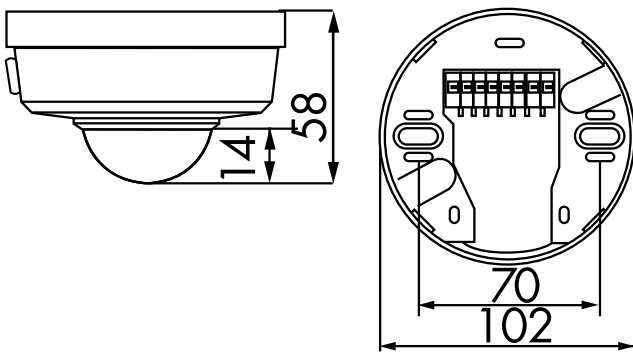
Description

Description	Colour	Part number	EAN number
PD2-M-DALI/DSI-1C-FC	white mat, similar to RAL9010	92486	4007529924868
PD2-M-DALI/DSI-1C-SM	white mat, similar to RAL9010	93033	4007529930333

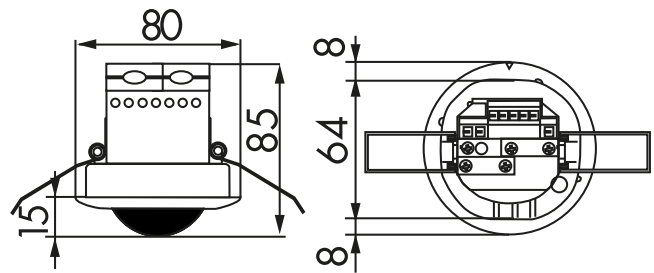
Accessory

Description	Colour	Part number	EAN number
BLE-IR-Adapter	black	93067	4007529930678

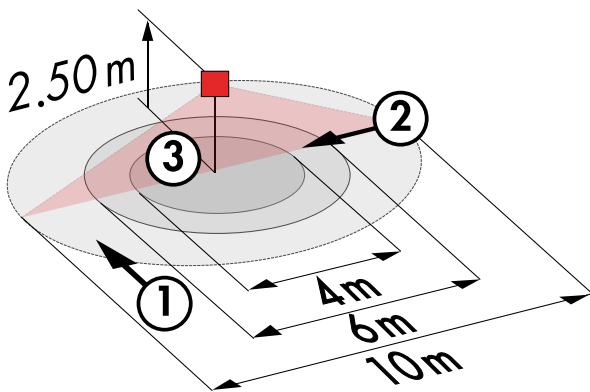
Description	Colour	Part number	EAN number
IR-Adapter for Smartphones	black	92726	4007529927265
IR-PD-DALI-1C	-	92116	4007529921164
IR-PD-DALI-Mini	-	92112	4007529921126
Wire basket BSK (Ø 200 x 90 mm)	white	92199	4007529921997
RC-Arc extinction kit	white	10880	4007529108800
Mini-RC-Arc extinction kit	black	10882	4007529108824



Dimensions 93033

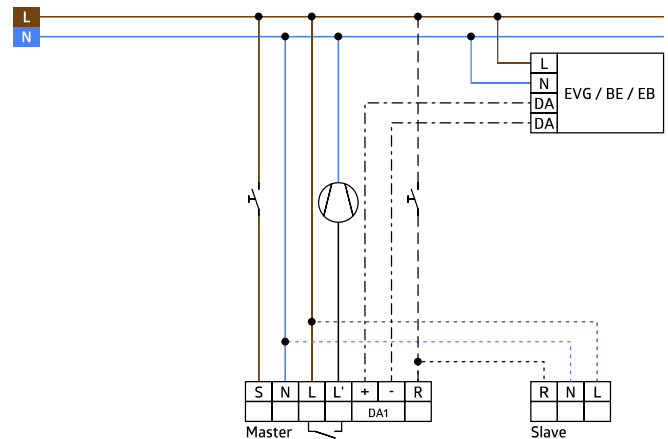


Dimensions 92486



Range diagram

- 1: Walking across
- 2: Walking towards
- 3: Seated activity



Wiring diagram

