

Description	Colour	Part number	EAN number
PD11-M-1C-FLAT-FC	white	92583	4007529925834



FC

Accessory	Colour	Part number	EAN number
IR-PD-1C	grey	92520	4007529925209
IR-PD-Mini	grey	92159	4007529921591
IR-PD-1C-E	grey	92077	4007529920778
IR-Adapter for Smartphones	black	92726	4007529927265
PD11-S-FLAT-FC	white	92593	4007529925933

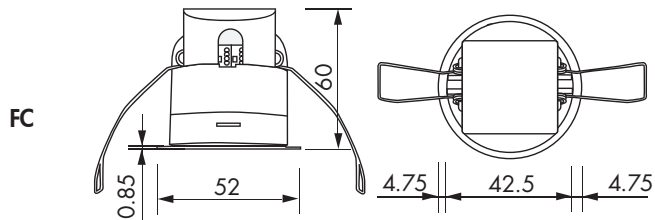
■ TECHNICAL DATA

<b>Voltage:</b>	110 - 240 V AC 50 / 60 Hz
<b>Typ. power input:</b>	approx. 0.3 W
<b>Detection area:</b>	360°
<b>Range:</b>	max. Ø 9 m across max. Ø 6 m towards max. Ø 3 m small movements
<b>Recommended mounting height:</b>	2.5m
<b>Degree / class of protection:</b>	IP20 / Class II
<b>Ambient temperature:</b>	-25 °C to +50 °C
<b>Housing:</b>	Polycarbonate, UV-resistant
<b>Remote control-capable:</b>	IR-Adapter for Smartphones, IR-PD-1C, IR-PD-1C-E, IR-PD-Mini
	<b>Channel 1 (lighting control)</b>
<b>Switching power:</b>	2300 W, cos φ = 1 1150 VA, cos φ = 0.5 max. inrush current I <sub>p</sub> (20ms) = 165A
<b>Type of contact:</b>	NO contact with tungsten pre-make contact
<b>Time settings:</b>	5 min - 30 min, pulse
<b>Lux value:</b>	10 - 2000 Lux Mixed light measuring

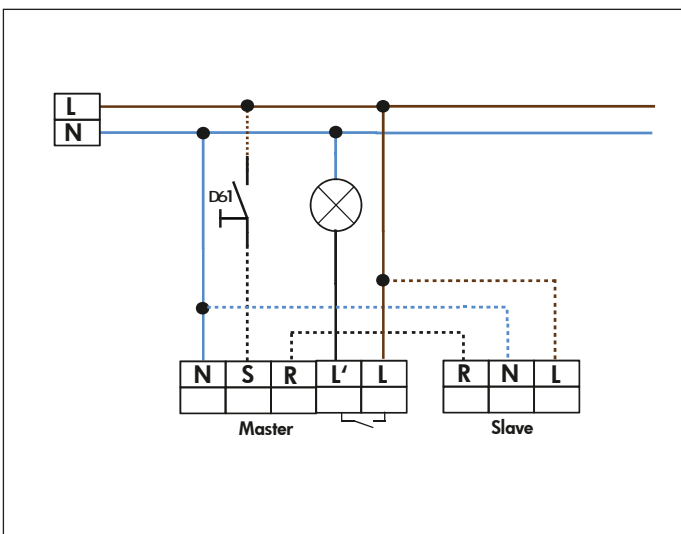
**i** PRODUCT INFORMATION

- Particularly flat occupancy detector as master version without additional power supply
- Visible portion when built into ceiling: H 0.85 mm
- One channel for light switching
- Simple operation with remote control (required)
- Version as Master device
- Detection area can be extended with Slave devices
- Spring clips for quick and easy installation in suspended ceilings
- Factory settings 10 min and 500 lux

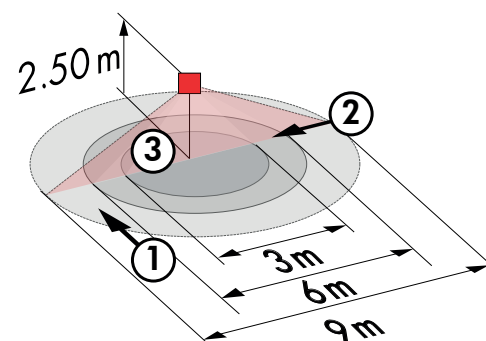
**DIMENSIONS DRAWING**



**WIRING DIAGRAM**



**RANGE DIAGRAM**



- ① Walking across
- ② Walking towards
- ③ Smaller movements