

Description	Colour	Part number	EAN number
PD3N-1C-FC	white	92196	4007529921966
PD3N-1C-FM	white	92186	4007529921867
PD3N-1C-SM	white	92190	4007529921904



FC



FM



SM

Accessory	Colour	Part number	EAN number
IR-PD-Mini	grey	92159	4007529921591
IR-PD3N	grey	92105	4007529921058
IR-Adapter for Smartphones	black	92726	4007529927265
Wire basket BSK (Ø 200 x 90 mm)	white	92199	4007529921997

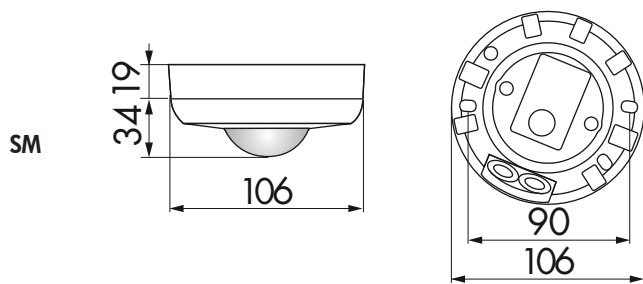
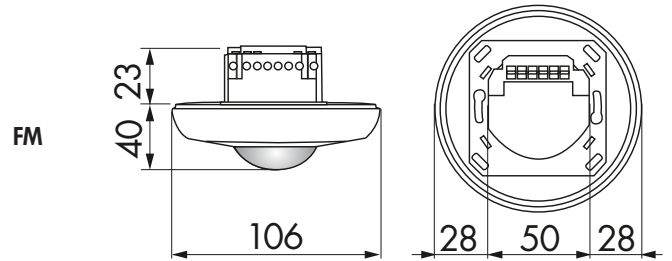
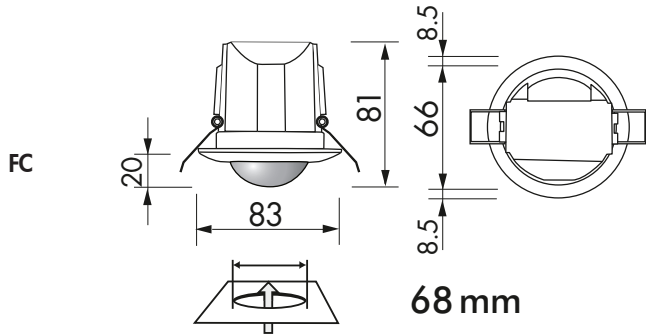
■ TECHNICAL DATA

Voltage:	110 - 240 V AC 50 / 60 Hz
Typ. power input:	approx. 0.5 W
Detection area:	360°
Range:	max. Ø 10 m across max. Ø 6 m towards max. Ø 4 m small movements
Recommended mounting height:	2.5m
Degree / class of protection:	FC= IP23 SM= IP44 FM= IP20 / Class II
Ambient temperature:	-25 °C to +50 °C
Housing:	Polycarbonate, UV-resistant
Remote control-capable:	IR-Adapter for Smartphones, IR-PD3N, IR-PD-Mini
Switching power:	Channel 1 (lighting control) 2300 W, cos φ = 1 1150 VA, cos φ = 0,5
Breaking capacity (relay):	max. inrush current I _p (20ms) = 165A
Time settings:	30 sec - 30 min, pulse
Lux value:	10 - 2000 Lux

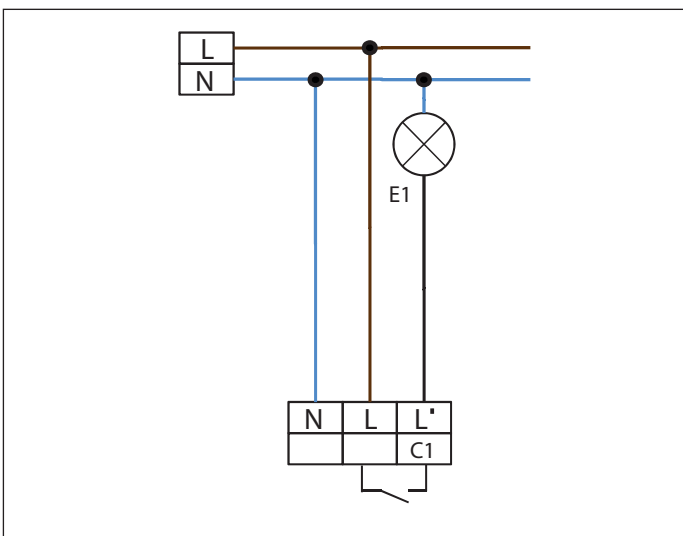
i PRODUCT INFORMATION

- Remote control-capable ceiling motion detector
- One channel for light switching
- Special optical system for detection of even the smallest movements
- Additional functions can be set up using the optional remote control.

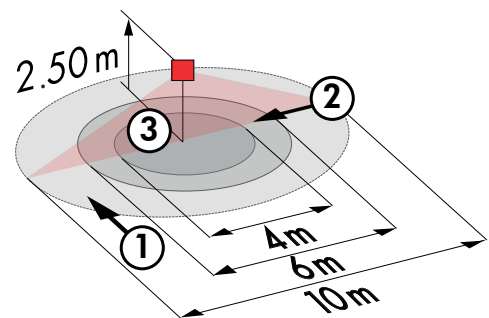
DIMENSIONS DRAWING



WIRING DIAGRAM



RANGE DIAGRAM



- ① Walking across
- ② Walking towards
- ③ Smaller movements