

Description	Colour	Part number	EAN number
PD4-M-DALI/DSI-C-FC	white	92328	4007529923281
PD4-M-DALI/DSI-C-SM	white	92530	4007529925308



FC



SM

Accessory	Colour	Part number	EAN number
IR-PD-DALI-E	grey	92122	4007529921225
IR-PD-DALI	grey	92094	4007529920945
IR-PD-DALI-Mini	grey	92112	4007529921126
IR-PD-DALI-LD	grey	92652	4007529926527
IR-Adapter for Smartphones	black	92726	4007529927265
Wire basket BSK (Ø 200 x 90 mm)	white	92199	4007529921997
Wall fixture for PD4-SM	white	92441	4007529924417
Socket IP54 for PD2- and PD4-SM	white	92161	4007529921614
PD4-S-C-SM	white	92442	4007529924424
PD4-S-C-FC	white	92444	4007529924448

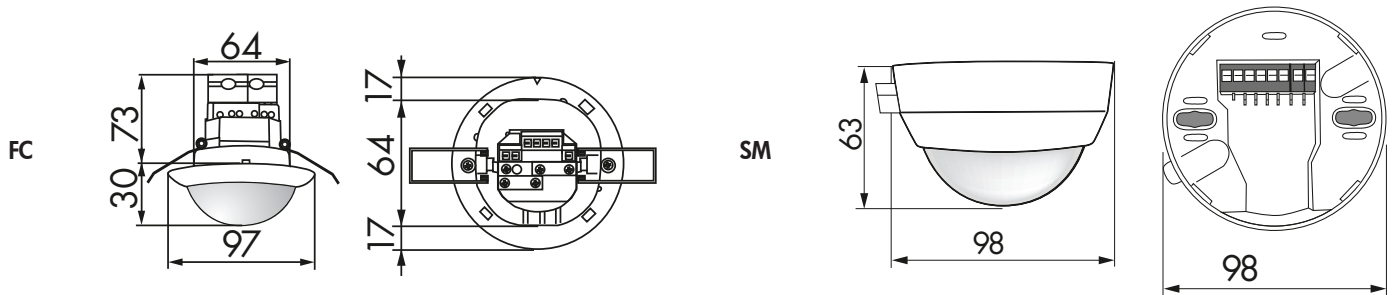
## ■ TECHNICAL DATA

<b>Voltage:</b>	110 - 240 V AC 50 / 60 Hz
<b>Typ. power input:</b>	0.9 W
<b>Detection area:</b>	360°
<b>Range:</b>	max. Ø 40 m across max. Ø 20 m towards
<b>Recommended mounting height:</b>	2.5m
<b>Mounting height:</b>	Attention, exceptional mounting height!
<b>Degree / class of protection:</b>	FC= IP20 SM= IP20 / Class II
<b>Ambient temperature:</b>	-25 °C to +50 °C
<b>Housing:</b>	Polycarbonate, UV-resistant
<b>Remote control-capable:</b>	IR-Adapter for Smartphones, IR-PD-DALI, IR-PD-DALI-E, IR-PD-DALI-LD, IR-PD-DALI-Mini
	<b>Channel 1 (lighting control)</b>
<b>DALI output:</b>	up to 50 DALI / DSI EB
<b>Time settings:</b>	1 min - 30 min
<b>Lux value:</b>	10 - 2000 Lux Mixed light measuring

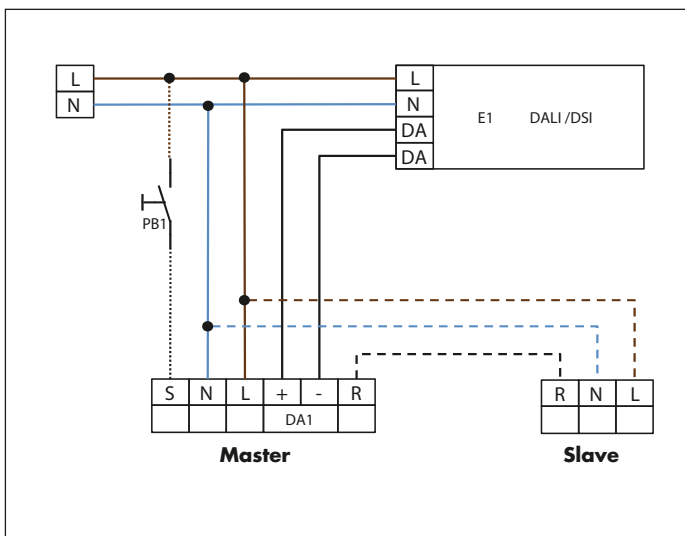
## PRODUCT INFORMATION

- Occupancy detector designed for corridors, daylight-dependent lighting control
- DALI / DSI interface for control of digital dimmable electronic ballasts as a group
- Switching between DALI and DSI programming possible with DIP switch and remote control
- Version as Master device
- Detection area can be extended with Slave devices
- Manual switching and dimming via push button possible
- Orientation light function
- Additional functions can be set up using the optional remote control.
- Factory settings 10 min and 500 lux

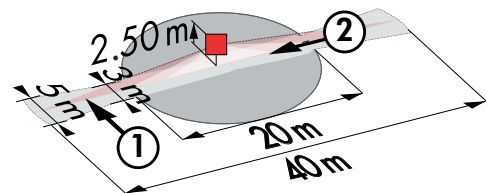
**DIMENSIONS DRAWING**



**WIRING DIAGRAM**



**RANGE DIAGRAM**



- ① Walking across
- ② Walking towards