

B.E.G.**LUXOMAT® net****PD4-M-DALI/DSI**

Description	Colour	Part number	EAN number
PD4-M-DALI/DSI-FC	white	92275	4007529922758
PD4-M-DALI/DSI-SM	white	92279	4007529922796



FC



SM

Accessory	Colour	Part number	EAN number
IR-PD-DALI-E	grey	92122	4007529921225
IR-PD-DALI	grey	92094	4007529920945
IR-PD-DALI-Mini	grey	92112	4007529921126
IR-PD-DALI-LD	grey	92652	4007529926527
IR-Adapter for Smartphones	black	92726	4007529927265
Wire basket BSK (Ø 200 x 90 mm)	white	92199	4007529921997
Socket IP54 for PD2- and PD4-SM	white	92161	4007529921614
PD4-S-FC	white	92254	4007529922543
PD4-S-SM	white	92142	4007529921423

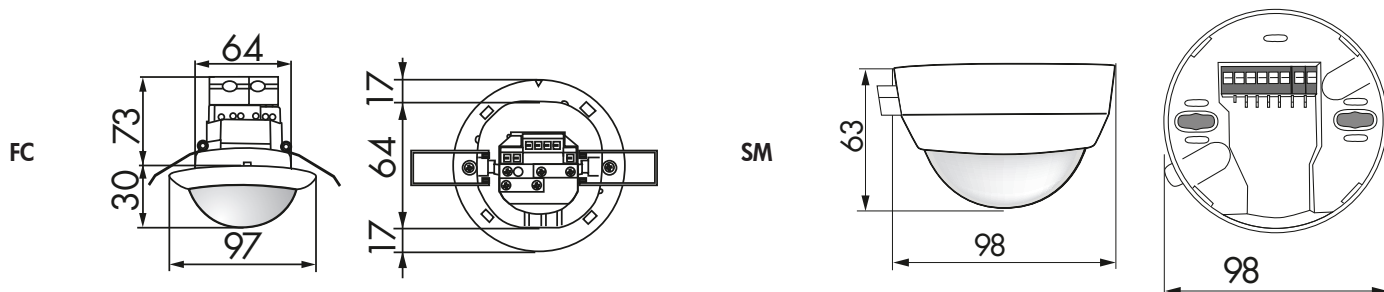
■ TECHNICAL DATA

Voltage:	110 - 240 V AC 50 / 60 Hz
Typ. power input:	0.9 W
Detection area:	360°
Range:	max. Ø 24 m across max. Ø 8 m towards max. Ø 6.4 m small movements
Recommended mounting height:	2.5m
Degree / class of protection:	FC= IP20 SM= IP20 / Class II
Ambient temperature:	-25 °C to +50 °C
Housing:	Polycarbonate, UV-resistant
Remote control-capable:	IR-Adapter for Smartphones, IR-PD-DALI, IR-PD-DALI-E, IR-PD-DALI-LD, IR-PD-DALI-Mini
	Channel 1 (lighting control)
DALI output:	up to 50 DALI / DSI EB
Time settings:	1 min - 30 min
Lux value:	10 - 2000 Lux Mixed light measuring

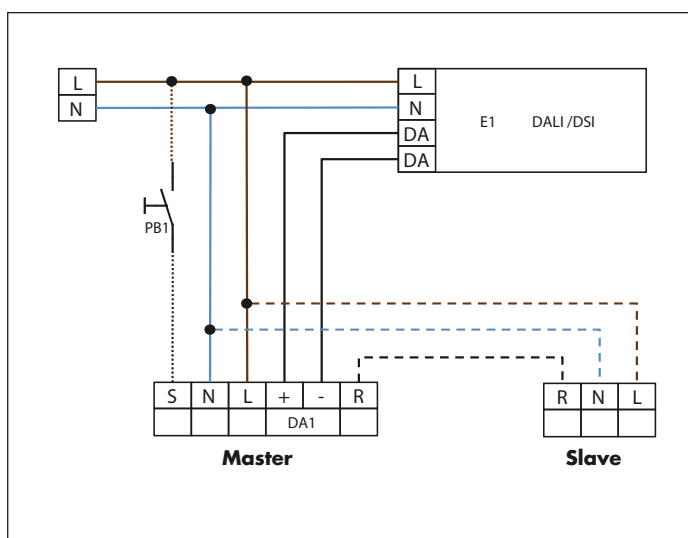
i PRODUCT INFORMATION

- Occupancy detector with extended detection area, daylight-dependent lighting control
- DALI / DSI interface for control of digital dimmable electronic ballasts as a group
- Switching between DALI and DSI programming possible with DIP switch and remote control
- Orientation light function
- Version as Master device
- Detection area can be extended with Slave devices
- Manual switching and dimming via push button possible
- Additional functions can be set up using the optional remote control.
- Factory settings 10 min and 500 lux

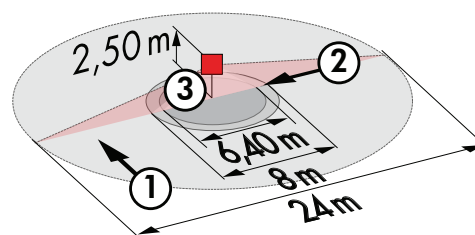
DIMENSIONS DRAWING



WIRING DIAGRAM



RANGE DIAGRAM



- ① Walking across
- ② Walking towards
- ③ Smaller movements