

Description	Colour	Part number	EAN number
PD2-M-2C-FC	white	92165	4007529921652
PD2-M-2C-SM	white	92150	4007529921508
PD2-M-2C-FM	white	92155	4007529921553



FC



SM



FM

Accessory	Colour	Part number	EAN number
PD2-S-SM	white	92152	4007529921522
PD2-S-FM	white	92156	4007529921560
PD2-S-FC	white	92166	4007529921669
IR-PD-2C	grey	92475	4007529924752
IR-PD-Mini	grey	92159	4007529921591
IR-Adapter for Smartphones	black	92726	4007529927265
Wire basket BSK (Ø 200 x 90 mm)	white	92199	4007529921997
Socket IP54 for PD2- and PD4-SM	white	92161	4007529921614

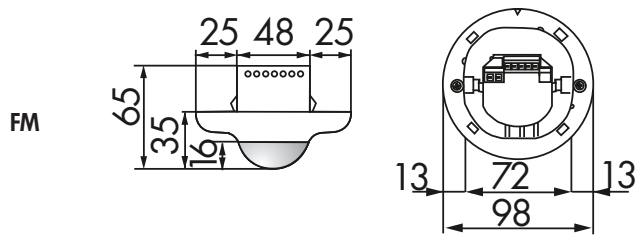
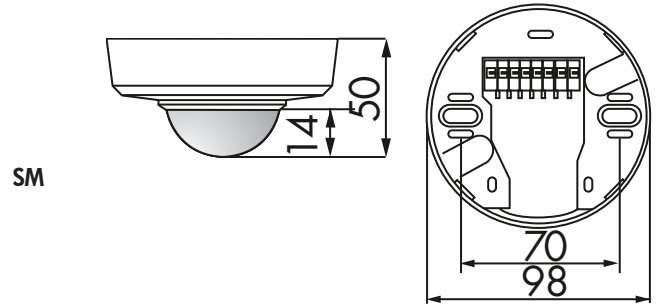
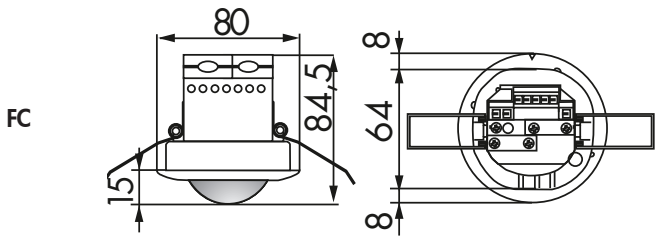
■ TECHNICAL DATA

Voltage:	110 - 240 V AC 50 / 60 Hz
Typ. power input:	approx. 0.5 W
Detection area:	360° max. Ø 10 m across max. Ø 6 m towards
Range:	max. Ø 4 m small movements
Recommended mounting height:	2.5m
Degree / class of protection:	FC= IP20 SM= IP20 FM= IP20 / Class II
Ambient temperature:	-25 °C to +50 °C
Housing:	Polycarbonate, UV-resistant
Remote control-capable:	IR-Adapter for Smartphones, IR-PD-2C, IR-PD-Mini
Switching power:	Channel 1 (lighting control) 2300 W, cos φ = 1 1150 VA, cos φ = 0.5 max. inrush current I _p (20ms) = 165A
Type of contact:	NO contact with tungsten pre-make contact
Time settings:	15 sec - 30 min, pulse
Lux value:	10 - 2000 Lux
Switching power:	Channel 2 (HVAC control potential-free) Dry contact type NO, 3A, 230 V, cos φ = 1
Time settings:	5 min - 120 min, pulse, alarm pulse Mixed light measuring

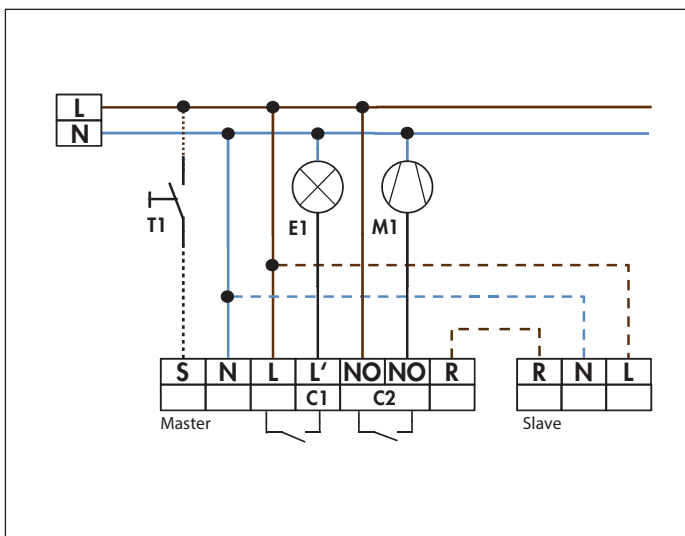
PRODUCT INFORMATION

- Occupancy detector with circular detection area
- One channel for light switching
- One additional potential-free (dry) contact for HVAC
- Version as Master device
- Detection area can be extended with Slave devices
- Manual switching via push-button possible
- Alarm pulse: the detector triggers only when three movements are detected within 9 seconds
- Additional functions can be set up using the optional remote control.
- Factory settings 10 min and 500 lux (15 min HVAC)

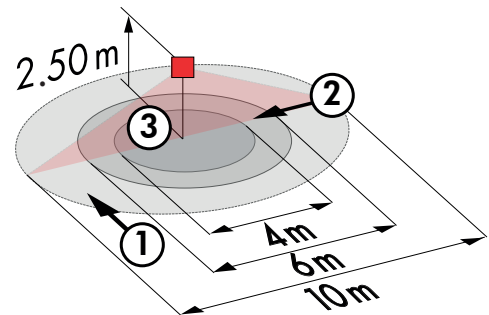
DIMENSIONS DRAWING



WIRING DIAGRAM



RANGE DIAGRAM



- ① Walking across
- ② Walking towards
- ③ Smaller movements