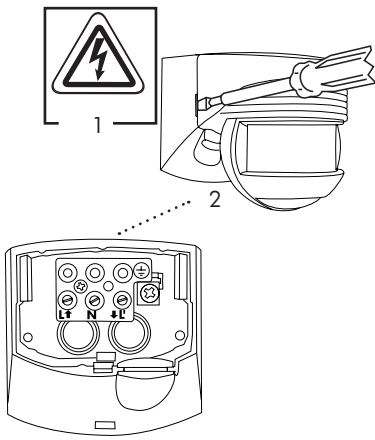




LUXOMAT® LC-Click-N 140 / 200

Installation and Operation instruction motion detector B.E.G. – LUXOMAT® LC-Click-N 140 and LC-Click-N 200

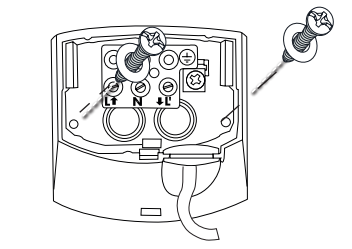
1. Mounting preparations



1) **Caution: have all work involving the 110-240V mains supply carried out by a qualified electrician! Before starting disconnect the mains! The device does not fulfil the requirements of DIN EN50131-2-2 and therefore cannot be used in professional intrusion detection systems.**

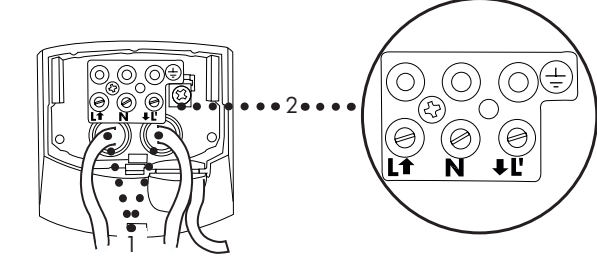
2) Socket pluggable
The device is not suited for safe disconnection of the mains supply.
Important: The LUXOMAT® LC-Click-N 140/200 has to be mounted in such a way that the potentiometers are facing down.
Caution: Do not connect more than 5 LUXOMAT® LC-Click-N in parallel in order to avoid any erroneous switching.

2. Wall mounting



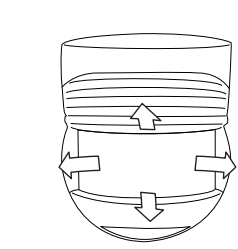
Mount the plug-in socket with two screws on a firm base.
 (Pay attention to cable insertion, see point 3)

3. Cable insertion



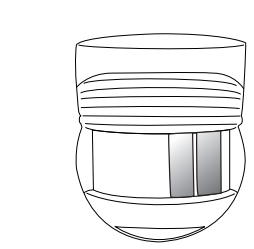
1) Cable can be inserted from behind, from below and from above. When inserting the cable from above, please use a seal ring.
 2) Connector block and labelling

4. Sensor head optics



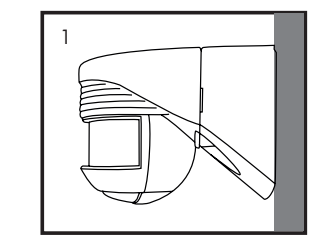
By turning the sensor head horizontally (approx. 90°) and/or vertically (approx. 85°), the detection area can be adjusted.

5. Exclude sources of interference

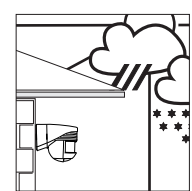


If the detection zone is too large, or areas are covered that should not be monitored, use the blinds to reduce or limit those areas (can also be used for anti-creep zone).

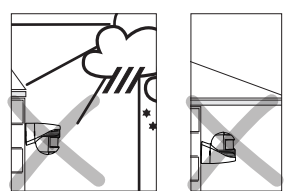
6. Mounting type



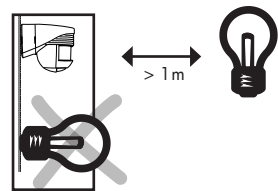
1) Wall mounting



1) Install the LC-Click-N in a weather protected area

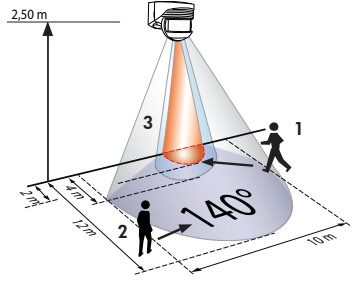


2) Influence of weather has negative impact on the device's lifetime. Inappropriate installation or use will interfere with trouble-free operation or will make a trouble-free operation impossible.



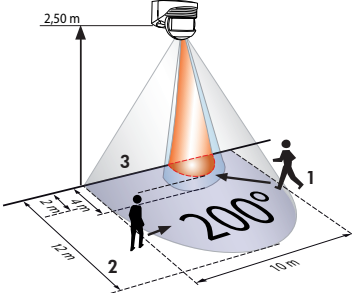
3) Minimum distance to switched lighting, frontally or laterally to device: 1 m
 4) Do not install any lighting below the device.

8. Detection range LC-Click-N 140



- 1 ■ Walking Towards
- 2 ■ Walking across
- 3 ■ Anti-creep

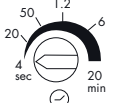
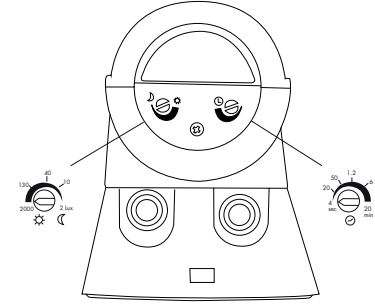
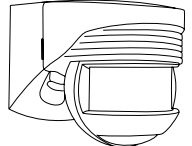
LC-Click-N 200



- 1 ■ Walking Towards
- 2 ■ Walking across
- 3 ■ Anti-creep

7. Putting into operation / Settings

Self test cycle
 The product enters an initial 60-second self-test cycle and the light is turned on, when the supply is first connected. Thereafter, the device is ready for operation and settings can be made manually using the potentiometers.



Follow-up time
 4 sec. ... 20 min.

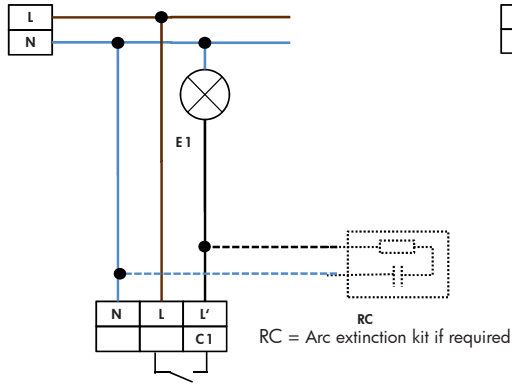


Lux value
 Night operation...Dusk...Day operation
 (Day operation: light evaluation inactive, switching at any brightness value)

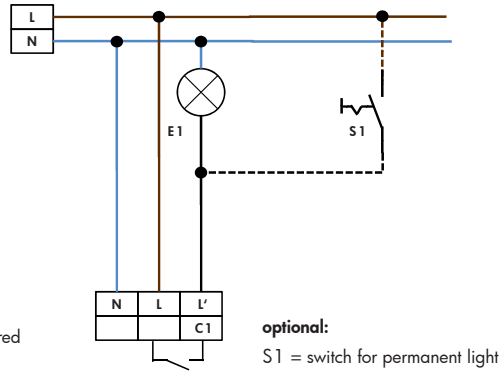
LC-Click-N 200

9. Wiring diagrams

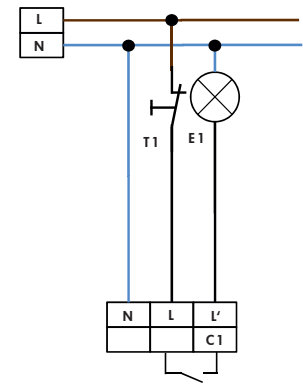
Standard mode



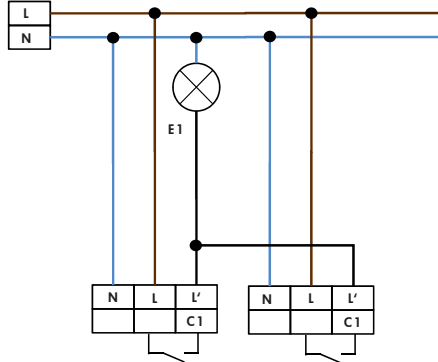
Standard mode



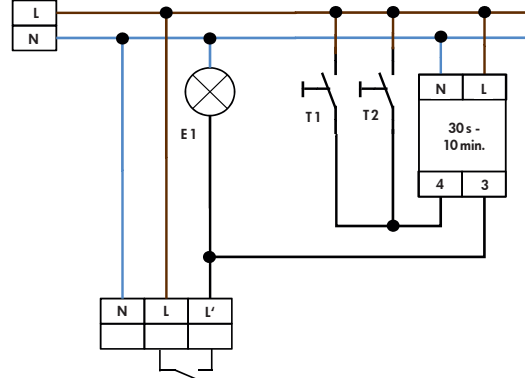
Standard mode with 1-channel motion detector with NC pushbutton



Parallel connection with 1-channel motion detector max. 5 in parallel



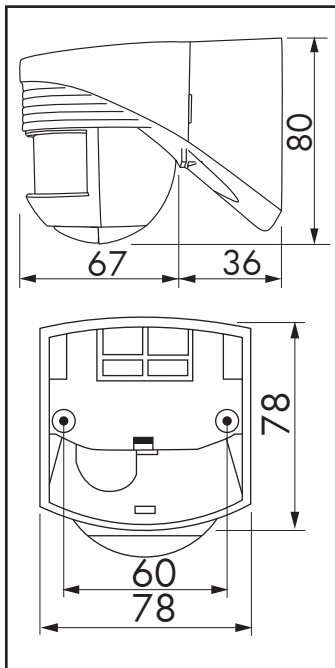
Standard mode with 1-channel motion detector (example: staircase)



T1 = NC button

An additional NC pushbutton allows for switching the light manually. Please press the pushbutton for approx. 2s. The detector switches the light on for 60s if the measured lux value is above the defined threshold. If the lux value passes below the defined threshold, the follow-up time is started additionally.

10. Dimensions (mm)



11. Trouble-Shooting

1. The connected light does not switch on

Cause - Action

- Lamp is defective
 - Replace light bulb.
- No mains connection
 - Check mains fuse.
- Switching threshold of the photo electric switch is not correct
 - Adjust the sensitivity of the photo electric switch using the potentiometer

The detection area does not correspond to local conditions
- Adjust the detection area accordingly by turning the sensor head

- The detector is mounted too high
 - Adjust the mounting height, max 2.5m
- The detector's lens is dirty
 - Clean the lens

2. The connected light turns on with a delay or the detection range is too short

- The detector is mounted too high or too low (optimum mounting height 2.5m)
- The detector only detects frontal movements
 - Adjust the sensor head of the detector for lateral detection

Sloping terrain:
- Adjust the sensor head to the slope

3. Light remains on permanently

Continuous thermal movement within detection area
- Remove the heat source out of the detection area.

The detector is mounted parallel to a switch for manual switching
- Please take care of correct connection of the switch

4. Unwanted switching of the light

Permanent influence of heat sources in the detection area (trees, shrubs bending in the wind, animals like cats or dogs passing by)
- Reduce the detector's detection area by turning the sensor head down or by using the blinds

- Sun shines directly on the detector's lens
 - Protect the lens against solar radiation

The detector is placed above an air vent
- Change the mounting place of the detector

5. No reaction to vehicles

The vehicle's motor is not warm enough (little heat radiation)

12. Technical data

Power supply: 110 - 240 VAC, 50/60 Hz

Detection area:
LC-Click-N 140 140° + 180° anti-creep zone
LC-Click-N 200 200° + 180° anti-creep zone

Detection range in m:
max. 12m when walking across (tangential)

Degree of protection/class:
IP 54 / Class II / CE

Dimensions: L103 x W78 x H80 mm
Ambient temperature: -25°C to +50°C

Housing: UV- and shock-resistant Polycarbonate

Chanel 1 for light control

Contact load: 2000 W, cosφ = 1, μ-Contact

Time-settings: 4 s - 20 min.
Brightness value: 2 - 2000 Lux

CE Declaration of Conformity:

This product respects the directives concerning
1. electromagnetic compatibility (2004/108/EU)
2. low voltage (2006/95/EU)
3. restriction of the use of certain hazardous substances in electrical and electronic equipment (2011/65/EU)

13. Article / Part nr. / Accessory

Article	Colour	Part.-nr.
LC-Click-N 140	white	93041
LC-Click-N 140	black	93061
LC-Click-N 140	brown	93051
LC-Click-N 200	white	93042
LC-Click-N 200	black	93062
LC-Click-N 200	brown	93052

Accessory:
Arc extinction kit 10880
Wire basket BSK 92467