



LUXOMAT[®] net PBM-DALISYS-4W

Description	Colour	Part number	EAN number
PBM-DALISYS-4W	white	92842	4007529928422



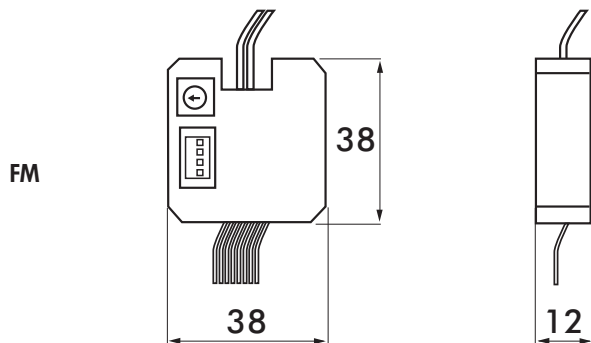
Accessory	Colour	Part number	EAN number
PS-DALISYS-USB-REG	white	92843	4007529928439

■ TECHNICAL DATA

Settings	DIP-switch, HEX-switch, B.E.G. BLE App, B.E.G. PC-Tools, B.E.G. DALI Router
Voltage:	10 - 22 V via DALI Bus
Power supply:	7 mA
Degree / class of protection:	IP20 / Class II / CE
Ambient temperature:	-25 °C to +50 °C
Housing:	Polycarbonate, UV-resistant
Cable length:	max. 50 cm
Time settings:	1 min - 150 min, staircase mode only

PRODUCT INFORMATION

- Binary DALI input device applicable for coming into operation in in-wall sockets
- 4 inputs for conventional push buttons, adjustable at will
- Seamless integration in B.E.G. LUXOMAT[®]net DALI SYSTEM
- Operating modes: Standard, staircase or scene mode
- Integrated LED to determine location of dismantled device
- Integrated buzzer to determine location of attached device
- DIP- and HEX-switch for quick commissioning with basic functionality
- Full range of functions can only be activated with other products of the product group B.E.G. LUXOMAT[®]net DALI SYSTEM.

DIMENSIONS DRAWING**WIRING DIAGRAM**