

**B.E.G.****LUXOMAT®net PD11-DALISYS-FLAT**

| Description          | Colour | Part number | EAN number    |
|----------------------|--------|-------------|---------------|
| PD11-DALISYS-FLAT-FC | white  | 92731       | 4007529927319 |



FC

| Accessory                       | Colour | Part number | EAN number    |
|---------------------------------|--------|-------------|---------------|
| In-wall mounting set 1 for PD11 | white  | 92832       | 4007529928323 |
| In-wall mounting set 2 for PD11 | white  | 92833       | 4007529928330 |
| PBM-DALISYS-4W                  | white  | 92842       | 4007529928422 |
| PS-DALISYS-USB-REG              | white  | 92843       | 4007529928439 |

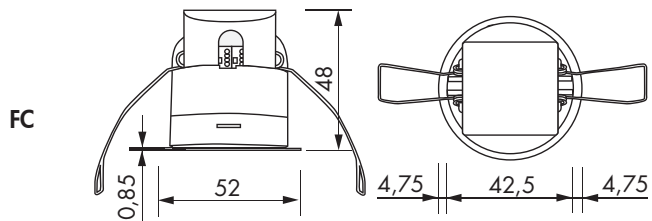
## ■ TECHNICAL DATA

|                                      |   |
|--------------------------------------|---|
| <b>Settings</b>                      | via DIP-switch, HEX-switch, B.E.G. BLE App, B.E.G. PC-Tools, B.E.G. DALI Router |
| <b>Voltage:</b>                      | 10 - 22 V via DALI Bus  |
| <b>typ. power input:</b>             | 7 mA  |
| <b>Detection area:</b>               | 360°  |
| <b>Range:</b>                        | max. Ø 9 m across<br>max. Ø 6 m towards<br>max. Ø 3 m small movements           |
| <b>Recommended mounting height:</b>  | 2.5 m   |
| <b>Degree / class of protection:</b> | IP20 / Class II / CE  |
| <b>Ambient temperature:</b>          | -25 °C to +50 °C  |
| <b>Housing:</b>                      | Polycarbonate, UV-resistant   |
| <b>Follow up time:</b>               | 1 sec - 120 min   |
| <b>Orientation light:</b>            | 5 % - 100 % / 1 min - 120 min / ∞   |
| <b>Brightness set value:</b>         | 10 - 2500 Lux   |

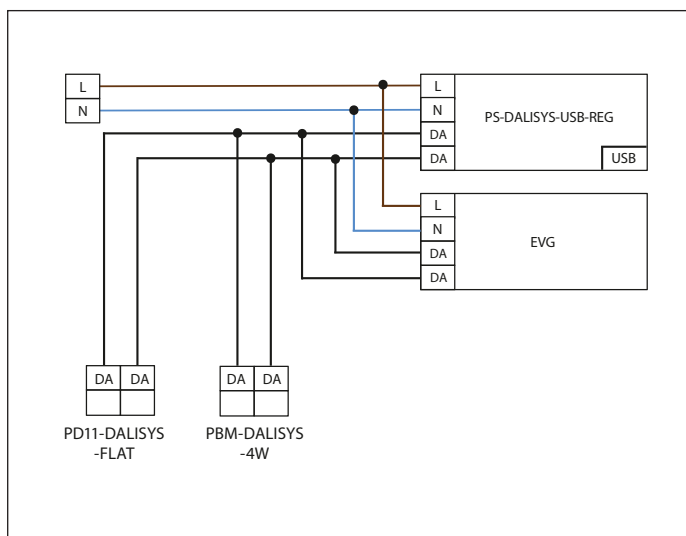
## **i** PRODUCT INFORMATION

- Low profile DALI multisensor (visible height: 0,85mm)
- Spring-clamps for easy and time-saving installation into false ceilings or directly built into light fittings, with accessory also suitable for in-wall sockets
- Seamless integration in B.E.G. LUXOMAT®net DALISYS®
- Multimaster-capable with Slave function
- Semi-automatic, full-automatic or twilight switch
- Integrated daylight harvesting circuit (or switch output)
- Guided Light, Soft-Start PLUS, Orientation light PLUS
- DIP- and HEX-switch for quick commissioning with basic functionality
- Works out-of-the box in broadcast mode for easy installation check
- Full range of functions can only be activated with other products of the product group B.E.G. LUXOMAT®net DALISYS®.

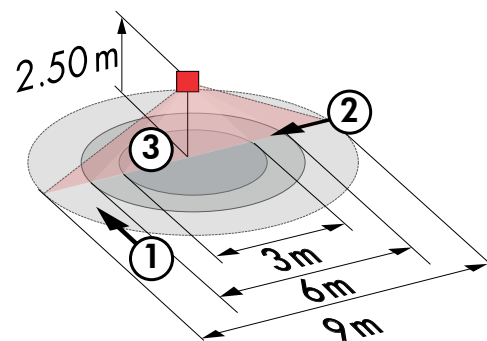
**DIMENSIONS DRAWING**



**WIRING DIAGRAM**



**RANGE DIAGRAM**



- ① Walking across
- ② Walking towards
- ③ Smaller movements