



LUXOMAT[®] net PD2N-KNX-BA

Description	Colour	Part number	EAN number
PD2N-KNX-BA-FC	white	93380	4007529933808
PD2N-KNX-BA-FM	white	93381	4007529933815



FC



FM

Accessory	Colour	Part number	EAN number
SM socle mounting set PD2N/4N-KNX-FM	white	93304	4007529933044
Wire basket BSK (Ø 200 x 90 mm)	white	92199	4007529921997

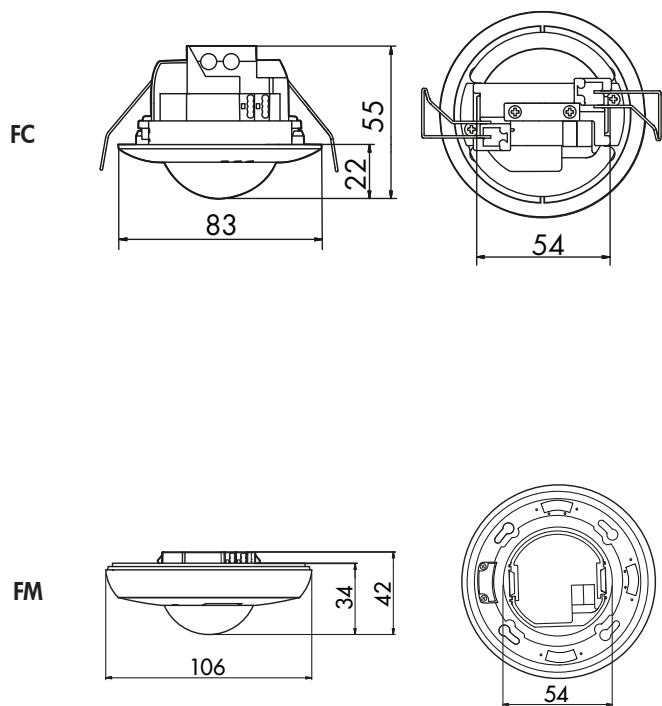
■ TECHNICAL DATA

Voltage:	24 V DC via KNX BUS
typ. power input:	12 mA
Detection area:	360°
Range:	max. Ø 10 m across max. Ø 6 m towards max. Ø 4 m smaller movements
Recommended mounting height:	2.5 m
Degree / class of protection:	FC= IP20 FM= IP20 / Class II
Operation mode:	Full automatic mode
Ambient temperature:	-5 °C to +45 °C
Housing:	Polycarbonate, UV-resistant
Number of light sensors:	1
Number of PIR sensors:	1
Outputs:	1 separate HVAC output 1x light (for switching)
Brightness set value:	5 - 1200 Lux

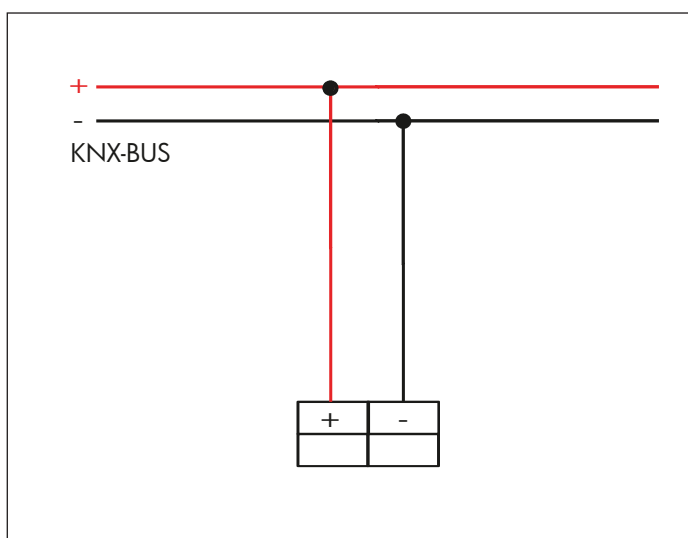
PRODUCT INFORMATION

- KNX occupancy detector with integrated KNX bus connector
- Individual adaption of the motion sensor sensitivity
- Measuring of mixed light thanks to internal light sensor
- One light output (switchable) and one separate HVAC output
- Various locking functions
- Status LEDs can be activated / deactivated
- Behaviour upon bus voltage return definable at choice
- Variable safety pause after switching off the lights
- Settings ex ETS 4 for integration in KNX systems
- The product database for import into the ETS database can be downloaded from the B.E.G. homepage.

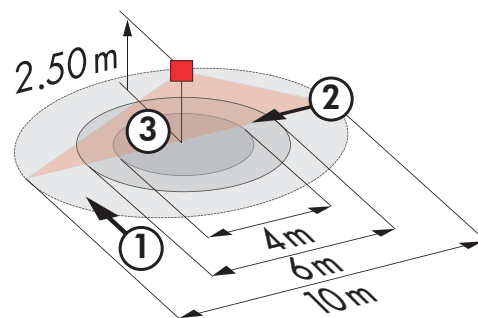
DIMENSIONS DRAWING



WIRING DIAGRAM



RANGE DIAGRAM



- ① Walking across
- ② Walking towards
- ③ Smaller movements