

B.E.G.**LUXOMAT®net PD4-DALISYS**

| Description | Colour | Part number | EAN number |
|----------------|--------|-------------|---------------|
| PD4-DALISYS-FC | white | 93375 | 4007529933754 |
| PD4-DALISYS-SM | white | 93379 | 4007529933792 |



FC



SM

| Accessory | Colour | Part number | EAN number |
|--------------------|--------|-------------|---------------|
| PS-DALISYS-USB-REG | white | 92843 | 4007529928439 |
| ROUTER-DALISYS-REG | white | 92850 | 4007529928507 |
| PBM-DALISYS-4W | white | 92842 | 4007529928422 |

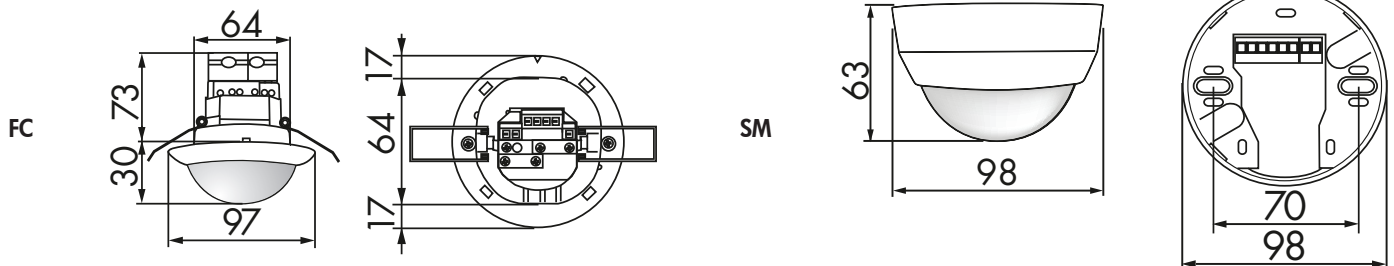
■ TECHNICAL DATA

| | |
|--------------------------------------|---|
| Settings | via DIP-switch, HEX-switch, B.E.G. BLE App, B.E.G. PC-Tools, B.E.G. DALI Router |
| Voltage: | 10 - 22 V via DALI Bus |
| typ. power input: | 7 mA |
| Detection area: | 360° |
| Range: | max. Ø 24 m across max. Ø 8 m towards max. Ø 6,4 m small movements |
| Recommended mounting height: | 2.5m |
| Degree / class of protection: | IP20 / Class II / CE |
| Ambient temperature: | -25 °C to +50 °C |
| Housing: | Polycarbonate, UV-resistant |
| Time settings: | 1 sec - 120 min |
| Orientation light: | 5 % - 100 % / 1 min - 120 min / ∞ |
| Lux value: | 5 - 1200 Lux |

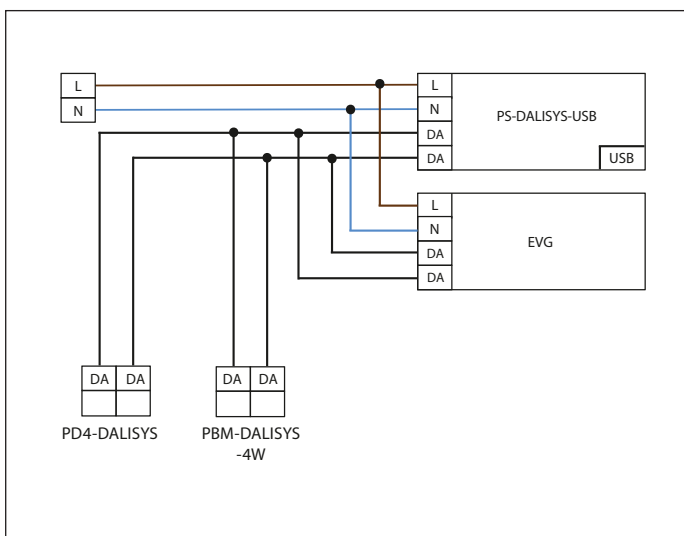
i PRODUCT INFORMATION

- Wide motion detection range DALI multisensor
- Seamless integration in B.E.G. LUXOMAT®net DALISYS®
- Multimaster-capable with Slave function
- Semi-automatic, full-automatic or twilight switch
- Integrated daylight harvesting circuit (or switch output)
- Guided Light, Soft-Start PLUS, Orientation light PLUS
- DIP- and HEX-switch for quick commissioning with basic functionality
- Works out-of-the box in broadcast mode for easy installation check
- Full range of functions can only be activated with other products of the product group B.E.G. LUXOMAT®net DALISYS®.
- False ceiling or surface mount version available

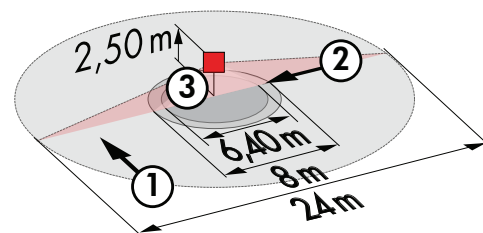
DIMENSIONS DRAWING



WIRING DIAGRAM



RANGE DIAGRAM



- ① Walking across
- ② Walking towards
- ③ Smaller movements