

Presence detectors DALI Compact

PD4-M-DALI/DSI-GH



, , Part No. 93015

Product Information

- DALI occupancy detector for surface mounting in large mounting heights
- External telescopic light sensor for a mounting height between 5 and 16m (mechanically adjustable) for measuring the light according to the application.
- DALI / DSI interface for control of digital dimmable electronic ballasts as a group
- Version as Master device
- Extension of the detection area with slave devices possible
- Manual switching and dimming via push button possible
- Additional functions can be set up using the optional remote control.
- Factory settings 10 min and 500 lux
- (in translation)
- Permanent or time-limited orientation light
- **When used in high-bay warehouses, care should be taken that, in the cross-aisles of the warehouse, detectors are installed that can detect movement only in the desired aisle locations, by using blinds or other technical arrangements.**
- **Application examples:**
monitoring of warehouses, high-bay storages , wherever at a great mounting height is necessary.

Technical Data

Voltage:	110 - 240 V AC 50 / 60 Hz
Dimensions:	Ø 101 x 76 mm
typ. power input:	4 mA

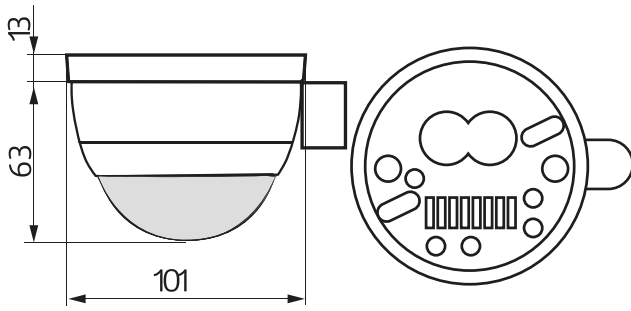
Power consumption:	0.9 W
Detection area:	vertical 360° oval
Range:	max. Ø 44 m across max. Ø 30 m towards
Monitored surface for tangential approach:	450 m ² / 14 m Mounting height
Mounting height min./max./recommended:	5 m / 16 m / 14 m
Degree / class of protection:	IP54 / Class II
Ambient temperature:	-25 °C to +50 °C
Housing:	Polycarbonate, UV-resistant
	Channel 1 (lighting control)
DALI output:	up to 50 DALI / DSI-EB
Follow-up time:	1 min - 30 min
Orientation light:	5 - 100 % / 1 min - 120 min / ∞
Brightness set value:	10 - 2500 Lux Mixed light measuring

Description

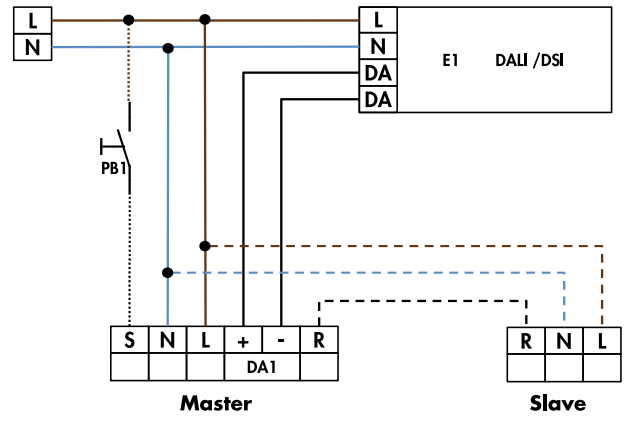
Description	Colour	Part number	EAN number
PD4-M-DALI/DSI-GH-SM		93015	4007529930159

Accessory

Description	Colour	Part number	EAN number
Wire basket BSK (Ø 200 x 90 mm)	white	92199	4007529921997
IR-Adapter for Smartphones	black	92726	4007529927265
PD4-S-GH	white	92265	4007529922659



Dimensions



Wiring diagram