

SafeLine Type B – Network Isolator Module

- Network Isolator module RJ45/u
- Rated Isolation Voltage 6kV AC
- 10/100/1000-BaseT Ethernet
- Suitable as accessory for medical devices
- Meets the requirements of IEC 60601-1:2005; EN 60601-1:X2006; IEC 60601-1-1
- Meets the requirements class D / Cat 5e according ISO/IEC 11801, EN 50173, TIA 568B



Classification

Manufacturer	Reichle & De-Massari
Product Name	SafeLine Type B
Ordering Code	R802145
Operating Mode	Continuous Operation
Protection Category	IP20
Marking	CE, UL (E336808), RoHS compliant
Meets the requirements of the IEC 60601-1:2005 standard for separators, with	2 Means of Patient Protection (MOPP)

Technical Data

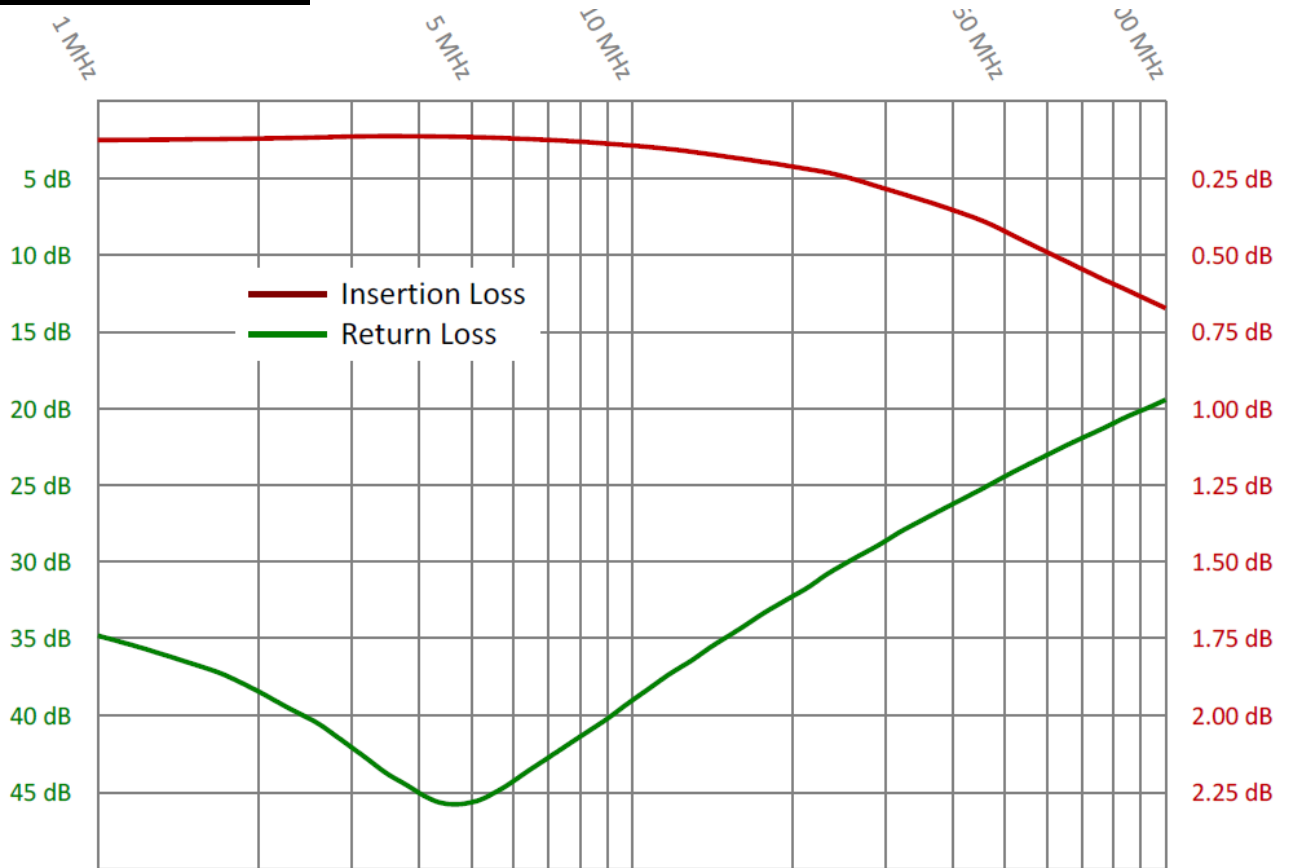
Rated Isolation Voltage		6kV AC
Connections		Front: RJ45 socket (8P8C) Back: CAT6 (UTP) with RJ45 Plug (8P8C)
Signal Attenuation	1 MHz < f < 31.25 MHz	< 0.5dB
	1 MHz < f < 100.0 MHz	< 1.0dB
Suitable for use in network environments according to		IEEE 803.2 10/100-BaseT IEEE 802.3ab 1000-BaseT Twisted Pair auto-conf
Dimensions WxHxD (without cable)		23x17.4x40.6mm
Cable length		200 mm (variant lengths on request)
Operating Conditions	Temperature	10°C to 45°C (34°F to 158°F)
	Relative humidity	10% to 90% (non-condensing)
	Air pressure	600 hPa to 1060 hPa
Storage and Transportation	Temperature	-10°C to 75°C (-13°F to 167°F)
	Relative humidity	10% to 90% (non-condensing)
	Air pressure	600 hPa to 1060 hPa
Suitable for use with		R&M module holders



Convincing cabling solutions

Reichle & De-Massari AG
 Binzstrasse 31
 CHE – 8622 Wetzikon
 Telephone CO: +41 44 933 81 11
 Telefax CO: +41 44 930 49 41
www.rdm.com

Insertion und Return Loss

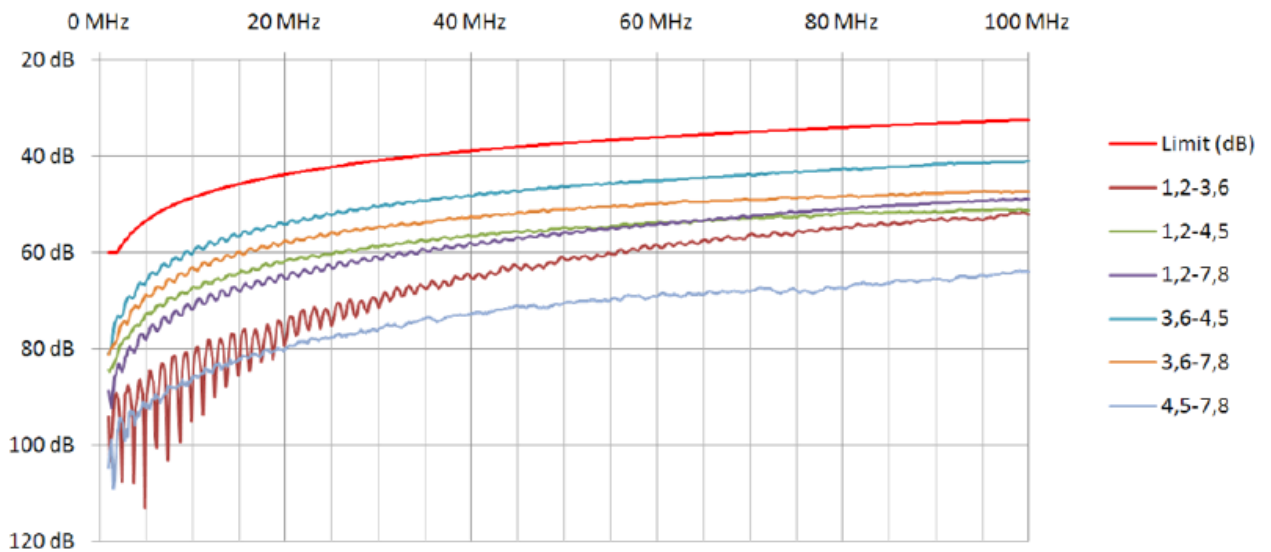


SafeLine Typ B-FDS measured with Fluke DTX-1800 Cable Analyzer

Next

NEXT for SafeLine Typ B + 90m R&M Cat7 cable

Limit from ISO 11801 Class D and TIA 568B, Cat.5e for Permanent Link



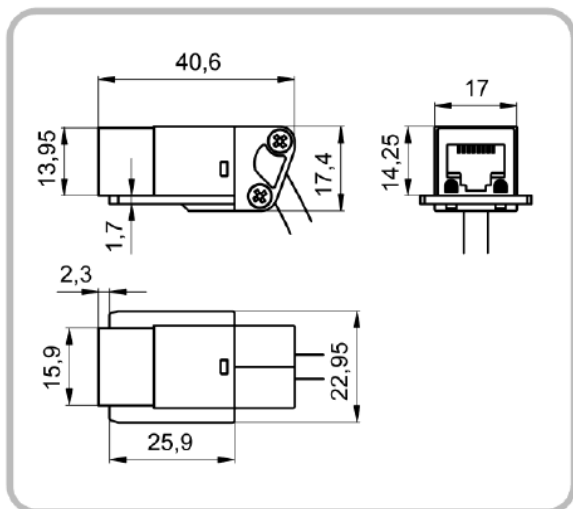
asdf



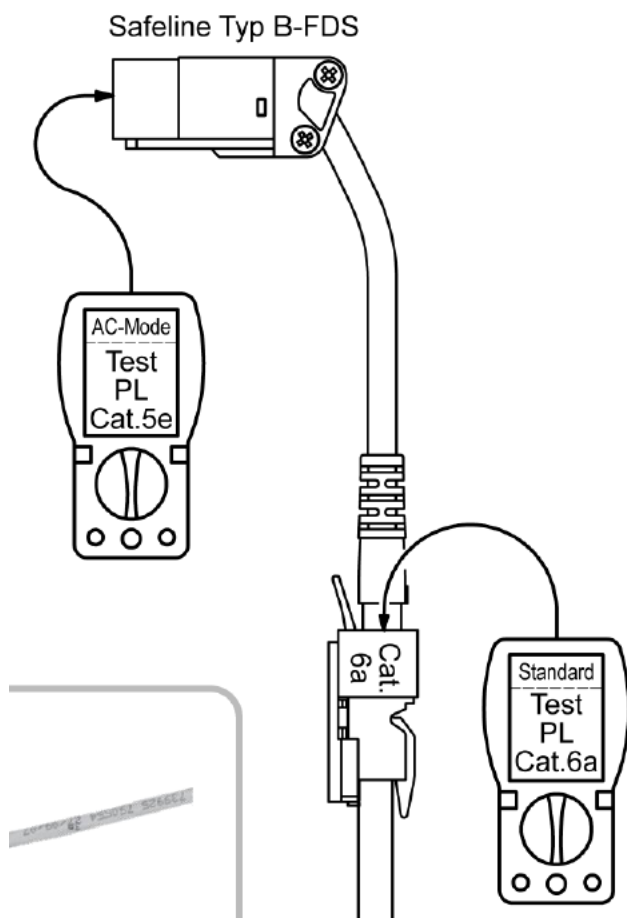
Convincing cabling solutions

Reichle & De-Massari AG
 Binzstrasse 31
 CHE – 8622 Wetzikon
 Telephone CO: +41 44 933 81 11
 Telefax CO: +41 44 930 49 41
www.rdm.com

Dimensions



Test Equipment



data sheet: 24.06.2013 / hc