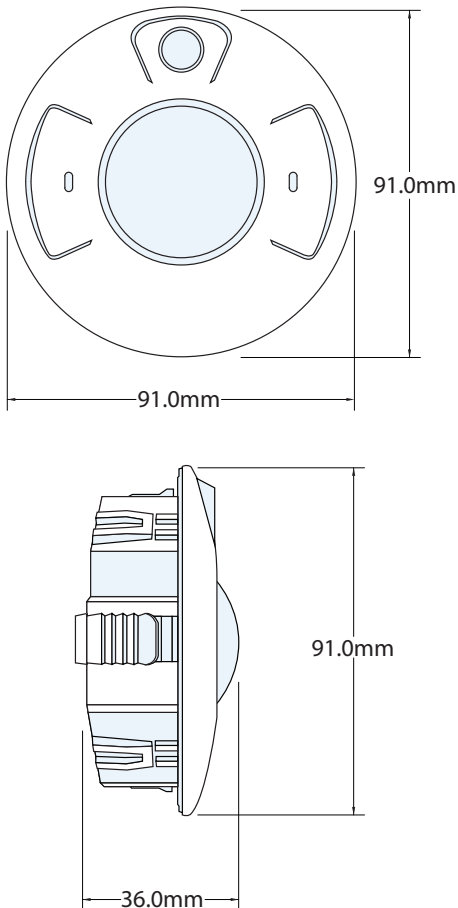


Introduction

The iLight DALI Multi-Sensor combines daylight sensing, occupancy detection and temperature measurement into a single device. The Multi-Sensor communicates over the Digital Addressable Lighting Interface (DALI) and allows for all device settings and groups to be adjusted remotely.

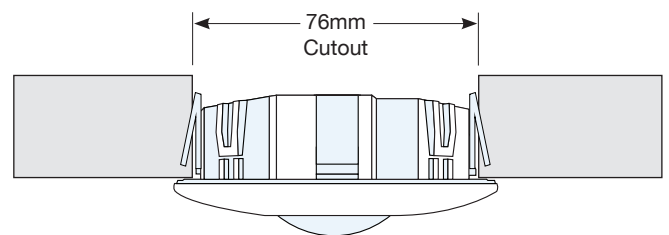
Dimensions



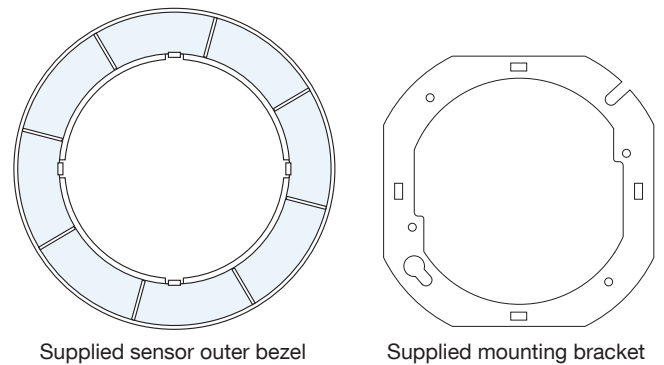
Mounting

The DALI sensor can either be recess mounted within the ceiling material or surface mounted utilising the supplied bracket and outer bezel in conjunction with octagonal mounting box: 665101 (Order separately).

Recess mounting in ceiling void



Surface mounting using junction box



665101 Junction Box
(Order separately)



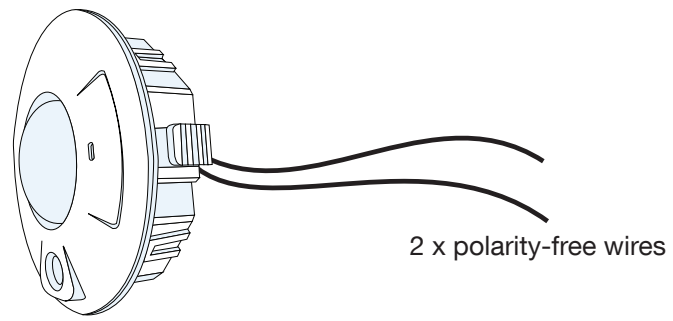
Complete assembly

Control wiring

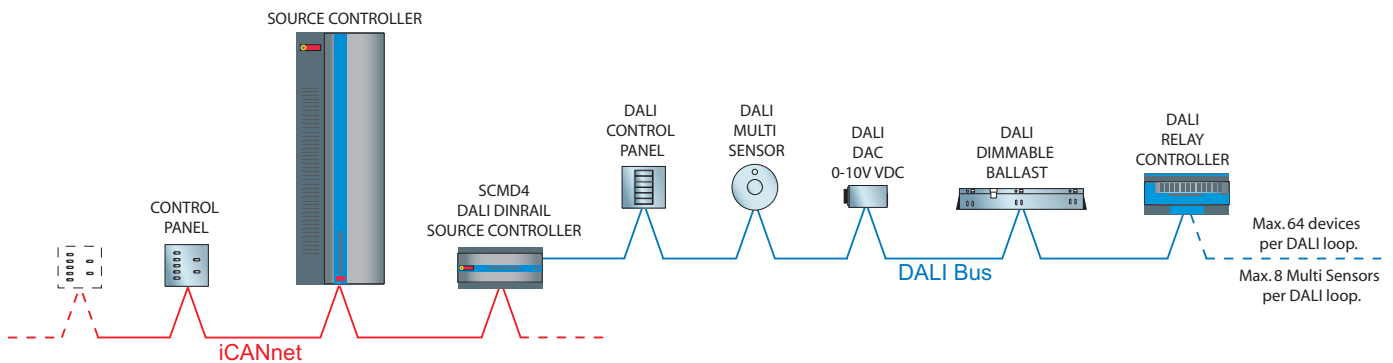
The DALI Control Panel is provided with 2 x polarity-free wires used to connect to the DALI line.

Standard Recommended DALI cabling: 2-core mains rated cable of minimum gauge 1.5 mm².

The total cable distance: 300m.



Typical DALI line schematic



Technical Information

Performance	Input Voltage: 9.5 - 22.5 VDC supplied by DALI communication bus Coverage: MTS6 = 55m ² or MTS12 = 110m ² at 2.4m ceiling height Occupancy Detection Technology: Passive Infrared (PIR) Lens Type: Multi-level Fresnel 360° Daylight Sensing Range: 0 to 400 lux Daylight Sensing Coverage: Light input within 60° cone Temperature Detection Range: 0°C to 40°C Status Indicator: LED Operating Environment: 0°C to 40°C For indoor use only Dimensions: 91mm x 91mm x 36mm
Wiring & Mounting	DALI: 0.75mm ² (18 AWG) stranded PTFE plenum rated non-polarized pair Mounting: 101.5mm (4") octagon junction box or 76mm (3") hole in ceiling tile
Control Specification	Communication Interface: Digital Addressable Lighting Interface (DALI) DALI Current Draw: 3.75mA Max number of DALI Multi Sensors per loop: 8
Standards	Manufactured in an ISO 9001 certified factory