

Pelée Pendant

Design: Cubo Architects



Pelée or Mount **PELÉE** is the name of an active volcano at the island of Martinique, the craters of which are formed by layers of lava and ashes.

It has inspired Cubo Architects in their design of the **PELÉE** luminaires, the concentric inner circles of which diffuse light in a pleasant and non-glaring way.

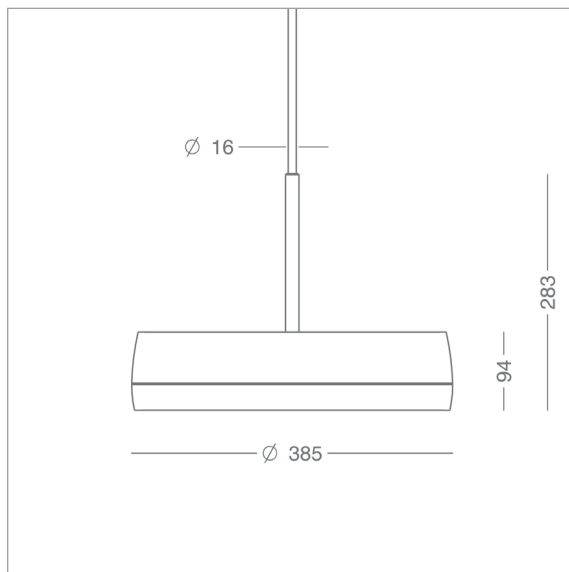
PELÉE comes with an exchangeable LED module. Due to the large number of diodes, the screen is evenly illuminated. Three curved uplights offer a spectacular supplement to the primary downwards light.



FOCUS-LIGHTING

Pelée Pendant

Design: Cubo Architects



Luminaire specification

Material:	aluminium
Coating:	white, black, or silver grey
Shade:	opal-white acrylate, PMMA
Lead:	3 m white PKLJ
Classification:	IP20, class I
Weight:	3.6 kg
Lamp type:	LED

LED and driver specification

LED:	324 mm board
Uplight:	3 curved strips
Total consumption:	17, 23, or 33 W (downwards) 22, 30, or 40 W (up and down)
Operational service:	min 50,000 hours at ta 25°C L80B10
Colour temperature:	2700, 3000 or 4000 Kelvin alt. 2700-6500 K tunable
Colour rendering:	min 90 Ra
Colour accuracy:	3 steps SDCM
Driver 17-30 W:	Helvar, 500-700 mA, dimming optional
Driver 33-40 W:	TCI, 950-1050 mA, incl. Dali

Product codes

PELÉE 385 pendant							
Item No.	Lamp type		Select colour, colour temperature, etc. in the table below.				
1840-	17 W LED, 500 mA						
1841-	23 W LED, 700 mA						
1844-	33 W LED, 1050 mA, incl. Dali						
PELÉE 385 pendant Uplight							
1842-	22 W LED, 500 mA						
1843-	30 W LED, 700 mA						
1845-	40 W LED, 950 mA, incl. Dali						
Combine with:	Colour	Shade options		Colour temperature		Dimming options	
	1 white	empty	acrylic, opalised	927	2700 K, 90 Ra	empty	no dimming
	9 silver grey	M	acrylic, prismatic	930	3000 K, 90 Ra	D	Dali
	66 noir 900			940	4000 K, 90 Ra	V	1-10 V
				9WD	TW, Dali, 90 Ra		
Example Item No.	1840-1927D = Pelée 385 pendant, 17 W, white, 2700 K 90 Ra, Dali dimming						