

# PEAK 380

Design: AART designers



**PEAK** is a new luminaire for arm or post top mounting. The luminaire is available in black and two grey variants suitable for galvanised standard poles. It is made of cast aluminium and clear glass, and due to its modular design, it can be adapted to the electronics required for the specific purpose.

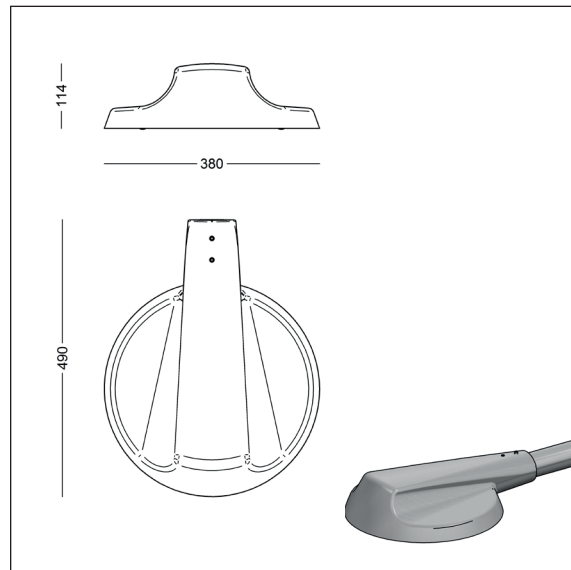
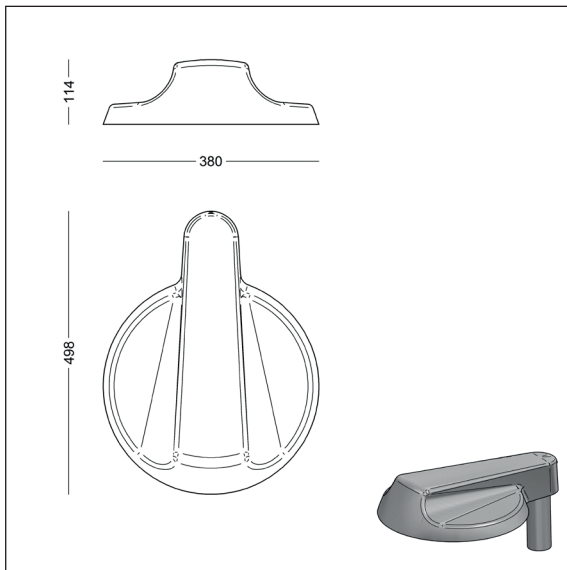
**PEAK** comes with LED with various lense types, appropriate for traffic roads, roundabouts, crossings, pedestrian areas, etc.



**FOCUS-LIGHTING**

# PEAK 380 - FASTFLEX, T3

Design: AART designers



## Luminaire specification:

Material:	Cast aluminium
Finish:	Graphite grey: SW302G (close to RAL 9007) Silver grey: MW300D Black: Noir 900 Sablé, SN351F
Shade:	3 mm hardened glass, coated on the edge
Mounting:	On pole, 60 or 76 mm top diameter, or on arm, 42, 48, or 60 mm
Connection:	In the pole The luminaire is delivered with lead according to pole height, 2 x 1 mm <sup>2</sup>
Classification:	IP66, class II
Impact resistance:	IK09
Corrosion class:	C4
Weight:	6-7 kg

## Lamp specification:

FastFlex LED:	FF-DA, T3 lenses, for local roads, P, HS, and C classes, 1, 2, or 3 modules
Operational life:	
up to 100 W:	min. 120,000 hours at ta max 25°, L80B10
100-160 W:	min. 100,000 hours at ta max 25°, L80B10
Temperature range:	-30 to +35° C
Colour temperature:	3000 or 4000 Kelvin
Colour rendering:	min 70 Ra, typically 75 Ra; 80 Ra optional
Colour accuracy:	4 steps SDCM
Luminous flux:	3000K: max 11000 lm, CLO 4000K: max 12000 lm, CLO
Luminous intensity:	G*4
Glare index class:	D6
Output ratio:	91%

## Driver specification:

**Driver, 1xFF:** Xitanium Full Xi FP 40 W 0.2-0.7 A, programmable  
Inrush current: max 22 A (50% after 290 µs)  
Operational input voltage: 198-264 Vac

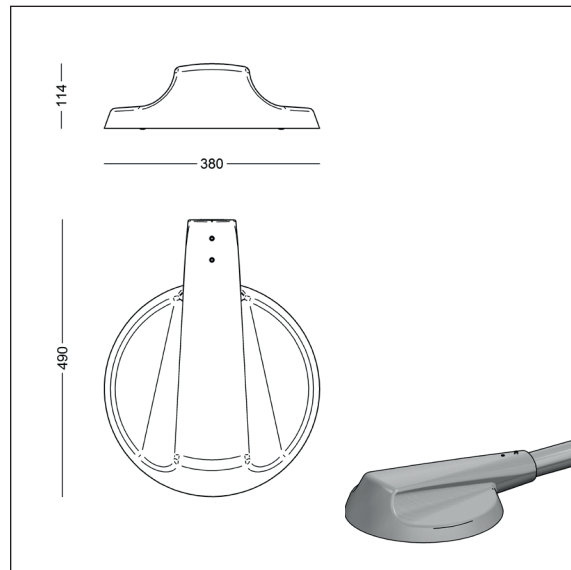
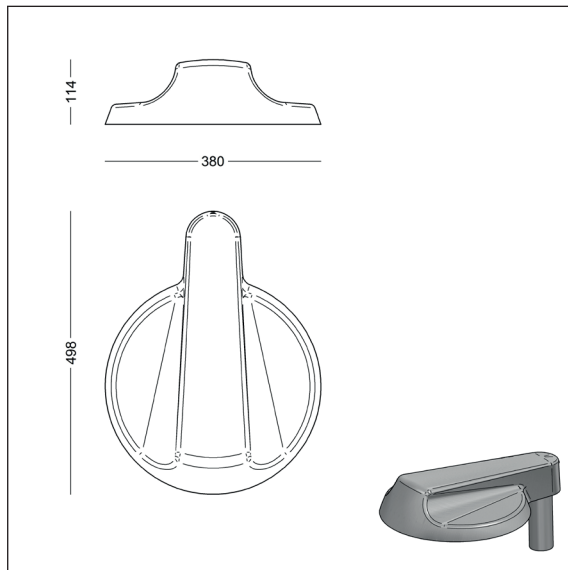
**Driver, 2xFF:** Xitanium Full Xi FP 75 W 0.2-0.7 A, programmable  
Inrush current: max 46 A (50% after 250 µs)  
Operational input voltage: 150-264 Vac

**Driver, 3xFF:** Xitanium Full Xi FP 150 W 0.2-0.7 A, programmable  
Inrush current: max 53 A (50% after 300 µs)  
Operational input voltage: 150-264 Vac

Nominal voltage, AC: 220-240 Vac  
Nominal voltage, DC: 186-250 Vdc  
Operational input voltage: 165-275 Vdc  
Nominal input frequency: 50-60 Hz  
Operational input frequency: 45-66 Hz  
Max preprotection: 16 A  
Surge protection: L/N-GND: 10 kV, L-N: 6 kV, (SR driver: 8 kV)  
Operational life: min 100,000 hours  
Dimming: 8-100% in time intervals or  
DALI (4-conductor cable), Line switch, AmpDim  
Alternatively: DALI via [Zhaga book 18\\_base](#)

# PEAK 380 - FASTFLEX, MEW

Design: AART designers



## Luminaire specification:

Material:	Cast aluminium
Finish:	Graphite grey: SW302G (close to RAL 9007) Silver grey: MW300D Black: Noir 900 Sablé, SN351F
Shade:	3 mm hardened glass, coated on the edge
Mounting:	On pole, 60 or 76 mm top diameter, or on arm, 42, 48, or 60 mm
Connection:	In the pole The luminaire is delivered with lead according to pole height, 2 x 1 mm <sup>2</sup>
Classification:	IP66, class II
Impact resistance:	IK09
Corrosion class:	C4
Weight:	6-7 kg

## Lamp specification:

FastFlex LED:	FF-DA, MEW lenses, for traffic roads, M classes, 1, 2, or 3 modules
Operational life:	
up to 100 W:	min. 120,000 hours at ta max 25°, L80B10
100-160 W:	min. 100,000 hours at ta max 25°, L80B10
Temperature range:	-30 to +35° C
Colour temperature:	3000 or 4000 Kelvin
Colour rendering:	min 70 Ra, typically 75 Ra; 80 Ra optional
Colour accuracy:	4 steps SDCM
Luminous flux:	3000K: max 11000 lm, CLO 4000K: max 12000 lm, CLO
Luminous intensity:	G*4
Glare index class:	D6
Output ratio:	96%

## Driver specification:

**Driver, 1xFF:** Xitanium Full Xi FP 40 W 0.2-0.7 A, programmable  
Inrush current: max 22 A (50% after 290 µs)  
Operational input voltage: 198-264 Vac

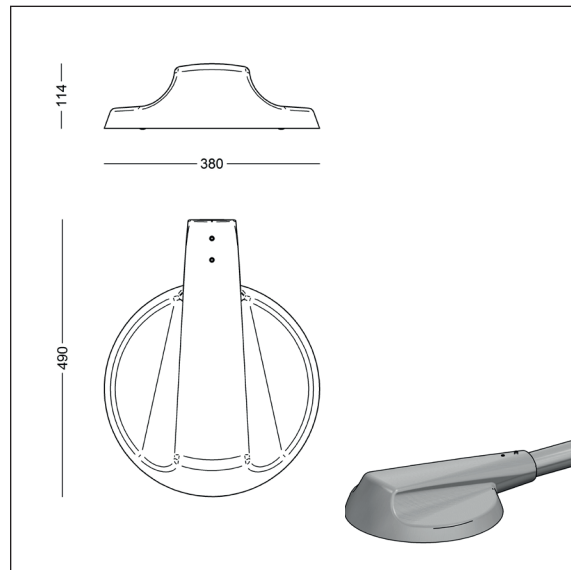
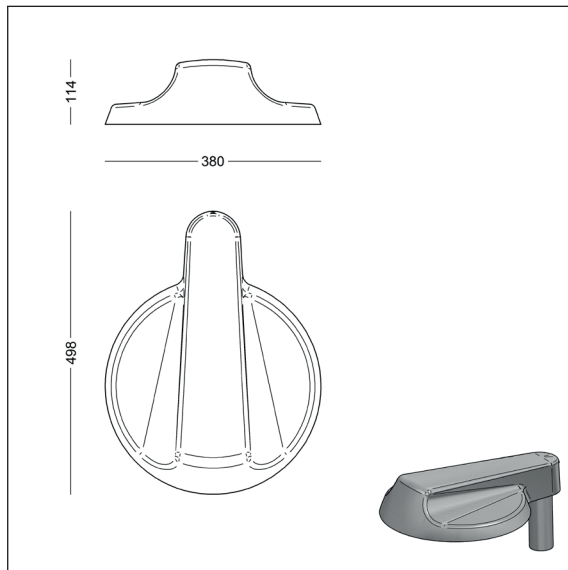
**Driver, 2xFF:** Xitanium Full Xi FP 75 W 0.2-0.7 A, programmable  
Inrush current: max 46 A (50% after 250 µs)  
Operational input voltage: 150-264 Vac

**Driver, 3xFF:** Xitanium Full Xi FP 150 W 0.2-0.7 A, programmable  
Inrush current: max 53 A (50% after 300 µs)  
Operational input voltage: 150-264 Vac

Nominal voltage, AC: 220-240 Vac  
Nominal voltage, DC: 186-250 Vdc  
Operational input voltage: 165-275 Vdc  
Nominal input frequency: 50-60 Hz  
Operational input frequency: 45-66 Hz  
Max preprotection: 16 A  
Surge protection: L/N-GND: 10 kV, L-N: 6 kV, (SR driver: 8 kV)  
Operational life: min 100,000 hours  
Dimming: 8-100% in time intervals or  
DALI (4-conductor cable), Line switch, AmpDim  
Alternatively: DALI via [Zhaga book 18\\_base](#)

# PEAK 380 - FASTFLEX, T4

Design: AART designers



## Luminaire specification:

Material:	Cast aluminium
Finish:	Graphite grey: SW302G (close to RAL 9007) Silver grey: MW300D Black: Noir 900 Sablé, SN351F
Shade:	3 mm hardened glass, coated on the edge
Mounting:	On pole, 60 or 76 mm top diameter, or on arm, 42, 48, or 60 mm
Connection:	In the pole The luminaire is delivered with lead according to pole height, 2 x 1 mm <sup>2</sup>
Classification:	IP66, class II
Impact resistance:	IK09
Corrosion class:	C4
Weight:	6-7 kg

## Lamp specification:

FastFlex LED:	FF-DA, T4 lenses, for roundabouts, 1, 2, or 3 modules
Operational life:	
up to 100 W:	min. 120,000 hours at ta max 25°, L80B10
100-160 W:	min. 100,000 hours at ta max 25°, L80B10
Temperature range:	-30 to +35° C
Colour temperature:	3000 or 4000 Kelvin
Colour rendering:	min 70 Ra, typically 75 Ra; 80 Ra optional
Colour accuracy:	4 steps SDCM
Luminous flux:	3000K: max 11000 lm, CLO 4000K: max 12000 lm, CLO
Luminous intensity:	G*4
Glare index class:	D6
Output ratio:	91%

## Driver specification:

**Driver, 1xFF:** Xitanium Full Xi FP 40 W 0.2-0.7 A, programmable  
Inrush current: max 22 A (50% after 290 µs)  
Operational input voltage: 198-264 Vac

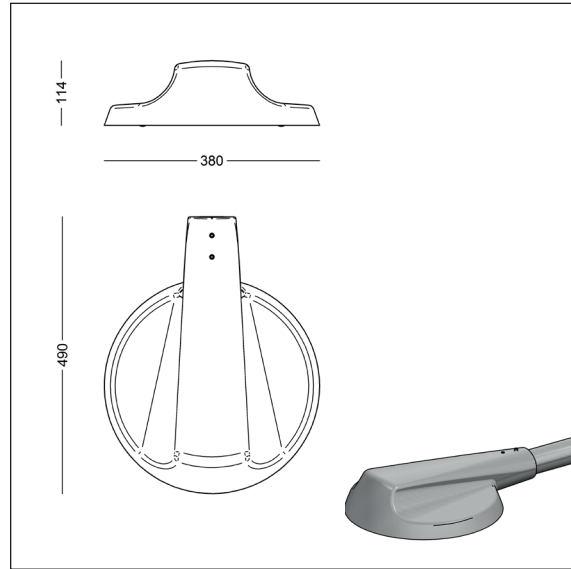
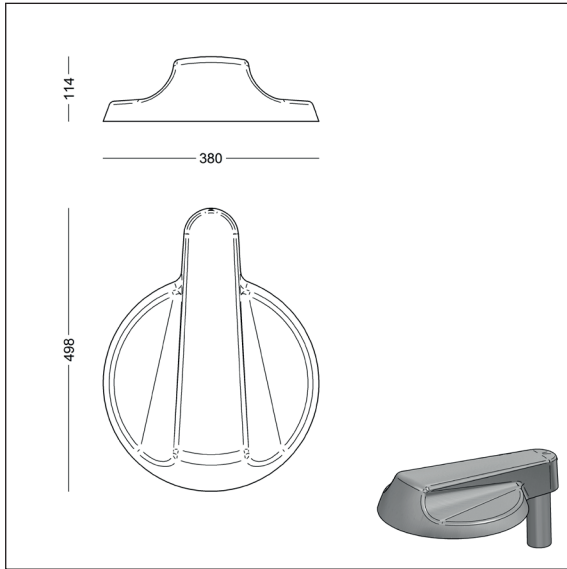
**Driver, 2xFF:** Xitanium Full Xi FP 75 W 0.2-0.7 A, programmable  
Inrush current: max 46 A (50% after 250 µs)  
Operational input voltage: 150-264 Vac

**Driver, 3xFF:** Xitanium Full Xi FP 150 W 0.2-0.7 A, programmable  
Inrush current: max 53 A (50% after 300 µs)  
Operational input voltage: 150-264 Vac

Nominal voltage, AC: 220-240 Vac  
Nominal voltage, DC: 186-250 Vdc  
Operational input voltage: 165-275 Vdc  
Nominal input frequency: 50-60 Hz  
Operational input frequency: 45-66 Hz  
Max preprotection: 16 A  
Surge protection: L/N-GND: 10 kV, L-N: 6 kV, (SR driver: 8 kV)  
Operational life: min 100,000 hours  
Dimming: 8-100% in time intervals or  
DALI (4-conductor cable), Line switch, AmpDim  
Alternatively: DALI via [Zhaga book 18\\_base](#)

# PEAK 380 - FASTFLEX, PX

Design: AART designers



## Luminaire specification:

Material:	Cast aluminium
Finish:	Graphite grey: SW302G (close to RAL 9007) Silver grey: MW300D Black: Noir 900 Sablé, SN351F
Shade:	3 mm hardened glass, coated on the edge
Mounting:	On pole, 60 or 76 mm top diameter, or on arm, 42, 48, or 60 mm
Connection:	In the pole The luminaire is delivered with lead according to pole height, 2 x 1 mm <sup>2</sup>
Classification:	IP66, class II
Impact resistance:	IK09
Corrosion class:	C4
Weight:	6-7 kg

## Lamp specification:

FastFlex LED:	FF-DA, PX lenses, for pedestrian crossings, 1, 2, or 3 modules
Operational life:	
up to 100 W:	min. 120,000 hours at ta max 25°, L80B10
100-160 W:	min. 100,000 hours at ta max 25°, L80B10
Temperature range:	-30 to +35° C
Colour temperature:	3000 or 4000 Kelvin
Colour rendering:	min 70 Ra, typically 75 Ra; 80 Ra optional
Colour accuracy:	4 steps SDCM
Luminous flux:	3000K: max 11000 lm, CLO 4000K: max 12000 lm, CLO
Luminous intensity:	G*4
Glare index class:	D6
Output ratio:	94%

## Driver specification:

**Driver, 1xFF:** Xitanium Full Xi FP 40 W 0.2-0.7 A, programmable  
Inrush current: max 22 A (50% after 290 µs)  
Operational input voltage: 198-264 Vac

**Driver, 2xFF:** Xitanium Full Xi FP 75 W 0.2-0.7 A, programmable  
Inrush current: max 46 A (50% after 250 µs)  
Operational input voltage: 150-264 Vac

**Driver, 3xFF:** Xitanium Full Xi FP 150 W 0.2-0.7 A, programmable  
Inrush current: max 53 A (50% after 300 µs)  
Operational input voltage: 150-264 Vac

Nominal voltage, AC: 220-240 Vac

Nominal voltage, DC: 186-250 Vdc

Operational input voltage: 165-275 Vdc

Nominal input frequency: 50-60 Hz

Operational input frequency: 45-66 Hz

Max preprotection: 16 A

Surge protection: L/N-GND: 10 kV, L-N: 6 kV, (SR driver: 8 kV)

Operational life: min 100,000 hours

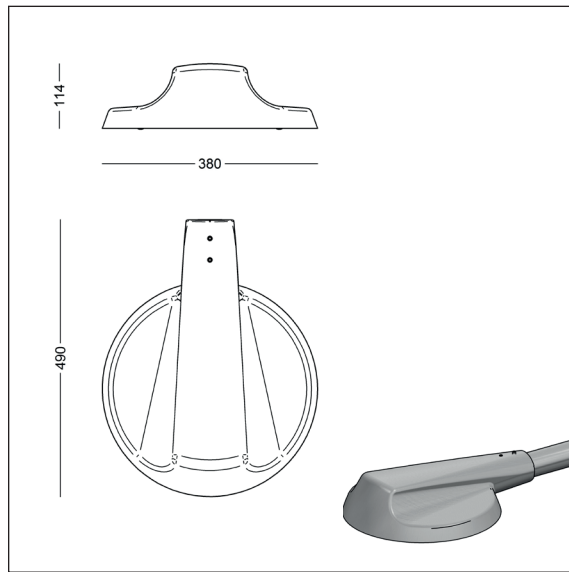
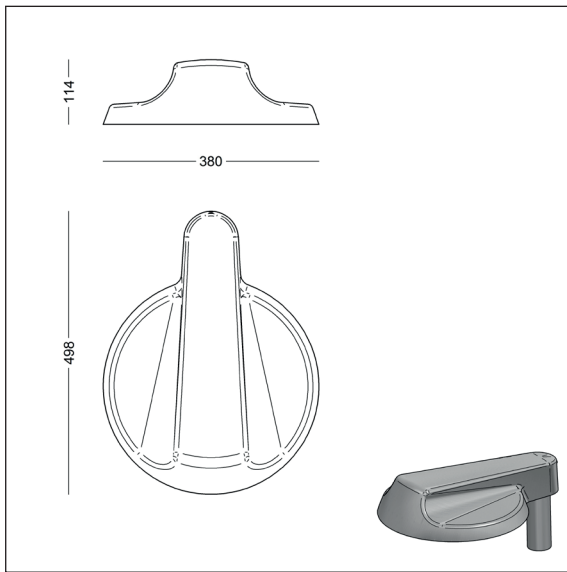
Dimming: 8-100% in time intervals or

DALI (4-conductor cable), Line switch, AmpDim

Alternatively: DALI via [Zhaga book 18\\_base](#)

# PEAK 380 LED FF-DA - ITEM NUMBERS

Design: AART designers



## Product codes:

PEAK 380 FastFlex LED with T3 lenses for local roads, P, HS, and C classes		
Item No.	LED	Select colour, colour temperature, etc. in the table below.
8950-	1xFF-DA, T3, max 4200 lm, programmable	
8951-	2xFF-DA, T3, max 8000 lm, programmable	
8952-	3xFF-DA, T3, max 12000 lm, programmable	

PEAK 380 FastFlex LED with MEW lenses for traffic roads, M classes		
Item No.	LED	Select colour, colour temperature, etc. in the table below.
8970-	1xFF-DA, MEW, max 4200 lm, programmable	
8971-	2xFF-DA, MEW, max 8000 lm, programmable	
8973-	3xFF-DA, MEW, max 12000 lm, programmable	

PEAK 380 FastFlex LED with T4 lenses for roundabouts and wide roads		
Item No.	LED	Select colour, colour temperature, etc. in the table below.
8955-	1xFF-DA, T4, max 4200 lm, programmable	
8956-	2xFF-DA, T4, max 8000 lm, programmable	
8957-	3xFF-DA, T4, max 12000 lm, programmable	

PEAK 380 FastFlex LED with PX lenses for pedestrian crossings		
Item No.	LED	Select colour, colour temperature, etc. in the table below.
8980-	1xFF-DA, PX, max 4200 lm, programmable	
8981-	2xFF-DA, PX, max 8000 lm, programmable	
8982-	3xFF-DA, PX, max 12000 lm, programmable	

Combine with:	Colour	Colour temperature	Mounting	Control
	4 graphite grey	730 3000 K, 70 Ra	T post top	empty programmable
	9 silver grey	740 4000 K, 70 Ra	U for arm	D Dali
	66 noir 900	830* 3000 K, 80 Ra	G housing penetrated	F fase (Line switch)
		840* 4000 K, 80 Ra	G76 penetration Ø76	Z voltage (AmpDim)
		* Longer lead times		R base Zhaga book 18 incl. SR driver
Example:	8952-9740T = Peak 380 3xFF-DA, T3, silver grey, 4000 K 70 Ra, top mounting			