

# WAY - SHOWING THE WAY

Design: AART designers



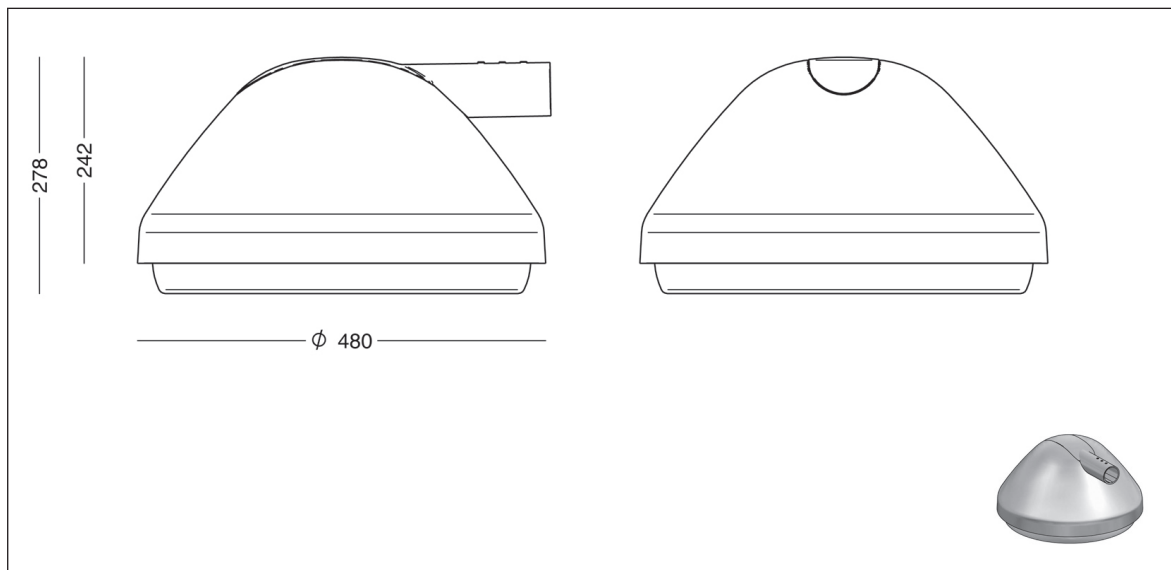
**WAY** is new in our range of street luminaires and is designed the Nordic way to avoid light pollution and glaring.

The flexible luminaire is available for top or side entry. It is made in cast aluminium with shade in clear, impact resistant PMMA (acrylate). The shade is parallel to the ground but has a protuberant, frosted edge, which will enhance optical guidance. Due to the unique design of the shade, glaring is minimized.

**WAY** is available with circular or square LED boards with lens types for various applications. The luminaire fulfills European standards for street lighting.

# WAY - SIDE ENTRY - FASTFLEX, T3

Design: AART designers



## Luminaire specification:

Material:	Cast aluminium
Finish:	Graphite grey: SW302G (close to RAL 9007) Silver grey: MW300D Corten brown: Mars 2525 YX355F Black: Noir 900 Sablé, SN351F
Shade:	Clear, impact-resistant PMMA, coated on the edge
Mounting:	Side entry: $\varnothing$ 48 mm
Connection:	In the pole The luminaire is delivered with lead: 10.5 m $2 \times 1$ mm <sup>2</sup>
Classification:	IP66, class II
Impact resistance:	IK10
Corrosion class:	C4
Weight:	max 11 kg
Wind sweeping area:	0.11 m <sup>2</sup> (laterally)

## LED specification:

FastFlex LED:	3xFF-DA 2x6 or 4xFF-DA 2x8 with T3 lenses for local roads, P, HS, and C classes
Operational life:	min. 100,000 hours at $t_a$ max 25°, L80B10
Temperature range:	-30 to +35° C
Colour temperature:	3000 or 4000 Kelvin
Colour rendering:	min 70 Ra, typically 75 Ra; 80 Ra optional
Colour accuracy:	4 steps SDCM
Luminous flux 3xFF:	3000K: min 3365, max 8360 lm, CLO 4000K: min 3630, max 9045 lm, CLO
Luminous flux 4xFF:	3000K: min 5980, max 14870 lm, CLO 4000K: min 6390, max 16080 lm, CLO
Output ratio:	81%

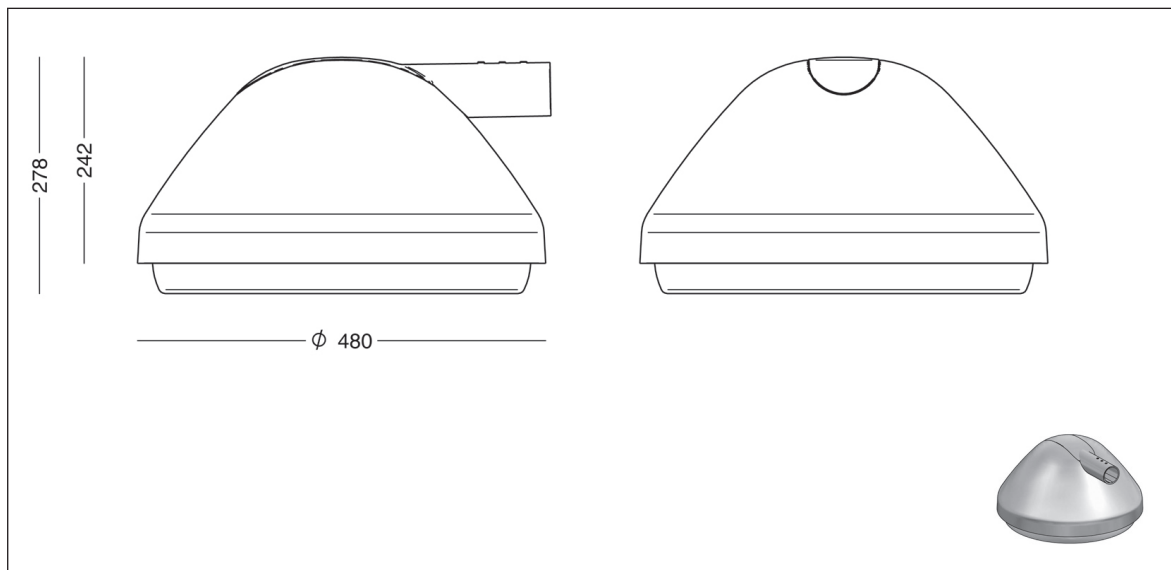
## Driver specification:

<b>Driver 3xFF:</b>	Xitanium Full Xi FP 75 W 0.2-0.7 A, programmable Inrush current: max 46 A (50% after 250 $\mu$ s)
<b>Driver 4xFF:</b>	Xitanium Full Xi FP 150 W 0.2-0.7 A, programmable Inrush current: max 53 A (50% after 300 $\mu$ s)

Operational input voltage:	150-264 Vac
Nominal voltage, AC:	220-240 Vac
Nominal voltage, DC:	186-250 Vdc
Operational input voltage:	165-275 Vdc
Nominal input frequency:	50-60 Hz
Operational input frequency:	45-66 Hz
Max preprotection:	16 A
Surge protection:	L/N-GND: 10 kV, (SR driver: 8 kV) L-N: 6 kV
Operational life:	min 100,000 hours
Dimming/control:	8-100% in time intervals or DALI (4-conductor cable) Line switch, AmpDim
Alternatively:	DALI via <u>Zhaga book 18</u> socket

# WAY - SIDE ENTRY FASTFLEX, T4

Design: AART designers



## Luminaire specification:

Material:	Cast aluminium
Finish:	Graphite grey: SW302G (close to RAL 9007) Silver grey: MW300D Corten brown: Mars 2525 YX355F Black: Noir 900 Sablé, SN351F
Shade:	Clear, impact-resistant PMMA, coated on the edge
Mounting:	Side entry: Ø 48 mm
Connection:	In the pole The luminaire is delivered with lead: 10.5 m 2 x 1 mm <sup>2</sup>
Classification:	IP66, class II
Impact resistance:	IK10
Corrosion class:	C4
Weight:	max 11 kg
Wind sweeping area:	0.11 m <sup>2</sup> (laterally)

## LED specification:

FastFlex LED:	3xFF-DA 2x6 or 4xFF-DA 2x8 with T4 lenses for roundabouts
Operational life:	min. 100,000 hours at ta max 25°, L80B10
Temperature range:	-30 to +35° C
Colour temperature:	3000 or 4000 Kelvin
Colour rendering:	min 70 Ra, typically 75 Ra; 80 Ra optional
Colour accuracy:	4 steps SDCM
Luminous flux 3xFF:	3000K: min 3365, max 8360 lm, CLO 4000K: min 3630, max 9045 lm, CLO
Luminous flux 4xFF:	3000K: min 5980, max 14870 lm, CLO 4000K: min 6390, max 16080 lm, CLO
Output ratio:	79%

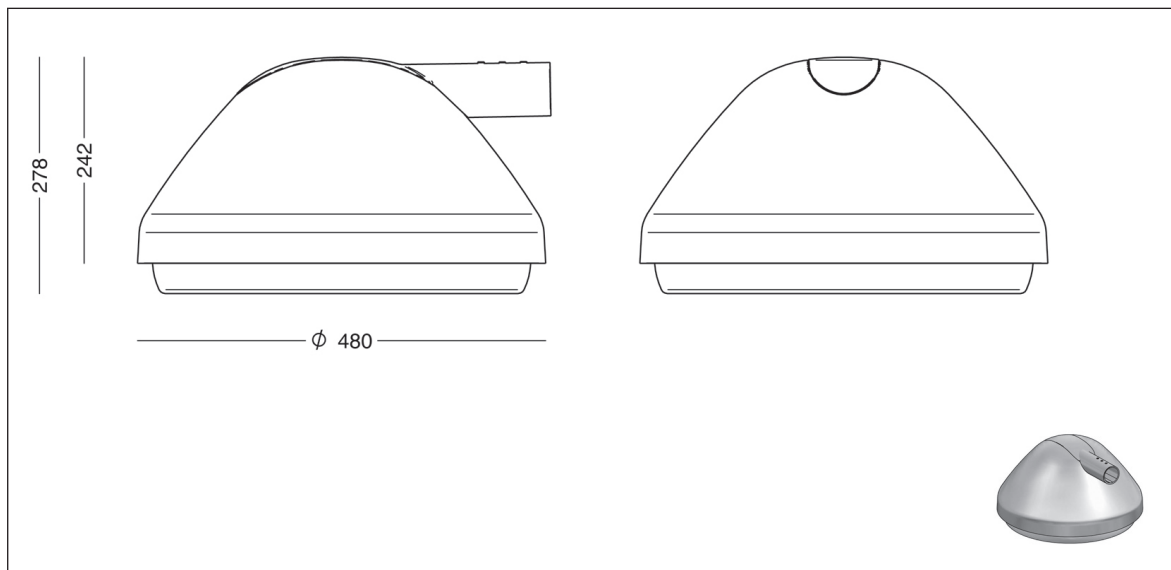
## Driver specification:

<b>Driver 3xFF:</b>	Xitanium Full Xi FP 75 W 0.2-0.7 A, programmable Inrush current: max 46 A (50% after 250 µs)
<b>Driver 4xFF:</b>	Xitanium Full Xi FP 150 W 0.2-0.7 A, programmable Inrush current: max 53 A (50% after 300 µs)

Operational input voltage:	150-264 Vac
Nominal voltage, AC:	220-240 Vac
Nominal voltage, DC:	186-250 Vdc
Operational input voltage:	165-275 Vdc
Nominal input frequency:	50-60 Hz
Operational input frequency:	45-66 Hz
Max preprotection:	16 A
Surge protection:	L/N-GND: 10 kV, (SR driver: 8 kV) L-N: 6 kV
Operational life:	min 100,000 hours
Dimming/control:	8-100% in time intervals or DALI (4-conductor cable) Line switch, AmpDim
Alternatively:	DALI via <u>Zhaga book 18</u> socket

# WAY - SIDE ENTRY FASTFLEX, MEW

Design: AART designers



## Luminaire specification:

Material:	Cast aluminium
Finish:	Graphite grey: SW302G (close to RAL 9007) Silver grey: MW300D Corten brown: Mars 2525 YX355F Black: Noir 900 Sablé, SN351F
Shade:	Clear, impact-resistant PMMA, coated on the edge
Mounting:	Side entry: Ø 48 mm
Connection:	In the pole The luminaire is delivered with lead: 10.5 m 2 x 1 mm <sup>2</sup>
Classification:	IP66, class II
Impact resistance:	IK10
Corrosion class:	C4
Weight:	max 11 kg
Wind sweeping area:	0.11 m <sup>2</sup> (laterally)

## LED specification:

FastFlex LED:	3xFF-DA 2x6 or 4xFF-DA 2x8 with MEW lenses for traffic roads, M classes
Operational life:	min. 100,000 hours at ta max 25°, L80B10
Temperature range:	-30 to +35° C
Colour temperature:	3000 or 4000 Kelvin
Colour rendering:	min 70 Ra, typically 75 Ra; 80 Ra optional
Colour accuracy:	4 steps SDCM
Luminous flux 3xFF:	3000K: min 3365, max 8360 lm, CLO 4000K: min 3630, max 9045 lm, CLO
Luminous flux 4xFF:	3000K: min 5980, max 14870 lm, CLO 4000K: min 6390, max 16080 lm, CLO
Output ratio:	81%

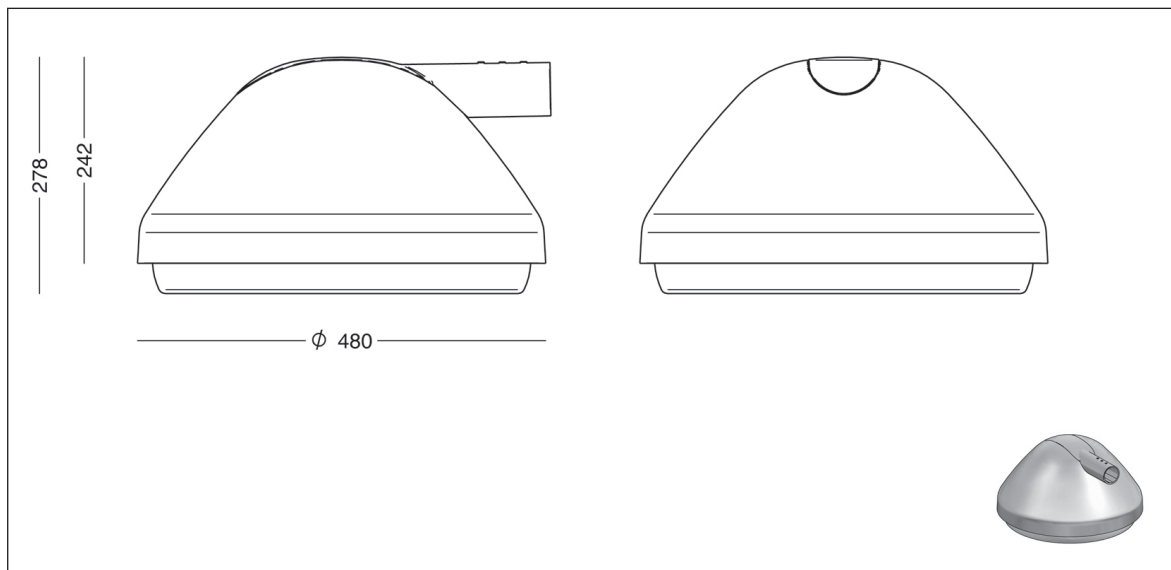
## Driver specification:

<b>Driver 3xFF:</b>	Xitanium Full Xi FP 75 W 0.2-0.7 A, programmable Inrush current: max 46 A (50% after 250 µs)
<b>Driver 4xFF:</b>	Xitanium Full Xi FP 150 W 0.2-0.7 A, programmable Inrush current: max 53 A (50% after 300 µs)

Operational input voltage:	150-264 Vac
Nominal voltage, AC:	220-240 Vac
Nominal voltage, DC:	186-250 Vdc
Operational input voltage:	165-275 Vdc
Nominal input frequency:	50-60 Hz
Operational input frequency:	45-66 Hz
Max preprotection:	16 A
Surge protection:	L/N-GND: 10 kV, (SR driver: 8 kV) L-N: 6 kV
Operational life:	min 100,000 hours
Dimming/control:	8-100% in time intervals or DALI (4-conductor cable) Line switch, AmpDim
Alternatively:	DALI via <a href="#">Zhaga book 18</a> socket

# WAY - SIDE ENTRY - PRODUCT CODES

Design: AART designers



## Product codes:

WAY side entry, FF-DA board with T3 lenses								
Item Nos.	Lamp type		Select colour, colour temperature, etc. in the table below.					
9810-	LED 3xFF-DA 2x6, T3, max 9000 lm, programmable, 10.5 m lead							
9812-	LED 4xFF-DA 2x8, T3, max 16000 lm, programmable, 10.5 m lead							
WAY side entry, FF-DA board with T4 lenses								
Item Nos.	Lamp type		Select colour, colour temperature, etc. in the table below.					
9813-	LED 3xFF-DA 2x6, T4, max 9000 lm, programmable, 10.5 m lead							
9814-	LED 4xFF-DA 2x8, T4, max 16000 lm, programmable, 10.5 m lead							
WAY side entry, FF-DA board with MEW lenses								
Item Nos.	Lamp type		Select colour, colour temperature, etc. in the table below.					
9815-	LED 3xFF-DA 2x6, MEW, max 9000 lm, programmable, 10.5 m lead							
9816-	LED 4xFF-DA 2x8, MEW, max 16000 lm, programmable, 10.5 m lead							
Combine with:	Colour		Colour temperature		Dimming/control		Protection class	
	4	graphite grey	730	3000 K, 70 Ra	empty	programmable	empty	class II
	9	silver grey	740	4000 K, 70 Ra	D	Dali	J	class I
	17	corten brown	830	3000 K, 80 Ra	F	phase (Line switch)		
	66	noir 900	840	4000 K, 80 Ra	R	socket incl. SR driver, Zhaga book 18		
Example:	9810-9740R = WAY for side entry, 3 x FF-DA, lens type T3, silver grey, 4000 K 70 Ra, 10.5 m lead , with Zhaga book 18 base							