

# Sky Park

Design: AART designers



In cooperation with AART designers we have developed **SKY**, a new park luminaire in a contemporary design. The light source, LED, is placed at the bottom of the luminaire, and the indirect light, reflected by the arched roof, is soft and pleasant.

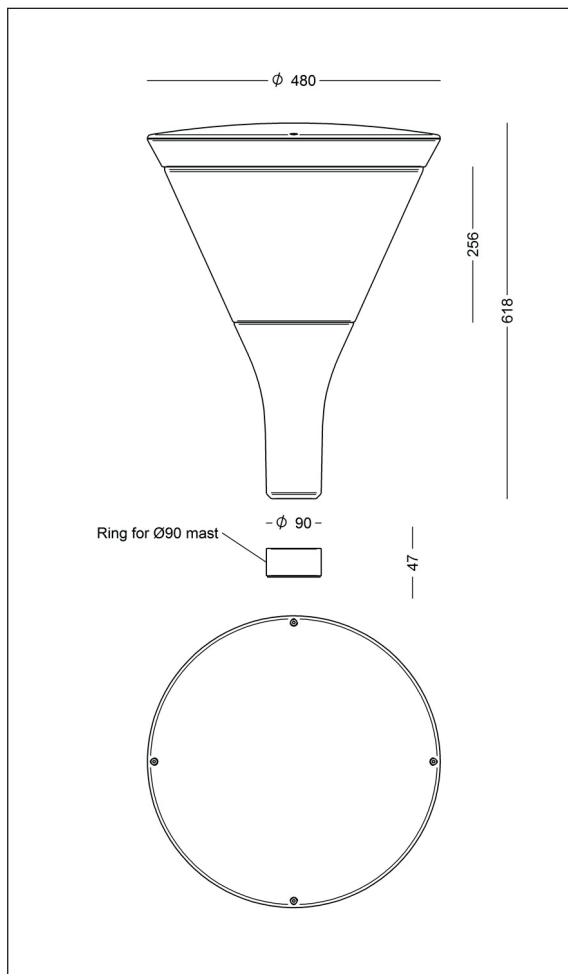
The form of the luminaire, reaching for the sky, with the arched roof top has led to the name **SKY**. Light is reflected and comes from above - from the sky.



**FOCUS-LIGHTING**

# Sky Park

Design: AART designers



## Luminaire specification:

Material:	Cast aluminium
Finish:	Graphite grey: SW302G (close to RAL 9007) Silver grey: MW300D Corten brown: YX355F Mars 2525 Black: Noir 900 Sablé SN351F
Diffuser:	Clear polycarbonate with UV-resistant acrylic. Option for screen for asymmetrical light.
Mounting:	On pole with 60 mm top diameter, or on Ø90 mm pole with H100 mm top pipe (requires connection piece) 4 m PKL lead 2 x 1 mm <sup>2</sup> included
Connection:	In the pole
Classification:	IP66, class II
Impact resistance:	IK10
Corrosion resistance:	C4
Weight:	8.4 kg
Wind sweeping area:	0.143 m <sup>2</sup> (laterally)
Lamp type:	LED


## LED and driver specification:

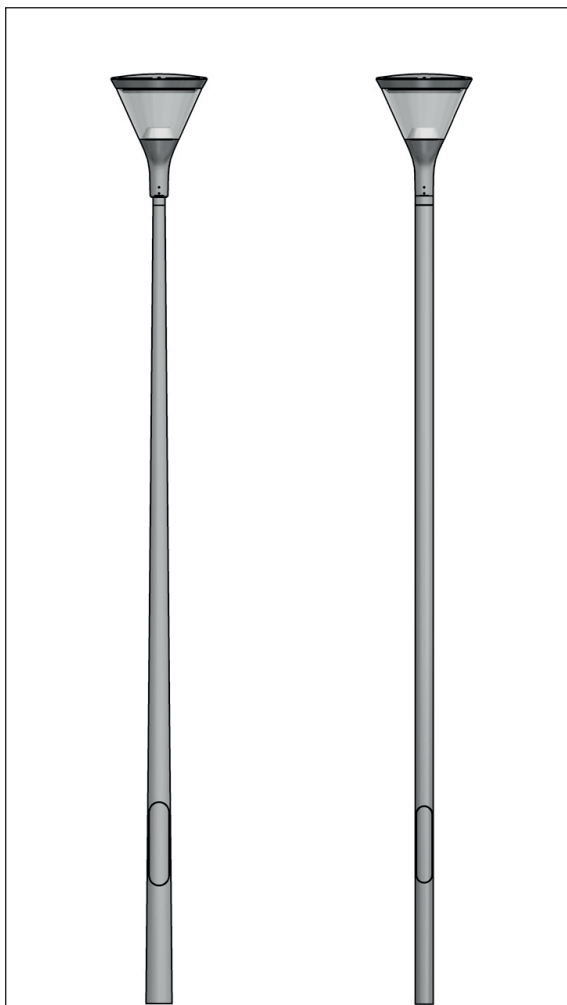
LED:	Bridgelux VERO 18
Service life:	min 100,000 hours at ta max 25°C L80B10
Colour temperature:	2700, 3000, or 4000 Kelvin
Colour rendering:	min 80 Ra, typically 85 Ra
Colour accuracy:	3 steps SDCM
Luminous power:	2700K: 1550-4550 lm, CLO 3000K: 1650-4800 lm, CLO 4000K: 1700-4900 lm, CLO
Luminous intensity class:	G*1
Glare index class:	D6
Output ratio:	rotation symmetrical: 74% asymmetrical: 51%
Driver:	Xitanium Full Xi FP 40 W 0.3-1.0 A programmable
Inrush current:	max 22 A (50% after 290 µs)
Surge protection:	L/N-GND: 10 kV, (SR driver: 8 kV) L-N: 6 kV
Service life:	min 100,000 hours
Dimming:	Programming range 15-100% DALI (4-conductor cable) phase (Line switch) voltage (AmpDim)
Alternatively:	DALI via Zhaga book 18 socket

# Sky Park

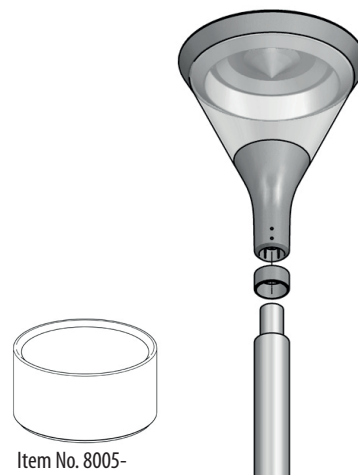
Design: AART designers

## Product codes

SKY Park LED					
Item No.	Lamp type		Select colour and colour temperature in the table below.		
8833-	LED Bridgelux VERO 18, max 4900 lm, programmable, 4 m lead				
To be combined with	Colour	Colour temperature		Dimming/control	
	4	graphite grey	827	2700 K, 80 Ra	
	9	silver grey	830	3000 K, 80 Ra	
	17	corten brown	840	4000 K, 80 Ra	
	66	noir 900		R	socket and SR driver Zhaga book 18
Example of product code:	8833-9830 = Sky Park LED, silver grey, 3000 K 80 Ra, max 4800 lm, programmable				
Optional					
1713-	Adapter for Ø76 mm column - select colour above.				
8005-	Connection ring for Ø90 mm column - select colour above.				
8006-	Screen for asymmetrical light - powder-coated aluminium - select colour above.				
					Item No. 8006-
Columns, Ø90 mm with Ø60 top					
Item No.	Height		Select colour in the table below.		
3150-	3 meter column				
3151-	3,5 meter column				
3152-	4 meter column				
50202	Rooted base for columns Ø 62-90 mm				
To be combined with	Colour	Optional: Fuse box for 90 mm pole			
	4	graphite grey	Item No.	Type	Capacity
	7	galvanised	6949	DI Euro Mini	max 3 of 4 x 10 or 2 of 4 x 16 mm <sup>2</sup>
	9	silver grey	50279	Nipa HSW 1194	max 5 of 5 x 6 mm <sup>2</sup>
	17	corten brown			
	66	noir 900			



Connection ring for 90 mm column to be ordered separately.



SKY can be mounted on different pole types under the condition that the top pipe is Ø60 x H100 mm.

Two examples:

1. conical pole with 100 mm top pipe Ø60
2. cylindrical 90 mm pole with 100 mm top pipe Ø60  
+ connection ring - observe: conical opening upwards

For the cylindrical 90 mm pole, the connection ring, item No. 8005- is required. Please note that only selected fuse boxes can be used. Two types are recommended as options above.

# Sky Park - with glare control 140°

Design: AART designers



**FOCUS-LIGHTING**

Find our sales partner in your country under Contacts at [www.focus-lighting.dk](http://www.focus-lighting.dk)