

XOOMINAIRE™ 4262





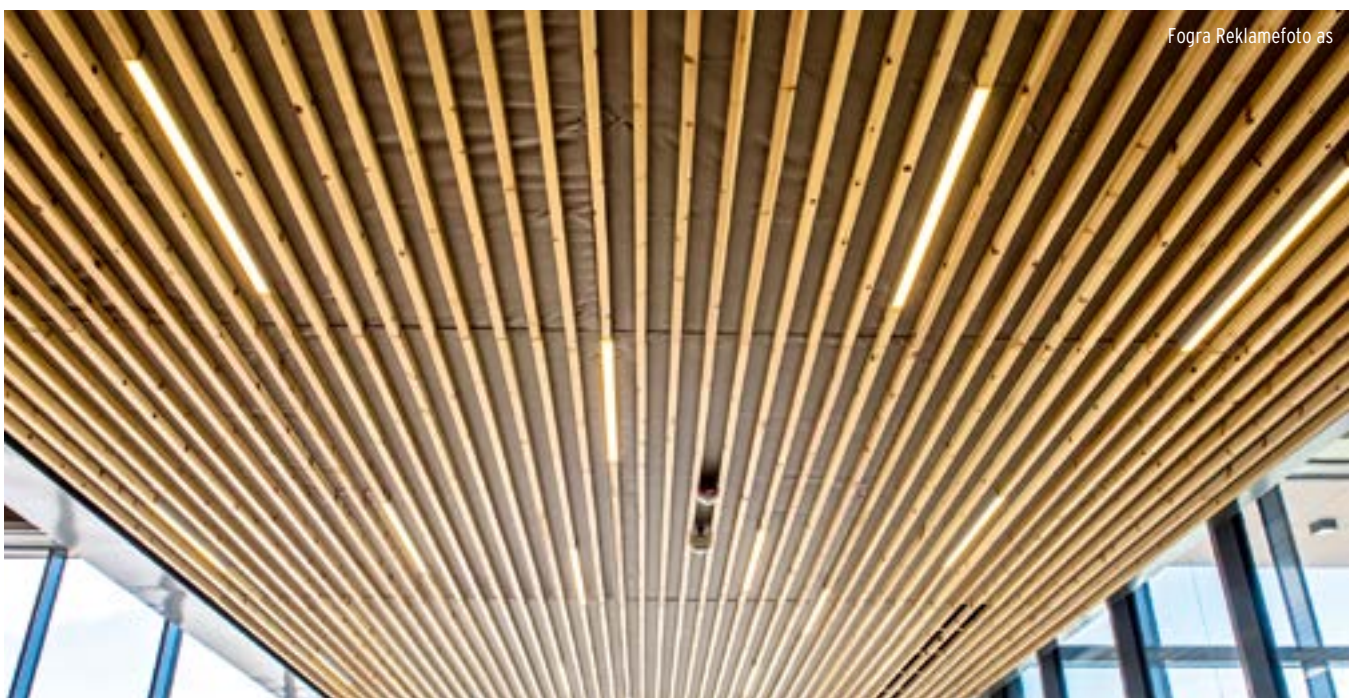


Standard Solutions | XOOMINARE™ 4262



Luke Hayes, www.lukehayes.com

Custom Solutions



Fogra Reklamefoto as

Technical & Service Appendix

XOOMINAIRE™ 4262 – 65°

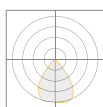
Technical information

Dimensions:	42 mm / 1.65" wide, 62 mm / 2.44" high
Lengths (approx):	800 mm / 2.6', 900 mm / 3', 1,200 mm / 4', 1,500 mm / 5'
Material:	Anodized aluminum (RAL 9006 is standard)
Lumen power levels (approx):	1,800 lm/m, 2,900 lm/m, 3,900 lm/m 500 lm/ft, 800 lm/ft, 1,100 lm/ft
Color temperatures:	2,700 K, 3,000 K, 3,500 K, 4,000 K IQ White - Tunable white on request
Color rendering index:	CRI > 85
Lifetime:	L80/~60,000 hrs, please see page 91
Light control:	on/off, DALI
IP-rating:	IP20
Protection class:	⊕

Reflector optic

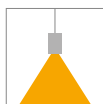
► 65° – Deep, wide, UGR < 16

- Wide and deep light distribution (Batwing) for precise and generous illumination of areas
- Pleasant illumination at moderate luminance and directional light
- UGR < 16 through precision-crafted aluminum-reflector-optic 65°

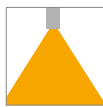


LED luminaire in IP20 for task lighting with integrated PSU and controller. Robust 42 mm x 62 mm (1.65" x 2.44") cross section housing made from extruded and anodized aluminum profile and magnetic aluminum end caps available in silver, black or white (white powder coated) color as recessed, surface-mounted or pendant version. Stand-Alone luminaires are delivered with 2 m (6.56') transparent 3 or 5 wires cable (on/off or DALI) open end cable feeded on one-side. Easy continuous row installation and cabling thanks to pre-installed terminal blocs. Specular aluminum reflectors with a 65° beam angle with glare control (UGR < 16). Light source assembled using state of the art automated Reel to Reel (R2R) production process supporting LED Linear™ Tj Away® thin flexible circuit board technology. In combination with ceramic LED packages a thermal resistivity of 14.3 K/W is achieved for an optimal heat dissipation (junction to profile) which guarantees an outstanding lifetime of > 60,000 hrs L80/B10. Embeds high quality japanese LEDs with 3 step MacAdams (SDCM3) binning centered on target CCT (One Bin Only) with an extended photometric code of Wxxx/339 ensuring an exceptional color consistency over the rated lifetime. Premium color rendition with a CRI of > 85 ensuring a remarkable light quality. Protected against electrostatic discharge +/- 2,000 V and polarity miswiring. Fully flicker-free dimmable with constant current reduction (CCR) in combination with PWM. Engineered and produced in Germany.

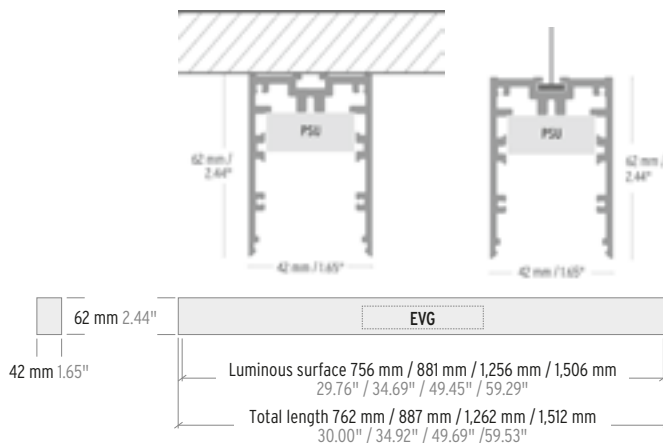
Pendant / Surface-mounted



Pendant



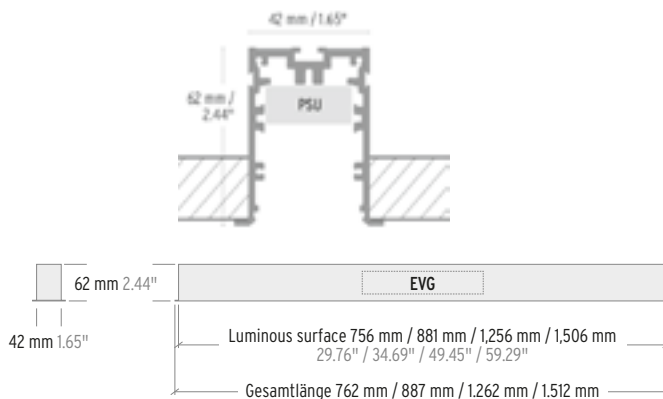
Surface-mounted



Recessed



Recessed



Delivered mounting accessories:

The following accessories will be delivered with the luminaires in appropriate quantities.

Pendant luminaires (P)

VarioPendant 4262

2 m (6.56') long pendant set with fastening parts.



Recessed luminaires (R)

VarioClamp Contour 4262R/4262

Mounting clamps for false ceiling with fastening parts.



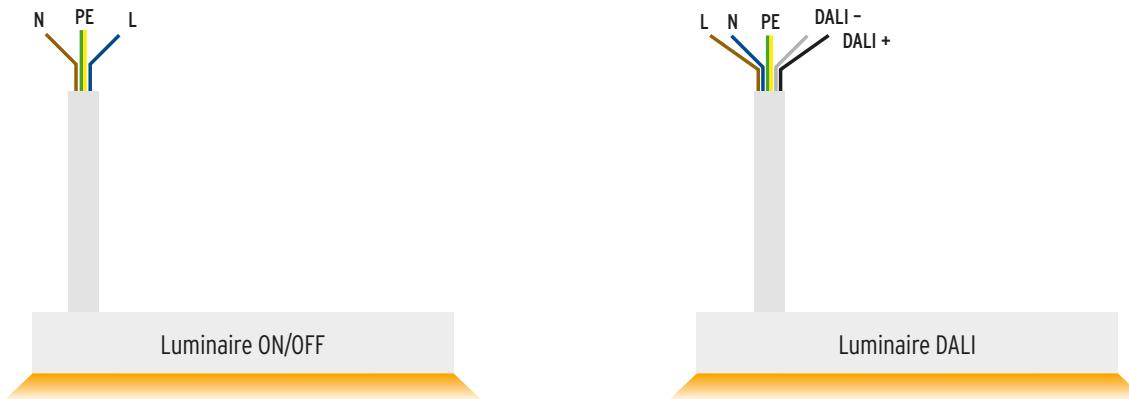
Continuous Row (-CR)

XOOMINAIRE™ Luminaire Connector

Set of 2 mechanical connectors pre-installed on one-end of the fitting.



Cabling



Order matrix

Configure your standard luminaire by completing the order code by the digits not yet defined. →

Protection	Mounting	Profile color	Profile	Optic	W/m / W/ft ^a	lm/m / lm/ft ^b	Light intensity	CCT (K)	Control	Voltage (V)	Length (mm / ft) ^c	Stand-Alone/Continuous Row					
Indoor	Ceiling	C Silver	S	4262	4 2 6 2	65° Reflectors	6 5	15.3 / 4.7	1,800 / 500	High-Efficiency	H E 2,700 2 7	On/Off	A 230	E 762 / 2.50	0 7 6 2	Stand-Alone	-SA
	Pendant	P Black	B					24.8 / 7.6	2,900 / 800	High-Output	H O 3,000 3 0	DALI	C 100-277	W 887 / 2.91	0 8 8 7	Continuous Row	-CR
	Recessed	R White	W					40.1 / 12.2	3,900 / 1,100	Super-Output	S O 3,500 3 5			1,262 / 4.14	1 2 6 2		
														1,512 / 4.96	1 5 1 2		

^a The power consumption refers to the length of the luminous surface under consideration of a 10% loss of the PSU.

^b The performance data refer to the light source standardised to one meter and no power loss of the ballast. Depending on the length and design, the connected wattage increases by the ballast loss, which can range from 7% to 15%. Lumen values according to LED Linear™ Lamp in a thermally steady state operation. The photometrically determined luminous flux can be found by downloading the photometric data (ies / LDT) on our website www.led-linear.com.

^c The lengths listed correspond to Stand-Alone fittings (-SA). Continuous Row (-CR) luminaires are delivered without end caps and therefore have 6 mm shorter lengths. Further information on the content of your standard lighting package, accessory, lifetime as well as the Terms & Conditions and Warranty can be found from page 90 on.

XOOMINAIRE™ 4262 – 25°

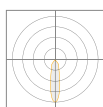
Technical information

Dimensions:	42 mm / 1.65" wide, 62 mm / 2.44" high
Lengths (approx):	800 mm / 2.6', 900 mm / 3', 1,200 mm / 4', 1,500 mm / 5'
Material:	Anodized aluminum (RAL 9006 is standard)
Lumen power levels (approx):	1,800 lm/m, 2,900 lm/m, 3,900 lm/m 500 lm/ft, 800 lm/ft, 1,100 lm/ft
Color temperatures:	2,700 K, 3,000 K, 3,500 K, 4,000 K IQ White - Tunable white on request
Color rendering index:	CRI > 85
Lifetime:	L80/~60,000 hrs, please see page 91
Light control:	on/off, DALI
IP-rating:	IP20
Protection class:	⊕

Reflector optic

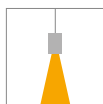
► 25° – Deep, UGR < 16

- Precise, deep light distribution for accurate illumination of areas
- Thorough illumination at high luminance and very directional light
- UGR < 16 through precision-crafted aluminum-reflector-optic 25°

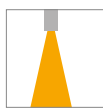


LED luminaire in IP20 for task lighting with integrated PSU and controller. Robust 42 mm x 62 mm (1.65" x 2.44") cross section housing made from extruded and anodized aluminum profile and magnetic aluminum end caps available in silver, black or white (white powder coated) color as recessed, surface-mounted or pendant version. Stand-Alone luminaires are delivered with 2 m (6.56') transparent 3 or 5 wires cable (on/off or DALI) open end cable feeded on one-side. Easy continuous row installation and cabling thanks to pre-installed terminal blocs. Specular aluminum reflectors with a 25° beam angle with glare control (UGR < 16). Light source assembled using state of the art automated Reel to Reel (R2R) production process supporting LED Linear™ Tj Away® thin flexible circuit board technology. In combination with ceramic LED packages a thermal resistivity of 14.3 K/W is achieved for an optimal heat dissipation (junction to profile) which guarantees an outstanding lifetime of > 60,000 hrs L80/B10. Embeds high quality japanese LEDs with 3 step MacAdams (SDCM3) binning centered on target CCT (One Bin Only) with an extended photometric code of Wxxx/339 ensuring an exceptional color consistency over the rated lifetime. Premium color rendition with a CRI of > 85 ensuring a remarkable light quality. Protected against electrostatic discharge +/- 2,000 V and polarity miswiring. Fully flicker-free dimmable with constant current reduction (CCR) in combination with PWM. Engineered and produced in Germany.

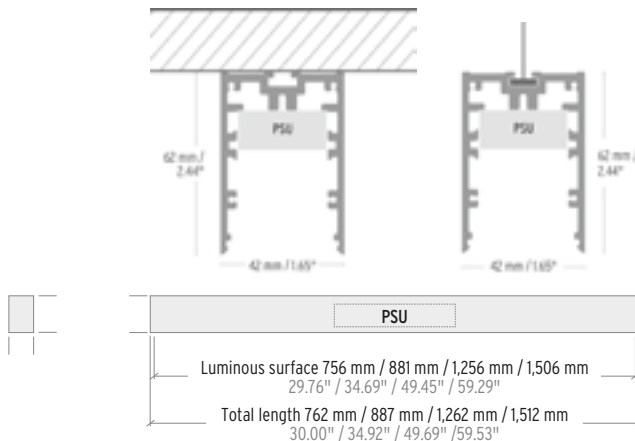
Pendant / Surface-mounted



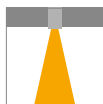
Pendant



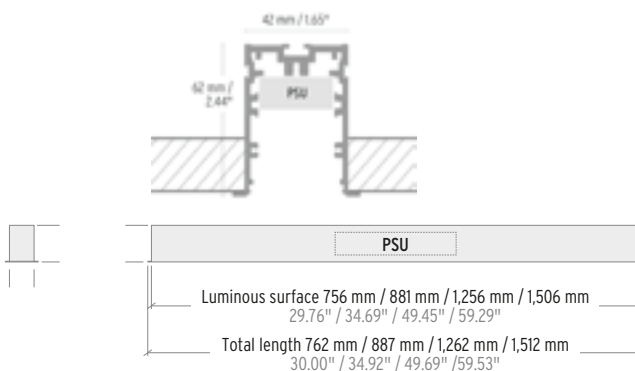
Surface-mounted



Recessed



Recessed



Delivered mounting accessories:

The following accessories will be delivered with the luminaires in appropriate quantities.

Pendant luminaires (P)

VarioPendant 4262

2 m (6.56') long pendant set with fastening parts.



Recessed luminaires (R)

VarioClamp Contour 4262R/4262

Mounting clamps for false ceiling with fastening parts.



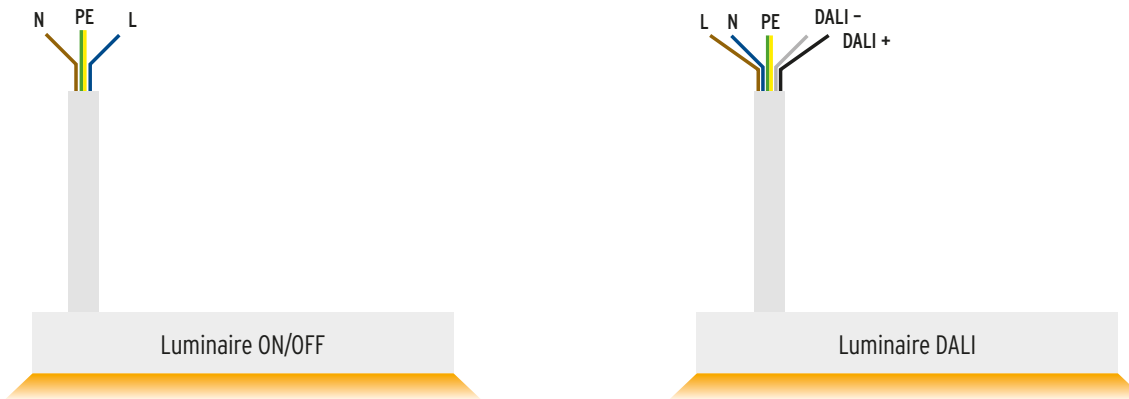
Continuous Row (-CR)

XOOMINAIRE™ Luminaire Connector

Set of 2 mechanical connectors pre-installed on one-end of the fitting.



Cabling



Order matrix

Configure your standard luminaire by completing the order code by the digits not yet defined. →

Protection	Mounting	Profile color	Profile	Optic	W/m / W/ft ^a	lm/m / lm/ft ^b	Light intensity	CCT (K)	Control	Voltage (V)	Length (mm / ft) ^c	Stand-Alone/Continuous Row					
Indoor	Ceiling	C Silver	S	4262	4 2 6 2	25° Reflectors	2 5	15.3 / 4.7	1,800 / 500	High-Efficiency	H E 2,700 2 7	On/Off	A 230	E 762 / 2.50	0 7 6 2	Stand-Alone	-SA
	Pendant	P Black	B					24.8 / 7.6	2,900 / 800	High-Output	H O 3,000 3 0	DALI	C 100-277	W 887 / 2.91	0 8 8 7	Continuous Row	-CR
	Recessed	R White	W					40.1 / 12.2	3,900 / 1,100	Super-Output	S O 3,500 3 5			1,262 / 4.14	1 2 6 2		
														1,512 / 4.96	1 5 1 2		

^a The power consumption refers to the length of the luminous surface under consideration of a 10% loss of the PSU.

^b The performance data refer to the light source standardised to one meter and no power loss of the ballast. Depending on the length and design, the connected wattage increases by the ballast loss, which can range from 7% to 15%. Lumen values according to LED Linear™ Lamp in a thermally steady state operation. The photometrically determined luminous flux can be found by downloading the photometric data (ies / LDT) on our website www.led-linear.com.

^c The lengths listed correspond to Stand-Alone fittings (-SA). Continuous Row (-CR) luminaires are delivered without end caps and therefore have 6 mm shorter lengths. Further information on the content of your standard lighting package, accessory, lifetime as well as the Terms & Conditions and Warranty can be found from page 90 on.

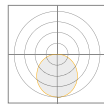
XOOMINAIRE™ 4262 – OW

Technical information

Dimensions:	42 mm / 1.65" wide, 62 mm / 2.44" high
Lengths (approx):	800 mm / 2.6', 900 mm / 3', 1,200 mm / 4', 1,500 mm / 5'
Material:	Anodized aluminum (RAL 9006 is standard)
Lumen power levels (approx):	1,300 lm/m, 2,100 lm/m, 2,700 lm/m 300 lm/ft, 600 lm/ft, 800 lm/ft
Color temperatures:	2,700 K, 3,000 K, 3,500 K, 4,000 K IQ White - Tunable white on request
Color rendering index:	CRI > 85
Lifetime:	L80/~60,000 hrs, please see page 91
Light control:	on/off, DALI
IP-rating:	IP40
Protection class:	⊕

Diffuser optic

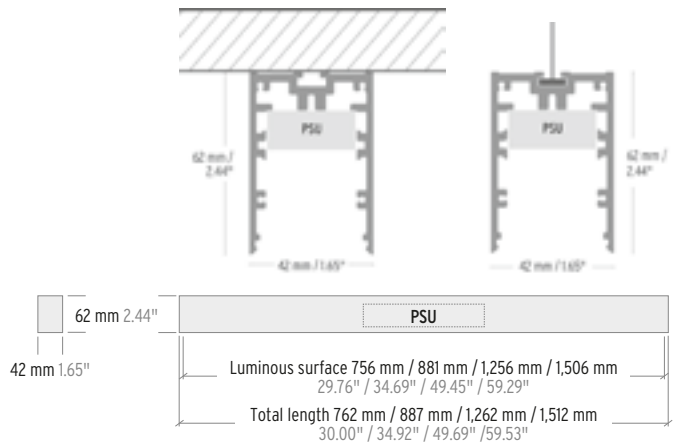
► OW – Opal 40 mm / 1.57" cover, wide (110°)



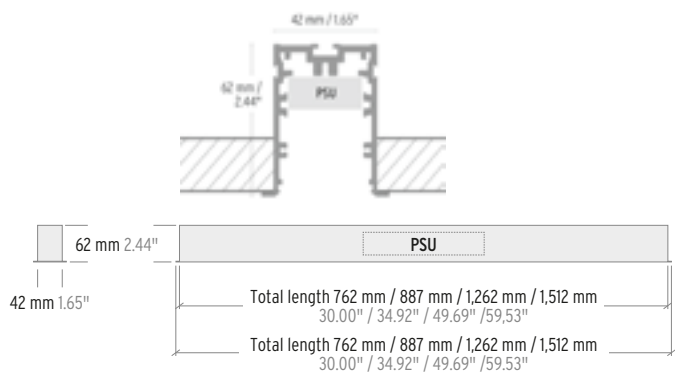
- All around symmetric and wide light distribution for very uniform illumination
- Optimal viewing comfort with absolutely homogeneous light
- Wide opal PMMA design cover

LED luminaire in IP40 for general lighting with integrated PSU and controller. Robust 42 mm x 62 mm (1.65" x 2.44") cross section housing made from extruded and anodized aluminum profile and magnetic aluminum end caps available in silver, black or white (white powder coated) color as recessed, surface-mounted or pendant version. Stand-Alone luminaires are delivered with 2 m (6.56') transparent 3 or 5 wires cable (on/off or DALI) open end cable feeded on one-side. Easy continuous row installation and cabling thanks to pre-installed terminal blocs. Opal optics in combination with collimator for an homogenous and efficient wide illumination. Light source assembled using state of the art automated Reel to Reel (R2R) production process supporting LED Linear™ Tj Away® thin flexible circuit board technology. In combination with ceramic LED packages a thermal resistivity of 14.3 K/W is achieved for an optimal heat dissipation (junction to profile) which guarantees an outstanding lifetime of > 60,000 hrs L80/B10. Embeds high quality japanese LEDs with 3 step MacAdams (SDCM3) binning centered on target CCT (One Bin Only) with an extended photometric code of Wxxx/339 ensuring an exceptional color consistency over the rated lifetime. Premium color rendition with a CRI of > 85 ensuring a remarkable light quality. Protected against electrostatic discharge +/- 2,000 V and polarity miswiring. Fully flicker-free dimmable with constant current reduction (CCR) in combination with PWM. Engineered and produced in Germany.

Pendant / Surface-mounted



Recessed



Delivered mounting accessories:

The following accessories will be delivered with the luminaires in appropriate quantities.

Pendant luminaires (P)

VarioPendant 4262

2 m (6.56') long pendant set with fastening parts.



Recessed luminaires (R)

VarioClamp Contour 4262R/4262

Mounting clamps for false ceiling with fastening parts.



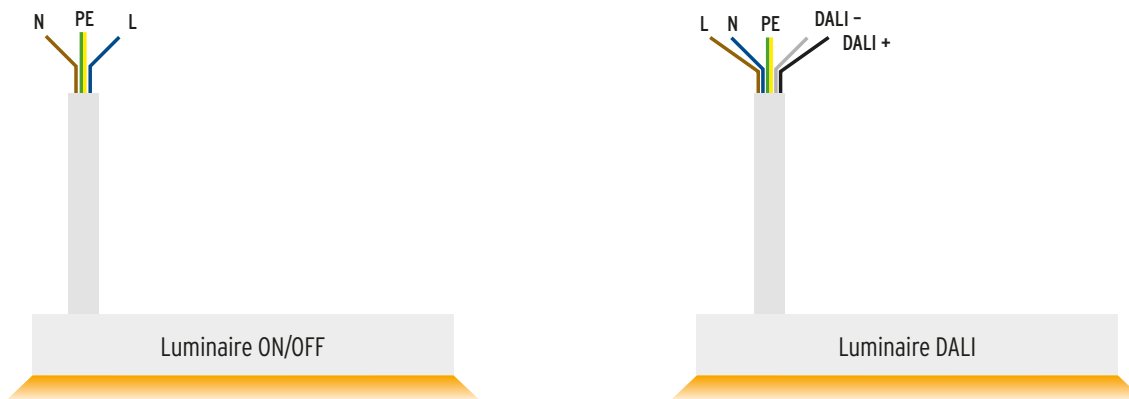
Continuous Row (-CR)

XOOMINAIRE™ Luminaire Connector

Set of 2 mechanical connectors pre-installed on one-end of the fitting.



Cabling



Order matrix

Configure your standard luminaire by completing the order code by the digits not yet defined. →

Protection	Mounting	Profile color	Profile	Optic	W/m / W/ft ^a	lm/m / lm/ft ^b	Light intensity	CCT (K)	Control	Voltage (V)	Length (mm / ft) ^c	Stand-Alone/Continuous Row
Indoor	Ceiling	C Silver	S 4262	Opal Wide	15.3 / 4.7	1,300 / 300	High-Efficiency	2,700	On/Off	230	762 / 2.50	Stand-Alone
	Pendant	P Black	B		24.8 / 7.6	2,100 / 600	High-Output	3,000	DALI	100-277	887 / 2.91	Continuous Row
	Recessed	R White ^A	W		40.1 / 12.2	2,700 / 800	Super-Output	3,500			1,262 / 4.14	
								4,000			1,512 / 4.96	
			4 2 6 2									
					O W							

^A The power consumption refers to the length of the luminous surface under consideration of a 10% loss of the PSU.

^B The performance data refer to the light source standardised to one meter and no power loss of the ballast. Depending on the length and design, the connected wattage increases by the ballast loss, which can range from 7% to 15%. Lumen values according to LED Linear™ Lamp in a thermally steady state operation. The photometrically determined luminous flux can be found by downloading the photometric data (ies / LDT) on our website www.led-linear.com.

^C The lengths listed correspond to Stand-Alone fittings (-SA). Continuous Row (-CR) luminaires are delivered without end caps and therefore have 6 mm shorter lengths. Further information on the content of your standard lighting package, accessory, lifetime as well as the Terms & Conditions and Warranty can be found from page 90 on.

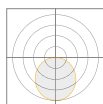
XOOMINAIRE™ 4262 – OW – Corner connector

Technical information

Dimensions:	42 mm / 1.65" wide, 62 mm / 2.44" high
Lengths (approx):	780 mm x 780 mm / 30.71" x 30.71"
Material:	Anodized aluminum (RAL 9006 is standard)
Lumen power levels (approx):	1,300 lm/m, 2,100 lm/m, 2,700 lm/m 300 lm/ft, 600 lm/ft, 800 lm/ft
Color temperatures:	2,700 K, 3,000 K, 3,500 K, 4,000 K IQ White - Tunable white on request
Color rendering index:	CRI > 85
Lifetime:	L80/~60,000 hrs, please see page 91
Light control:	on/off, DALI
IP-rating:	IP40
Protection class:	⊕

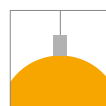
Diffuser optic

► OW – Opal 40 mm / 1.57" cover, wide (110°)



- All around symmetric and wide light distribution for very uniform illumination
- Optimal viewing comfort with absolutely homogeneous light
- Wide opal PMMA design cover

Pendant / Surface-mounted



Pendant



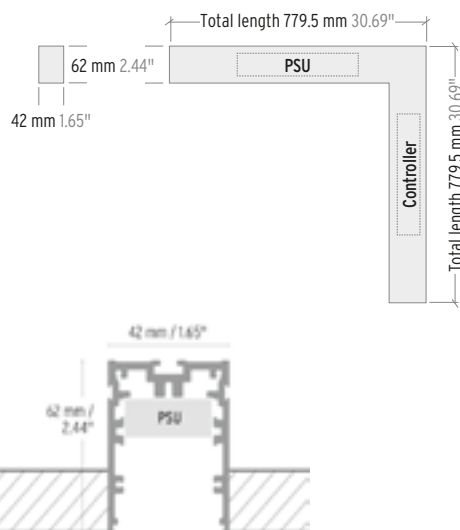
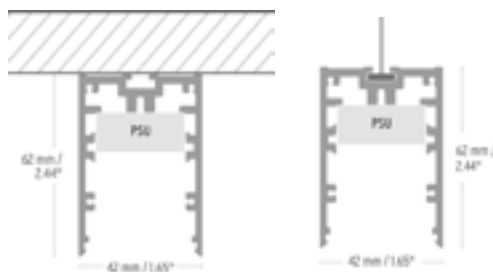
Surface-mounted

Recessed



Recessed

Corner LED luminaire module in IP40 for general lighting with internal PSU and controller. Robust 42 mm x 62 mm (1.65" x 2.44") cross section housing made from extruded and anodized aluminum profile and magnetic aluminum end caps available in silver, black or white (white powder coated) color as recessed, surface-mounted or pendant version. Easy installation and cabling to existing 4262 light lines thanks to pre-installed terminal blocs. Opal optics in combination with collimator for an homogenous and efficient wide illumination. Light source assembled using state of the art automated Reel to Reel (R2R) production process supporting LED Linear™ Tj Away® thin flexible circuit board technology. In combination with ceramic LED packages a thermal resistivity of 14.3 K/W is achieved for an optimal heat dissipation (junction to profile) which guarantees an outstanding lifetime of > 60,000 hrs L80/B10. Embeds high quality Japanese LEDs with 3 step MacAdams (SDCM3) binning centered on target CCT (One Bin Only) with an extended photometric code of Wxxx/339 ensuring an exceptional color consistency over the rated lifetime. Premium color rendition with a CRI of > 85 ensuring a remarkable light quality. Protected against electrostatic discharge +/- 2,000 V and polarity miswiring. Fully flicker-free dimmable with constant current reduction (CCR) in combination with PWM. Engineered and produced in Germany.



Delivered mounting accessories:

The following accessories will be delivered with the luminaires in appropriate quantities.

Pendant luminaires (P)

VarioPendant 4262

2 m (6.56') long pendant set with fastening parts.



Recessed luminaires (R)

VarioClamp Contour 4262R/4262

Mounting clamps for false ceiling with fastening parts.



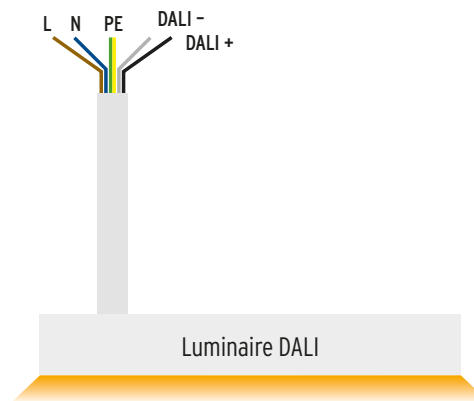
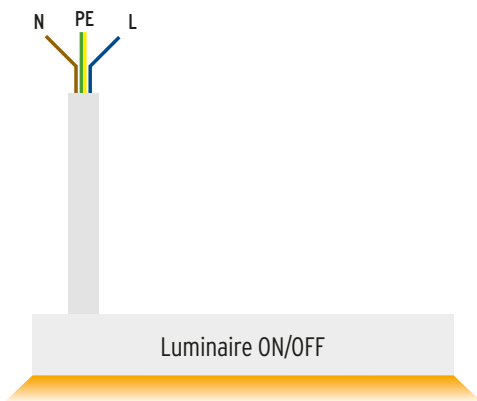
Continuous Row (-CR)

XOOMINAIRE™ Luminaire Connector

Set of 2 mechanical connectors pre-installed on one-end of the fitting.



Cabling



Order matrix

Configure your standard luminaire by completing the order code by the digits not yet defined. →

Protection	Mounting	Profile color	Profile	Optic	W/m / W/ft ^a	lm/m / lm/ft ^b	Light intensity	CCT (K)	Control	Voltage (V)	Length (mm / ft) ^c	Stand-Alone/Continuous Row
Indoor	Ceiling	C Silver	S 4262	Opal Wide	15.3 / 4.7	1,300 / 300	High-Efficiency	2,700	On/Off	230	780 / 2.56	90° Connector
	Pendant	P Black	B		24.8 / 7.6	2,100 / 600	High-Output	3,000	DALI	100-277		
	Recessed	R White ^A	W		40.1 / 12.2	2,700 / 800	Super-Output	3,500				
								4,000				
I	→	→	→ 4 2 6 2	→	→ O W			→	→	→	→ 0 7 8 0	→ -9 0

^A The power consumption refers to the length of the luminous surface under consideration of a 10% loss of the PSU.

^B The performance data refer to the light source standardised to one meter and no power loss of the ballast. Depending on the length and design, the connected wattage increases by the ballast loss, which can range from 7% to 15%. Lumen values according to LED Linear™ Lamp in a thermally steady state operation. The photometrically determined luminous flux can be found by downloading the photometric data (ies / LDT) on our website www.led-linear.com.

^C The lengths listed correspond to Stand-Alone fittings (-SA). Continuous Row (-CR) luminaires are delivered without end caps and therefore have 6 mm shorter lengths. Further information on the content of your standard lighting package, accessory, lifetime as well as the Terms & Conditions and Warranty can be found from page 90 on.