

iDRIVE[®]

CENTRALISE • OPTIMISE • ECONOMISE

Thor 36[™] Power & Ethernet



Product Overview

The market leading iDrive[®] LED driver range now comprises the 2000W iDrive[®] Thor 36. The iDrive[®] Thor 36 is the worlds highest powered LED driver specifically designed for constant voltage LED products. The Thor 36 can be dynamically configured to operate from 12V to 28V constant voltage LED systems with each output capable of providing up to 8A each up to a maximum of 80A across all 36 channels.

Advanced control technology combined with the powerful ieOS operating system enables users to dim the constant voltage fixtures in 8-bit or 16-bit mode giving unprecedented accuracy for dimming & colour control. The system has been designed to operate using DMX, RDM, Art-Net 3, DALI, Art-Osc & TCP/IP protocols and LED output channels can operate in common anode mode.

Special features include over voltage, under voltage, short circuit and power optimisation functions. The Thor 36 is ideally suited to TV and film applications due to its high frequency, high resolution outputs that can be dynamically programmed up to 65kHz.

The Thor 36 also provides an advanced routing and protocol conversion engine to convert between DMX, RDM, DALI and Ethernet protocols ensuring that you can deliver any project.

Features

- High power density - 2kW constant voltage output power
- Slim 19 Inch rack mounted driver system - 1U
- DMX, RDM, Art-Net 3, sACN, DALI & TCP/IP, Art-Osc protocol support
- Thor 36 provides advanced protocol routing and conversion
- Thor 36 drives up to 36 independent channels
- Universal mains input, 100V AC - 240V AC
- Backlit 16x2 LCD display menu system or PC system
- Up to 8A per channel (MAX.)
- 8 to 16-bit resolution with pulse frequency up to 65kHz.
- Programmable DC output voltage from 12V to 28V (+/- 0.5V)
- Intelligent rack management system for easy rack plug and play system configuration
- Common anode configuration
- Short circuit protection
- Real time LED current & voltage monitoring
- HTP merging of 2 DMX controllers
- Linear and curve output curve options

Electrical Specifications

Input

Input Voltage Range: 100 - 240V AC
Input Frequency: 50 - 60 Hz
Consumption: 1 – 2000 Watts
PFC @ MAX input power: 0.985
Efficiency: >90% at full load
Connection: Standard IEC mains filter
Stand-by power: below 20W
No Load Power (total) = 14W or 0.39W per output
No Load PFC = 0.23
Insulation Class: 1
Max Peak Inrush @ 230V: 50A
Start up time: 5 seconds

Output

Output Power: 1-192 Watts per channel
Output Current: 0 - 8A per channel MAX.
Voltage Range: 12 - 28V DC (+/- 0.5V)
LED Connection: 3 x 24 Pin, 3.81mm pitch terminal connectors

Control Input

Dimming control: DMX, RDM, Art-Net 3, sACN, DALI & TCP/IP Art-Osc
Connection: 5-Pin XLR-DMX, 2x RJ45-DMX, 2-Pin DALI & 10/100 Mbps RJ45 Ethernet.
Dimming Range: 0 - 100%
DMX Address Range: 001 - 512 via Menu, RDM, TCP/IP system
Programs: See user manual for all pre-sets
Master / Slave Arrangement: See user manual
Dimming Resolution: Between 8-bit and 16-bit

Mechanical

Mounting: Standard 19" – 1U Rack System
Construction: Steel case to IP20
Weight: 7.5kg

Environmental

Operating Ambient Temperature: -10°C to + 40°C
Storage Ambient Temperature: -20°C to + 50°C
Case Temperature: + 65°C
Relative Humidity: 80% non condensing

Protection

Over voltage, Over Temperature, Overload, Short Circuit, Over power, Withstand 300V AC surge input for 5 seconds

* Suitable for resistive loads and certain non-resistive loads in low frequency modes.

Part Numbers

IST Part No.	Notes
IDT1920-36-T	No mains lead
IDT1920-36-T-IEC	UK mains lead



19" 1U RACK MOUNTED 2000W, 36 OUTPUT LED DRIVER
DMX, RDM, TCP/IP & DALI compatible

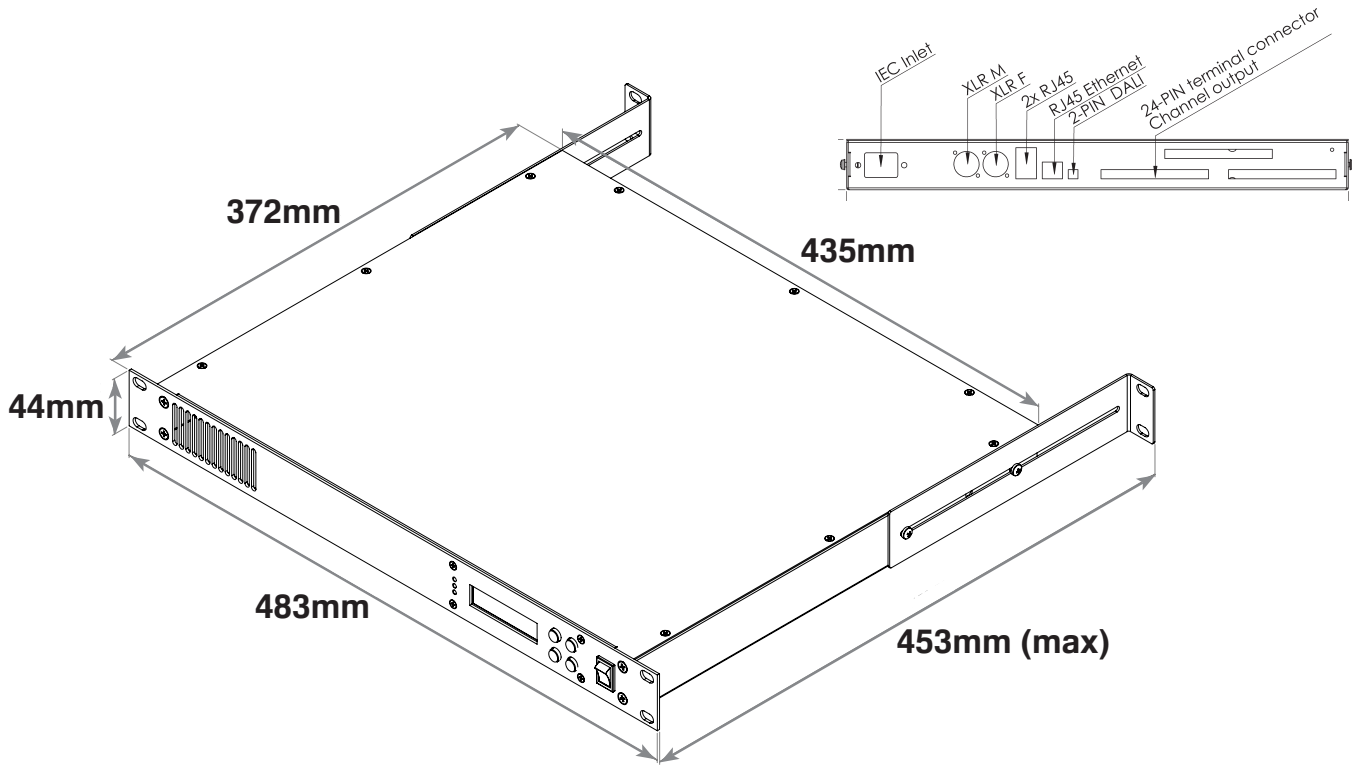
Version:
7.7b



CENTRALISE • OPTIMISE • ECONOMISE

Thor 36™ Power & Ethernet

Dimensions



Recommended options

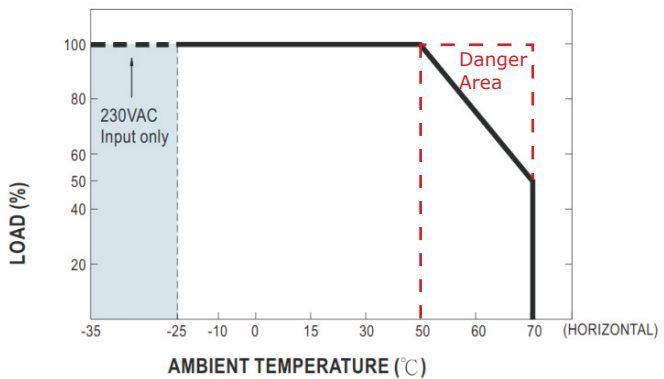


Double Section
 Rack Enclosure
 6U Code: ISTL-DW06U
 12U Code: ISTL-DW12U



DMX Cables
 Code: XLR010 1metre
 XLR020 2metre
 XLR050 5metre
 XLR100 10metre

Derating curve



www.istl.com

t: +44 (0)121 362 1810 e: sales@istl.com

Integrated System Technologies Ltd., Serenity House, 31 Gate Lane, Sutton Coldfield B73 5TR

19" 1U RACK MOUNTED 2000W, 36 OUTPUT LED DRIVER
DMX, RDM, TCP/IP & DALI compatible

Version: 7.7b