

TSI-1

TSE Touchscreen Interface

Key Features

- Connects iLight's TSE55 and TSE80 touchscreens to the iLight network
- Connects multiple TSE screens and mobile devices running the TSEtouch app
- Configurable IP address.
- Scheduled events
- Supports smart device applications. (iPhone®/ iPod touch®/ iPad®/ Android)
- BACnet communication over TCP/IP
- CE compliant to all relevant standards
- Designed and manufactured to ISO 9001:2015 standards.



Overview

The TSI-1 Touchscreen Interface enables the use of multiple TSE55 and TSE80 colour touchscreens and ensures synchronization of screen configurations across an entire building installation. It also facilitates connection to iLight's TSEtouch app enabling personalised control from your compatible hand held smart device.

Additionally a built in scheduler allows for timed events to suit your building needs and BACnet capabilities for the integration of building services such as HVAC, further enhancing the capabilities of this powerful interface unit.

Mechanical

Weight: 0.22 kg

Operating temperature: +2°C to +50°C

Note: All enclosures must be adequately ventilated

Max storage temperature: +60°C

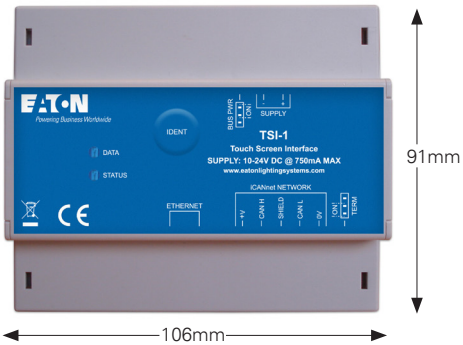
Humidity: +5 to 95% non-condensing

Environmental protection: IP20

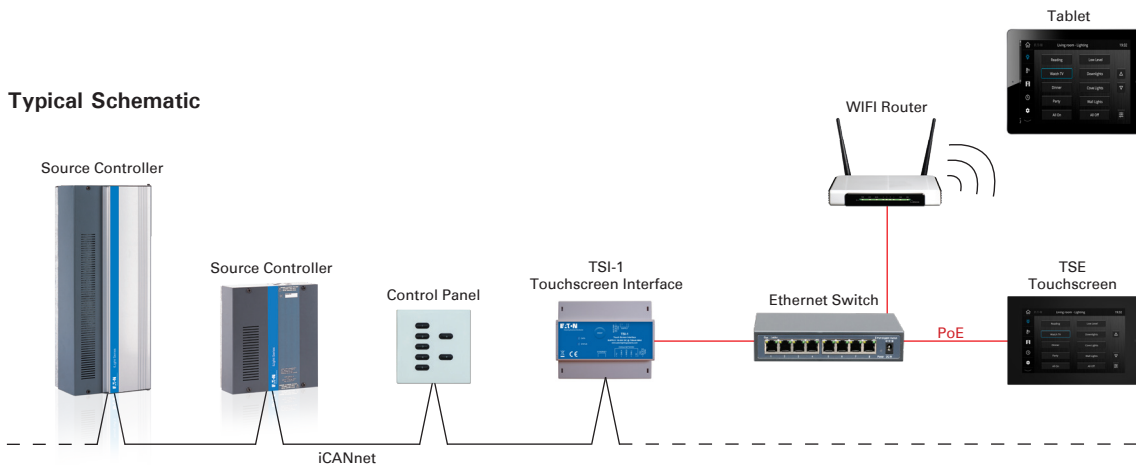
Electrical

Supply: +10 - 24V DC @ 750 mA Max
(via external power supply)

Dimensions



Typical Schematic



Contact your local Eaton office

20 Greenhill Crescent, Watford Business Park,
Watford, Herts, WD18 8JA. UK
T: +44 (0)1923 495495 F: +44 (0)1923 228796
E: enquiries@iLight.co.uk www.iLight.co.uk

Eaton Lighting Systems
20 Greenhill Crescent,
Watford Business Park,
Watford, Herts, WD18 8JA. UK
eatonlightingsystems.com

© 2019 Eaton
All Rights Reserved

Document No: TSI-1 Rev5 0719

Changes to the products, to the information
contained in this document, and to prices are
reserved; so are errors and omissions.

Eaton is a registered trademark.

All other trademarks are property
of their respective owners.