



OKTAN UV-C

Bactericidal UV-C luminaires

The luminaire produced in a factory with ISO 13485 medical certificate



Bactericidal luminaire produced in the plant, which is the only one in Poland, it has a quality management system for production Medical Devices ISO 13485 - design certificate and making lighting fittings for medical use. Luminaire dedicated for compact fluorescent lamps TC-L. Compact and portable standing case which allows for placement at any point of the room: table, shelves or floor. Optional can be equipped with a portable stand. Recommended for use wherever mounting is not possible permanent fixtures.



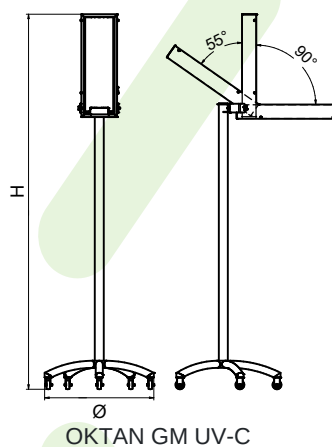
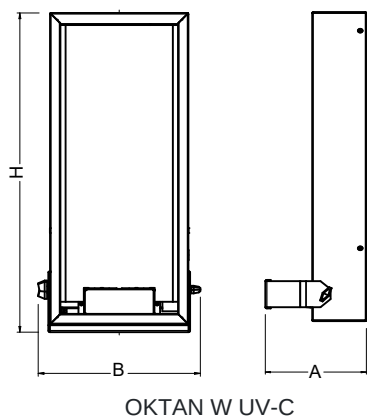
Pictograms:



Main parameters:

Name	Luminous flux LED [lm]	Power of luminaire [W]	Socket	Dimensions A x B x H [mm]
OKTAN W UV-C	TC-L	1 x 55	2G11	150 x 234 x 575
OKTAN W UV-C	TC-L	2 x 55	2G11	150 x 234 x 575
OKTAN GM UV-C	TC-L	1 x 55	2G11	∅ 600 x 2100
OKTAN GM UV-C	TC-L	2 x 55	2G11	∅ 600 x 2100

Technical drawing:



Light and electrical features:

Light source	TC-L
Voltage	220..240 V, 50..60 Hz
Lifetime of light source [h]	9000
Operating temperature range [°C]	5 ÷ 30
Driver	profesional ballast

Mechanical features:

Assembly	on the wall (version Oktan W) on portable stand with wheels (version Oktan GM)
Material	steel sheet
Color	white
Others (optional)	motion sensor (turns off the luminaire in the case of detecting human presence)

Biocidal features:

Dominant wavelength [nm]	254
Range	1x55W - do 15m ² 2x55W - do 30m ²
UV-C Radiation intensity	1x55W: 1,8W/m ² 2x55W: 3,6W/m ²
Others	small amount of mercury no ozone
Photobiological risk class (IEC/EN 62471)	RG3 (high risk) Lamps can threat even during a short exposure. Using them together with general lighting is not allowed.
Optional	version with bactericidal coating
Timer (optional)	Monitoring the hours of lamp source operation Modes of operation: Delayed shutdown Delayed switching on Cyclic shutdown Cyclical switching Delayed momentary switching on

Akcesoria*:

* - necessary for the version OKTAN GM UV-C

Name	STOJAK AGALINE / OKTAN 34
Indekx	0B1AO-ST
Picture	



Specifications are subject to change.
Pictures of the luminaires may differ from reality.
Date of last update: 31-03-2020