



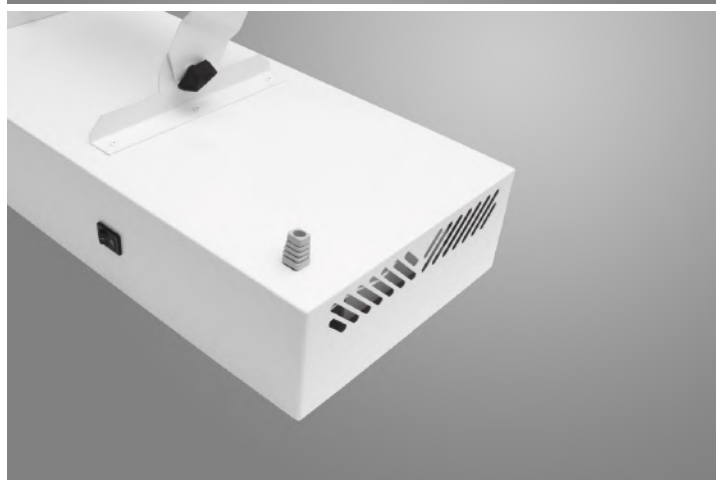
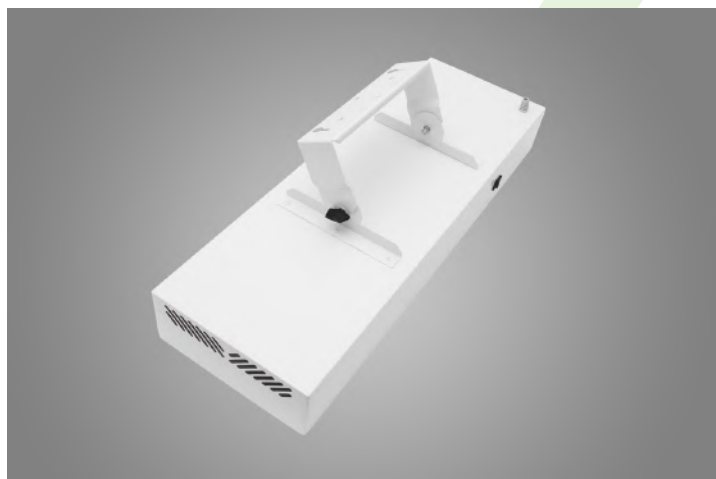
## OKTAN UV-C

### Bactericidal UV-C luminaires

The luminaire produced in a factory with ISO 13485 medical certificate



Bactericidal luminaire produced in the plant, which is the only one in Poland, it has a quality management system for production Medical Devices ISO 13485 - design certificate and making lighting fittings for medical use. Dedicated for TC-L compact fluorescent lamps. Compact design. Wall mounting. Optionally, it can be equipped with a portable stand, which is recommended for use in places where is no possibility of mounting the fixture permanently.



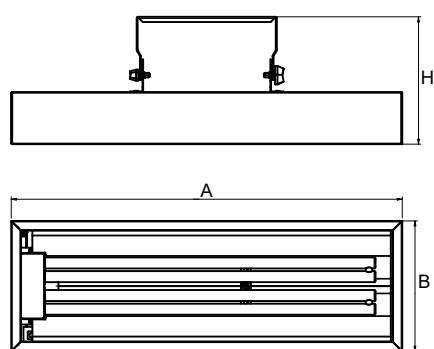
Pictograms:



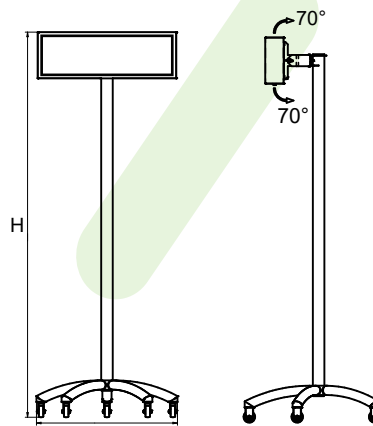
Main parameters:

Name	Luminous flux LED [lm]	Power of luminaire [W]	Socket	Dimensions A x B x H [mm]
OKTAN W UV-C	TC-L	2 x 36	2G11	600 x 200 x 195
OKTAN W UV-C	TC-L	2 x 55	2G11	600 x 200 x 195
OKTAN GM UV-C	TC-L	2 x 36	2G11	∅ 600 x 1670
OKTAN GM UV-C	TC-L	2 x 55	2G11	∅ 600 x 1670

Technical drawing:



OKTAN W UV-C



OKTAN GM UV-C

Light and electrical features:

Light source	TC-L
Voltage	220..240 V, 50..60 Hz
Lifetime of light source [h]	9000
Operating temperature range [°C]	5 ÷ 30
Driver	professional ballast

Mechanical features:

Assembly	on the wall (version Oktan W) on portable stand with wheels (version Oktan GM)
Material	steel sheet
Color	white
Others (optional)	motion sensor (turns off the luminaire in the case of detecting human presence)

Biocidal features:

Dominant wavelength [nm]	254
Range	2x36W - do 20m <sup>2</sup> 2x55W - do 30m <sup>2</sup>
UV-C Radiation intensity	2x36W: 2,8W/m <sup>2</sup> 2x55W: 3,6W/m <sup>2</sup>
Others	- light sources contain a small amount of mercury - for the first 100 hours of lamp operation, light sources emit a small amount of ozone. After it is recommended to ventilate the room.

Photobiological risk class (IEC/EN 62471)	RG3 (high risk) Lamps can threat even during a short exposure. Using them together with general lighting is not allowed.
---	---

Optional	version with bactericidal coating
----------	-----------------------------------

Timer (optional)	Monitoring the hours of lamp source operation Modes of operation: Delayed shutdown Delayed switching on Cyclic shutdown Cyclical switching Delayed momentary switching on
------------------	---

Akcesoria\*:

\* - necessary for the version OKTAN GM UV-C

Name	STOJAK AGALINE / OKTAN 34
Indekx	0B1AO-ST
Picture	



Specifications are subject to change.  
Pictures of the luminaires may differ from reality.  
Date of last update: 13-05-2020