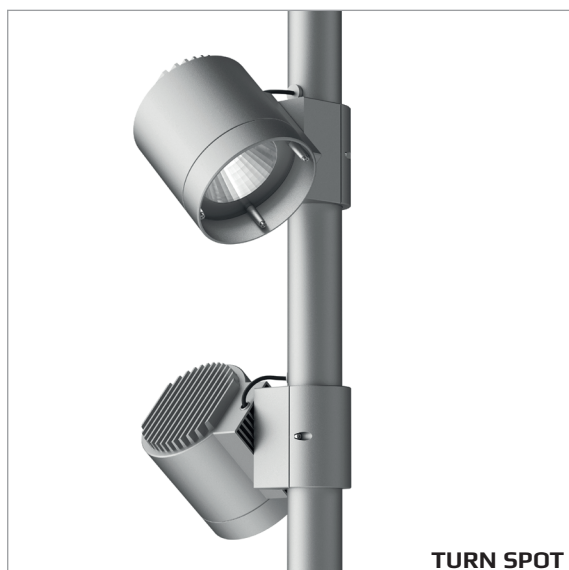


# Turn

Design: FRIIS & MOLTKE Design



**Turn** by Friis & Moltke Design is a new brand in the Focus program.

The luminaires in cast aluminium have silk-edged shades in clear glass. The housing is completed by a long ring in cast aluminium or a short, opal-white acrylate ring.

**Turn** is available as a spot with reflector or with optics for asymmetrical light.



**Turn Spot** is equipped with a long ring in cast aluminium for cut-off and antiglare.

**Turn Spot Halo** is equipped with a short, opal-white acrylate ring, opening the luminaire and offering optical guidance.

Both spots are equipped with reflector and LED with light distribution in three angles: narrow ( $12^\circ$ ), medium ( $19^\circ$ ), and wide ( $38^\circ$ ).

The spots can be adjusted horizontally around the post and vertically in the bracket. When holes have been bored in the post, the spots can be turned 90 degrees to both sides.

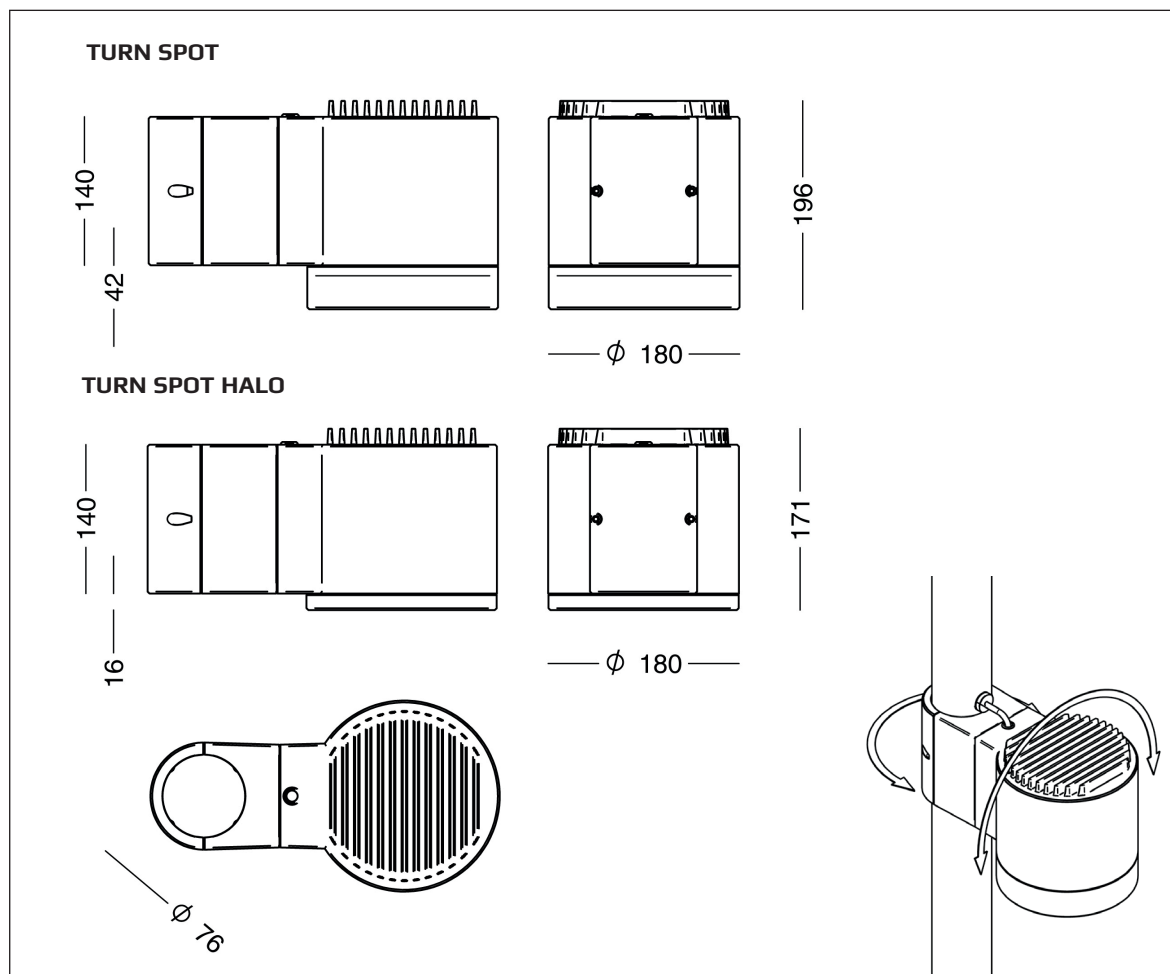


**Turn Street Halo** is available in one version only. The closing with the short, opal-white ring opens up for asymmetrical light onto cycling lanes and pedestrian areas.

The street luminaire will be equipped with programmed LED and lenses for asymmetrical light.

# Turn Spot

Design: FRIIS & MOLTKE Design



## Luminaire specification:

Material:	
Turn Spot:	Cast aluminium
Turn Spot Halo:	Cast aluminium and opal-white acrylate
Coating:	Graphite grey: YW355F Silver grey: Y2370I Corten brown: YX355F Black: Noir 900 Sablé, SN351F
Shade:	Clear glass with silk coating at the edge Honeycomb filter optional
Mounting:	At conical post with 76 mm cylindrical extension Adapter for 60 mm post optional
Lead:	8.5 m lead, 2 x 1 mm <sup>2</sup> , is included
Connection:	In the post
Classification:	IP66, class II
Impact resistance:	IK08
Corrosion class:	C4
Wind sweeping area:	0.053 m <sup>2</sup>
Weight:	6 kg

## LED and driver specification:

LED:	Bridgelux V18
Beam angles:	wide (38°), medium (19°), or narrow (12°)
Operational life:	min 100,000 hours at ta max 25°C, L80B10
Colour temperature:	2700, 3000, or 4000 Kelvin
Colour rendering:	min 80 Ra
Colour accuracy:	3 steps SDCM
Luminous power:	2700K: 1520-4400 lm, CLO 3000K: 1600-4600 lm, CLO 4000K: 1650-4700 lm, CLO
Driver:	Xitanium Full Xi FP 40 W 0.3-1.0 A programmable
Inrush current:	max 22 A (50% after 290 µs)
Dimming:	15-100% in time intervals or DALI (4-conductor cable), Line switch
Alternatively:	DALI via Zhaga book 18 socket
Surge protection:	L/N-GND: 10 kV L-N: 6 kV
Operational life:	min 100,000 hours

FOCUS-LIGHTING

# Turn Spot - Product Codes

Design: FRIIS & MOLTKE Design

## Product codes:

<b>Turn Spot</b>		Select colour, colour temperature, etc in the table below.				
Item No.	Beam angle	Lamp type				
8836-	Wide 38°	Bridgelux V18, max 4700 lm, programmable				
8837-	Medium 19°	Bridgelux V18, max 4700 lm, programmable				
8838-	Narrow 12°	Bridgelux V18, max 4700 lm, programmable				
<b>Turn Spot Halo</b>						
Item No.	Beam angle	Lamp type				
8840-	Wide 38°	Bridgelux V18, max 4700 lm, programmable				
8841-	Medium 19°	Bridgelux V18, max 4700 lm, programmable				
8842-	Narrow 12°	Bridgelux V18, max 4700 lm, programmable				
Combine with:	Colour	Colour temperature		Dimming/Control		Protection class
	4 graphite grey	827	2700 K, 80 Ra	empty	programmable	empty class II
	9 silver grey	830	3000 K, 80 Ra	D	Dali	class I
	17 corten brown	840	4000 K, 80 Ra	F	phase	
	66 noir 900			R	socket with SR driver, Zhaga book 18	
				RC	as above, City Touch	
	Filter					
	empty	no filter				
	Y	honeycomb filter				
Example Order No.:	8836-9830J = Turn Spot, wide, max 4600 lm, programmable, silver grey, 3000 K, 80 Ra, class I					
<b>4 m post: 3 m conical + 1 m cylindrical extension Ø76 mm - for two fittings</b>						
Item Nos.	Mounting	Select colour in the table below.				
3170-	rooted base					
3270-	flanged base					
<b>5.5 m post: 3.5 m conical + 2 m cylindrical extension Ø76 mm - for three fittings</b>						
Item Nos.	Mounting	Select colour in the table below.				
3172-	rooted base					
3272-	flanged base					
<b>7 m post: 4 m conical + 3 m cylindrical extension Ø76 mm - for three or more fittings</b>						
Item Nos.	Mounting	Select colour in the table below.				
3174-	rooted base					
3274-	flanged base					
Combine with:	Colour					
	4	graphite grey				
	7	galvanised				
	9	silver grey				
	17	corten brown				
	66	noir 900				
<b>Optional</b>						
1714-1	Adapter for Ø60 mm post					
50200	Rooted base for Ø 108-140 mm post					
97033	Fuse box for 1 Neozed fuse up to 16 A					
97070	Fuse box for 2 Neozed fuses up to 16 A					
50271	Fuse box for 3 Neozed fuses up to 16 A					