

Space

Design: AART Designers



The design of Space is timeless and appealingly friendly, meeting the criteria to be well suited for both modern and old architecture – and for public and private spaces.

The non-directional luminaire can be seen from any direction with the same unique pleasant design expression. Due to the wide proportions, Space looks elegant on both low and high columns.

The sheer size of the luminaire has made it possible to design and engineer an innovative solution applying direct, indirect and reflected lighting. The direct light is combined with reflected light from the inner top reflector and slightly diffused light from the circular diffuser, which elegantly follows and underlines the circular shape of the luminaire. All done to achieve comfortable human lighting in a fine balance with highly efficient and uniform lighting distributions.

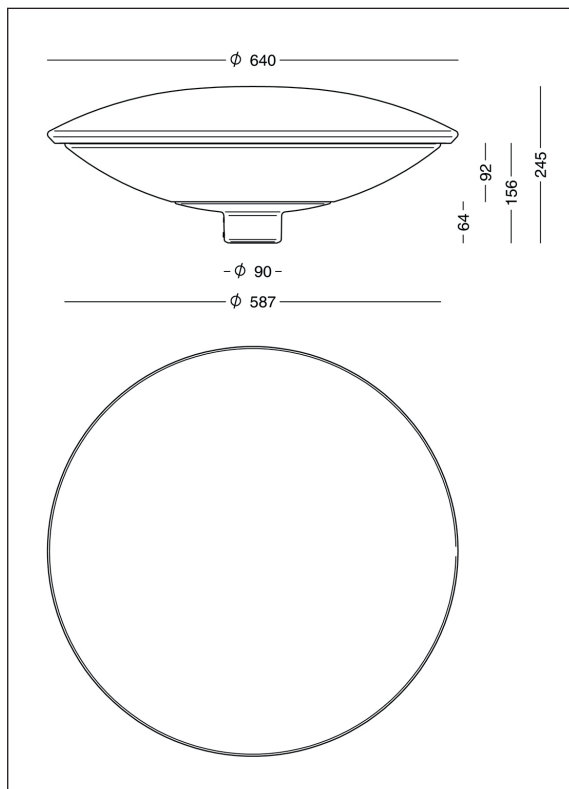
The main applications are pedestrian areas like pathways, city squares, parks, playgrounds, university and company campuses, parking areas, bicycle roads and many other public and private areas.



FOCUS-LIGHTING

Space - post-top

Design: AART Designers



Specification:

Material:	Cast aluminium
Powder coating:	Graphite grey: YW355F Silver grey: Y2370I Corten brown: YX355F Black: Noir 900 Sablé SN351F
Shade:	Clear long-life polycarbonate with UV-resistant acrylate on both sides.
Mounting:	Standard post 60 or 76 mm top diameter, or cylindrical post, 90-180 mm
Lead:	5.5 m PKL-lead, 2 x 1 mm ² , included, connection in the post.
Classification:	IP66, class II
Impact resistance:	IK10
Corrosion class:	C4
Weight:	10 kg
Wind sweeping area:	0.09 m ²
Lamp type:	LED

Driver spec:

High lumen, V22:

Driver:	Xitanium Full Xi FP 40 W 0.3-1.0 A progr.
Inrush current:	max 22 A (50% after 290 µs)

Low lumen, V18:

Driver:	Xitanium Full Xi FP 40 W 0.2-0.7 A progr.
Inrush current:	max 27 A (50% after 265 µs)

Surge protection:	L/N-GND: 10 kV, (SR driver: 8 kV) L-N: 6 kV
-------------------	--

Operational life:	min 100,000 hours
-------------------	-------------------

Dimming/control:	15-100% programming range DALI (4-conductor cable) phase (Line switch) voltage (AmpDim)
------------------	--

Other control options:	DALI via Zhaga book 18 socket
------------------------	-------------------------------

LED spec:

LED, High lumen:	Bridgelux V22
Luminous power:	2700K: 3175-6300 lm, CLO 3000K: 3350-6700 lm, CLO 4000K: 3450-6850 lm, CLO

LED, Low lumen:	Bridgelux V18
Luminous power:	2700K: 1100-3450 lm, CLO 3000K: 1175-3650 lm, CLO 4000K: 1200-3750 lm, CLO

Operational life:	min 100.000 timer ved ta max 25°C, L80B10
Colour temperature:	2700, 3000 eller 4000 Kelvin
Colour rendering:	min 80 Ra, typisk 85 Ra
Colour accuracy:	3 steps SD
Luminous intensity:	G*2
Glare index:	D5

Space - Item Nos.

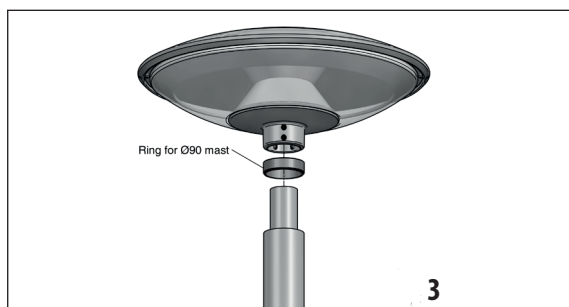
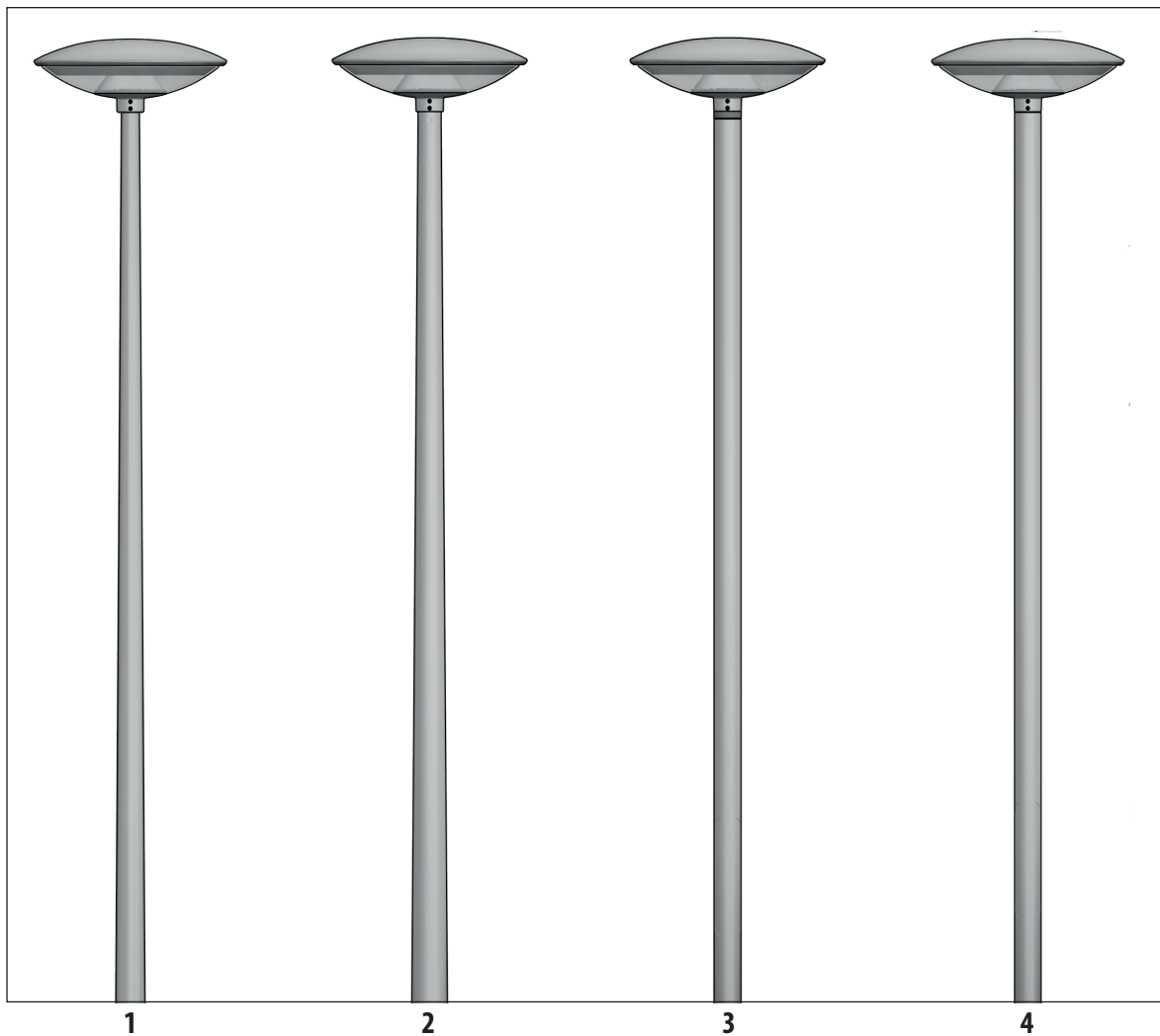
Design: AART Designers

Product codes:

Space - High lumen							
Item No.	Lamp type Select colour, colour temperature, etc, in the table below.						
8882-	LED Bridgelux V22, 3175-6850 lm, programmable						
Space - Low lumen							
8880-	LED Bridgelux V18, 1100-3750 lm, programmable						
Combine with:	Colour		Colour temperature		Dimming/control		Classification
	4	graphite grey	827	2700 K, 80 Ra	empty	programmable	empty class II
	9	silver grey	830	3000 K, 80 Ra	D	Dali	J class I
	17	corten brown	840	4000 K, 80 Ra	F	phase (Line Switch)	
	66	noir 900			R	socket incl. SR driver Zhaga book 18	
					RC	as above, City Touch	
Example Item No.	8882-9830 = Space, high-lumen, silver grey, 3000 K 80 Ra, max 3650 lm, programmable, class II						

Columns and accessories					
8016-	Distance ring for Ø90 mm post - select colour in the table above.				
Columns, Ø90 mm with Ø60 top pipe					
Item No.	Height		Select colour in the table below.		
3150-	3 meter column				
3151-	3.5 meter column				
3152-	4 meter column				
3153-	4.5 meter column				
3155-	5 meter column				
50202	Rooted base for Ø 62-90 mm columns				
Combine with:	Colour		Option: Fuse box for 90 mm column (compact)		
	4	graphite grey	Item No.	Type	Capacity
	7	galvanised	6949	DI Euro Mini	max 3 pcs 4 x 10 or 2 pcs 4 x 16 mm ²
	9	silver grey	50279	Nipa HSW 1194	max 5 pcs 5 x 6 mm ²
	17	corten brown			
	66	noir 900			

Space - posts



Space can be mounted on different post types under the condition that the top pipe is $\text{Ø}60$ or $76 \times H100$ mm.

Four examples above:

1. conical post with 100 mm top pipe $\text{Ø}60$
2. conical post with 100 mm top pipe $\text{Ø}76$
3. cylindrical 90 mm post with 100 mm top pipe $\text{Ø}60$, w. ring
4. as 3, but without ring

The illustrations to the left show examples 3 and 4 with and without distance ring.