

# Nyx 190

Design: Vilhelm Lauritzen Architects



The smallest luminaire in the Nyx family is Nyx 190 for wall or bollard mounting. As is the case with the other Nyx luminaires, Nyx 190 is available in two black, two grey colours, and the new corten brown.

With housing in cast silumin and screen in opalized polycarbonate, the luminaires are simple and resistant to vandalism. The bollard is available in two heights; 1000 or 1200 mm, the taller bollard being equipped with fuse box.

Lamp types are LED or E27 types.

In Greek mythology NYX is the goddess of the night, ruling over darkness - NYX gave birth to the day

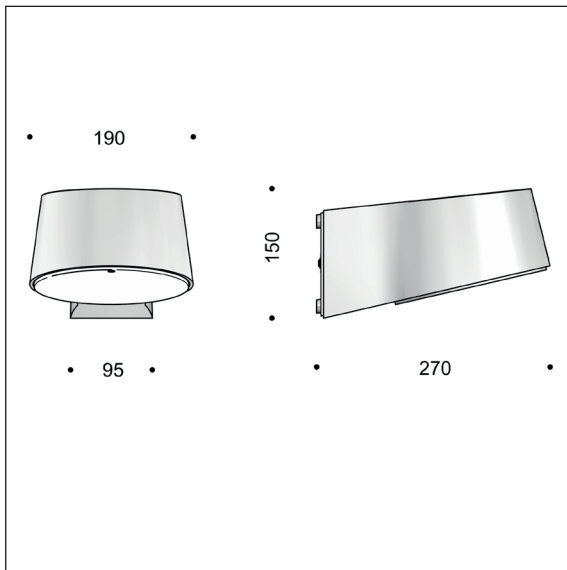


Find our sales partner in your country under Contacts at [www.focus-lighting.dk](http://www.focus-lighting.dk)

**FOCUS-LIGHTING**

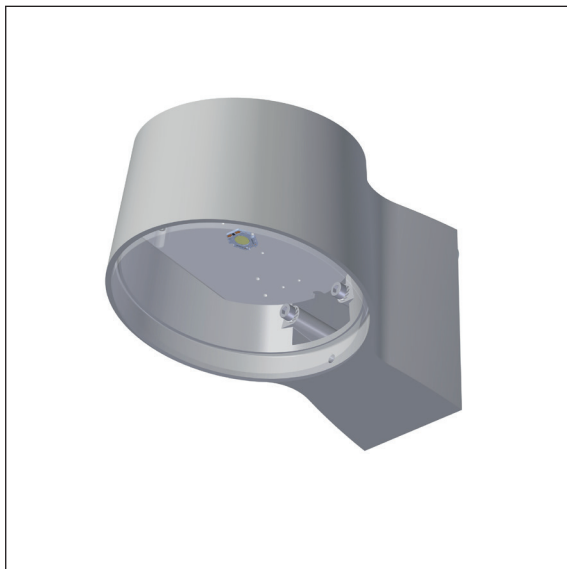
# Nyx 190 Wall - LED

Design: Vilhelm Lauritzen Architects



## Luminaire specification:

Material: cast aluminium  
 Coating: graphite grey: YW355F  
 silver grey: Y2370I  
 black: RAL 9005 or Noir 900 Sablé SN351F  
 corten brown: YX355F  
 Screen: polycarbonate, opal white  
 Mounting: on wall, double cable entry  
 Connection: max 5 x 2.5 mm<sup>2</sup> into terminal block  
 Classification: IP66, class I or II  
 Impact resistance: IK10  
 Weight: 2.6 kg  
 Lamp types: LED or E27 variants.  
 All lamp components as exchangeable modules.



## Lamp and driver specification:

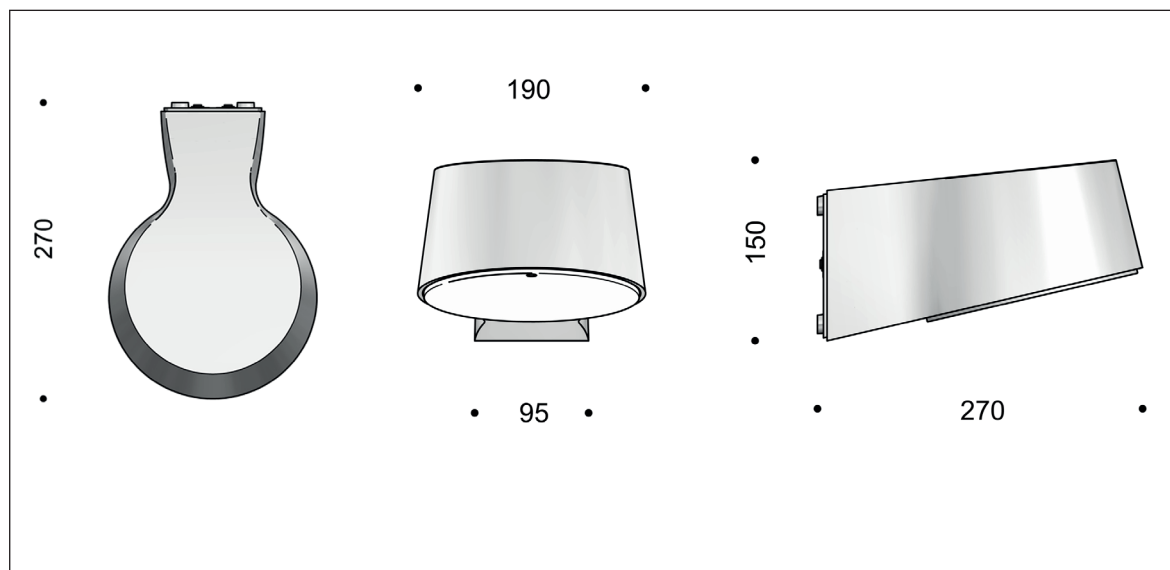
LED type: Bridgelux Vero 10  
 Energy consumption: 12 or 17 W (350 or 500 mA)  
 Luminous power: 1000 - 1500 lumen  
 Operational life: min 100.000 hours at ta max 25°C, L80B10  
 Colour temperature: 2700, 3000, or 4000 Kelvin  
 Colour rendering: min 90 Ra  
 Colour accuracy: 3 Steps SDCM  
 Output ratio: 57 per cent  
 Driver: Helvar LED driver  
 Dimmable at extra charge  
 Operational life: min 50,000 hours

## Product codes:

NYX 190 for wall mounting, LED									
Item No.	Lamp type		Select colour, colour temperature, etc. in the table below.						
6843-	12 W Bridgelux Vero 10, 350 mA								
6844-	17 W Bridgelux Vero 10, 500 mA								
Combine with:	Colour		Colour temperature		Dimming		Classification		
	3	black RAL 9005	927	2700 K, 90 Ra	V	1-10 V	empty	class I	
	4	graphite grey	930	3000 K, 90 Ra	D	Dali	K	class II	
	9	silver grey	940	4000 K, 90 Ra					
	17	corten brown							
	66	black noir 900							
Example:	6843-9830 = Nyx 190 wall, 12 W Bridgelux, silver grey, 3000 K 80 Ra, without dimming, class I								
Optional									
60228	Base for visible cables - see sketch here								

# Nyx 190 - E27

Design: Vilhelm Lauritzen Architects



## Luminaire specification:

Material: cast aluminium  
 Coating: graphite grey: YW355F  
 silver grey: Y2370I  
 black: RAL 9005 or Noir 900 Sablé SN351F  
 corten brown: YX355F  
 Screen: polycarbonate, opal white  
 Mounting: on wall, double cable entry  
 Connection: max 5 x 2.5 mm<sup>2</sup> into terminal block  
 Classification: IP66, class I or II  
 Impact resistance: IK10  
 Weight: 2.6 kg  
 Lamp types: E27 types  
 All lamp components as exchangeable modules..

## NYX 190 E27

Lamp type: max 57 W, max length/diameter: 130/58 mm  
 We recommend Deco Aurora LED, 7.5 W

## Product codes:

Item No.	E27 variants			
6022-	max 57 W			
<b>To be combined with:</b>	<b>Colour</b>			
	3 black RAL 9005			
	4 graphite grey			
	9 silver grey			
	17 corten brown			
	66 black noir 900			
Examples of product codes:	6022-66 = Nyx 190 E27, noir 900, class I			
<b>Optional</b>				
1100-6	A60 Deco Aurora LED dimmable, 7.5 W, 2700 K, 80 Ra, 20,000 hours operation			
60228	Base for visible cables - see sketch here			