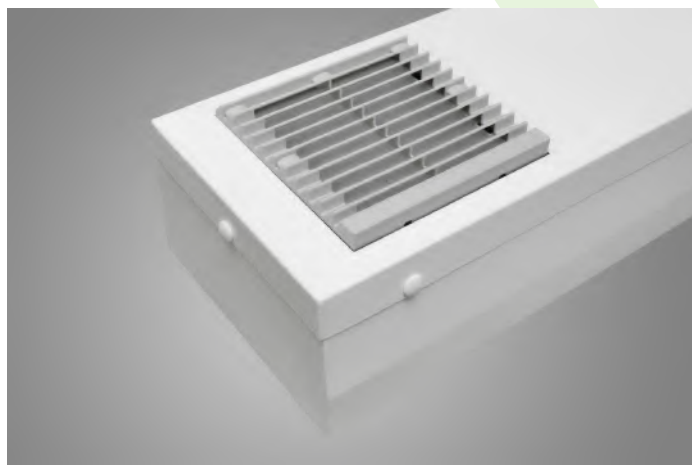
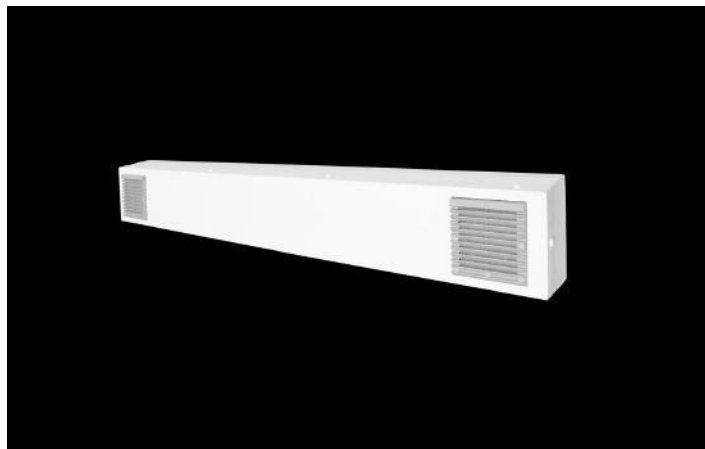




## AIRSTREAM UV-C

### Bactericidal UV-C luminaires

The luminaire produced in a factory with ISO 13485 medical certificate



Bactericidal luminaire produced in the plant, which is the only one in Poland, it has a quality management system for production Medical Devices ISO 13485 - design certificate and making lighting fittings for medical use. Luminaire with forced air circulation, designed for T8 fluorescent lamps and adapted for wall mounting. This is a luminaire that has an internal closed and sealed chamber for disinfection and the whole process takes place thanks to the air flow. The high-quality housing does not draw air through the gaps but its the oblique design prevents dust from forming during horizontal work position. In addition, the housing is protected with an antibacterial coating. Ignition ballast placed in a separate and sealed chamber protected against the ingress of dust that may cause negative effects such as short circuit on the housing. The components used are UV-resistant: covered lampholders, power supply, cords and fan. Air inlet equipped comes with a replaceable filter to prevent dust from entering inside the luminaire. Filter replacement is carried out without necessity opening the entire luminaire. Built-in industrial fan in the outlet with ball bearings. Two variants of the air inlet:

- 1) inlet on the front together with the air outlet grille (F);
- 2) inlet together with a filter on the side end cap which ensures greater efficiency devices (S).

Due to the fact that the entire disinfection process takes place inside housing, it is completely safe and recommended for work in rooms where it must be at the same time with working staff.

#### Versions:

NF – ceiling mounting

WF – wall mounting

GS / GF – mounting on mobile floor stand

MGS / MGF – mounting on mobile floor stand with wheels

The lamp emits noise of 55-60dB (at a distance 1 around)

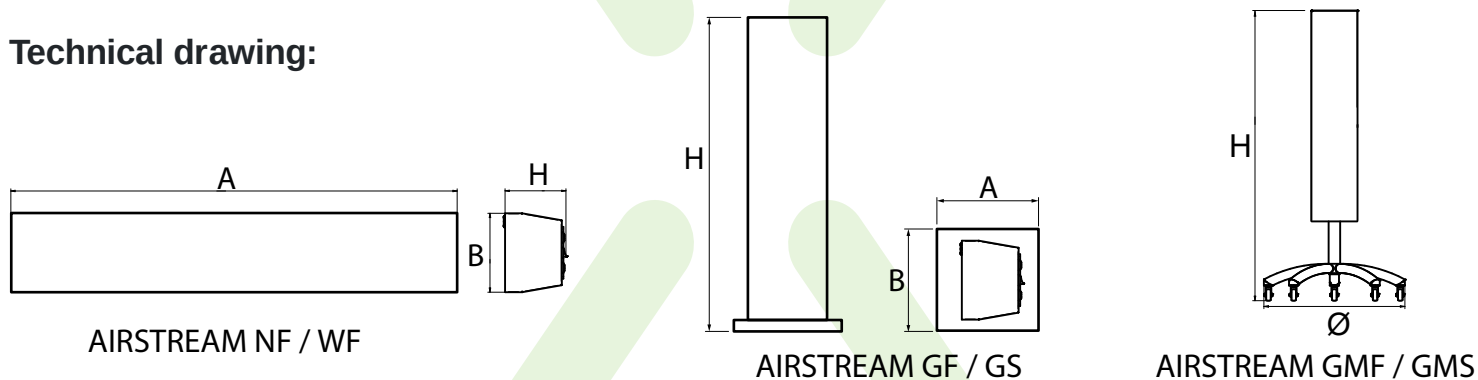
Pictograms:



Main parameters:

Name	Type of UV-C source	Power of luminaire [W]	Socket	Dimensions A x B x H [mm]
AIRSTREAM NF / WF UV-C	T8	2 x 30	G13	1200 x 200 x 130
AIRSTREAM NF / WF UV-C	T8	2 x 36	G13	1503 x 180 x 140
AIRSTREAM GS UV-C	T8	2 x 30	G13	1170 x 350 x 350
AIRSTREAM GS UV-C	T8	2 x 36	G13	1475 x 350 x 350
AIRSTREAM GF UV-C	T8	2 x 30	G13	1236 x 350 x 350
AIRSTREAM GF UV-C	T8	2 x 36	G13	1541 x 350 x 350
AIRSTREAM GMS UV-C	T8	2 x 30	G13	∅ 600 x 1350
AIRSTREAM GMS UV-C	T8	2 x 36	G13	∅ 600 x 1655
AIRSTREAM GMF UV-C	T8	2 x 30	G13	∅ 600 x 1416
AIRSTREAM GMF UV-C	T8	2 x 36	G13	∅ 600 x 1721

Technical drawing:



Light and electrical features:

Light source	T8
Voltage	220..240 V, 50..60 Hz
Lifetime of light source [h]	9000
Operating temperature range [°C]	5 ÷ 30
Driver	profesional ballast

Biocidal features:

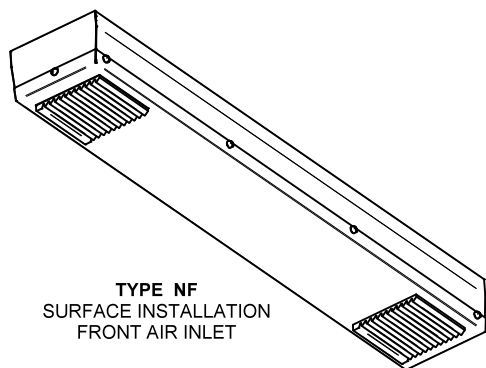
Dominant wavelength [nm]	254
Others	- light sources contain a small amount of mercury - for the first 100 hours of lamp operation, light sources emit a small amount of ozone. After it is recommended to ventilate the room.
Fan efficiency	150 m <sup>3</sup> /h
Air flow through the luminaire:	75 m <sup>3</sup> /h
Disinfected cubature	25÷50 m <sup>3</sup> /h
Max room size	10÷20 m <sup>2</sup>

Mechanical features:

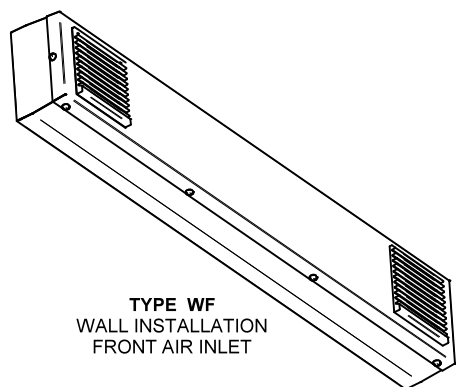
Assembly	on the wall (version WF) direct to ceiling (version NF) on portable stand (version GS/GF) on portable stand with wheels (version GMS/GMF)
Material	steel sheet
Color	white (antibacterial paint)
Others (optional)	The counter monitoring the working time of lamps
Timer (optional)	Programmable lamp cycle timer: Delayed shutdown Delayed switching on Cyclic shutdown Cyclical switching Delayed momentary switching on
Accessories	rotary holders for wall/ceiling mounting (for version NF/WF)



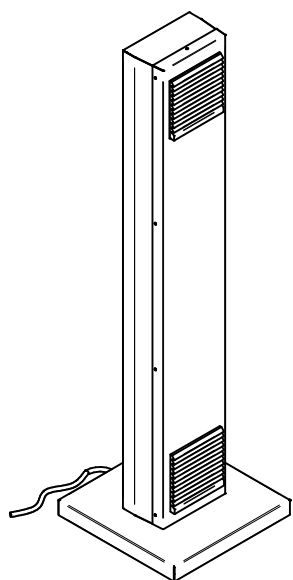
**Description**



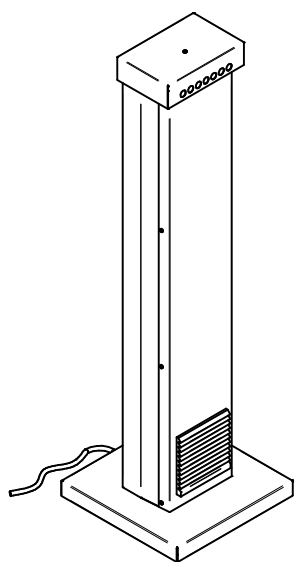
**TYPE NF**  
SURFACE INSTALLATION  
FRONT AIR INLET



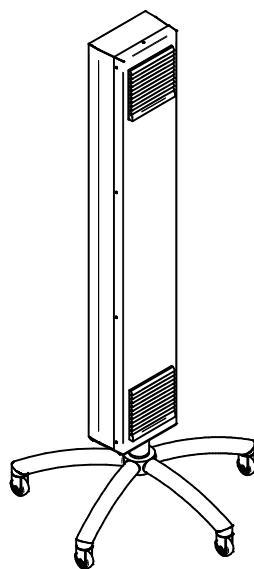
**TYPE WF**  
WALL INSTALLATION  
FRONT AIR INLET



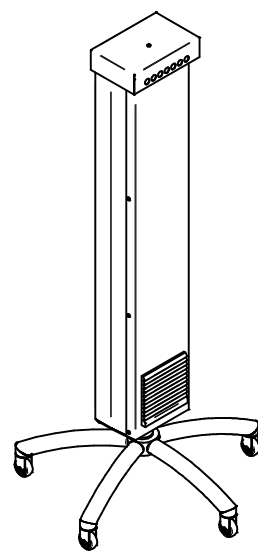
**TYPE GF**  
BASE INSTALLATION  
FRONT AIR INLET



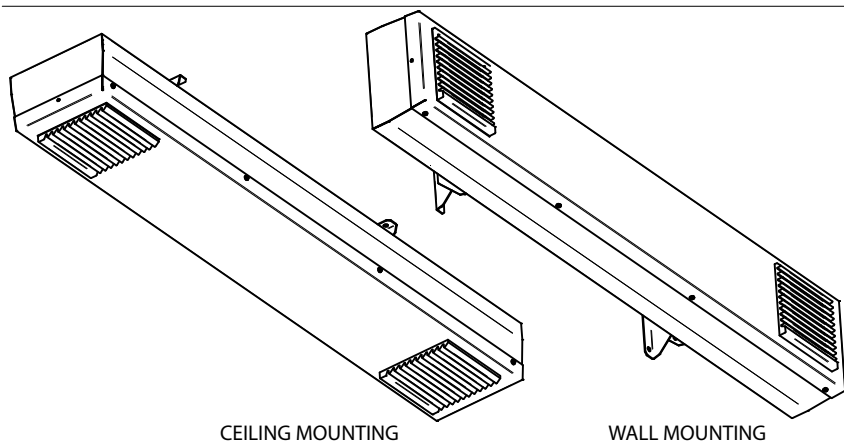
**TYPE GS**  
BASE INSTALLATION  
UP AIR INLET



**TYPE GMF**  
MOBILE  
FRONT AIR INLET

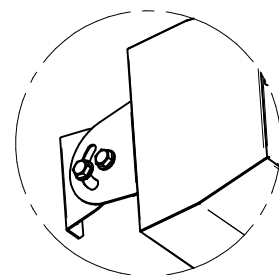


**TYPE GMS**  
MOBILE  
UP AIR INLET



CEILING MOUNTING

WALL MOUNTING



FOR VERSION NF / WF POSSIBILITY  
TO ADD SET OF ROTARY HOLDERS