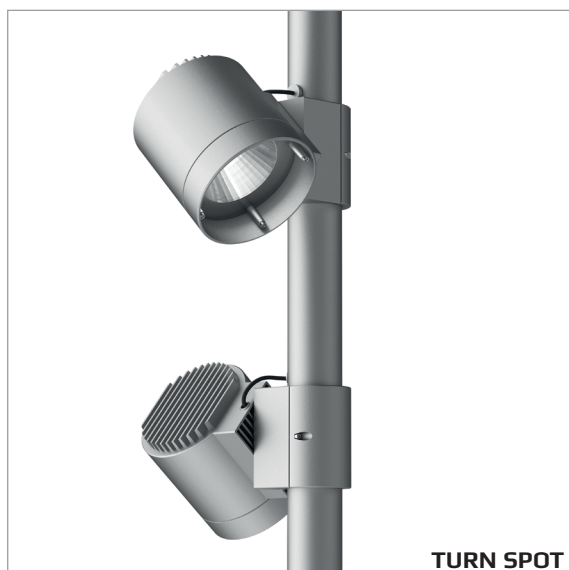


# Turn

Design: FRIIS & MOLTKE Design



**Turn** by Friis & Moltke Design is a new brand in the Focus program.

The luminaires in cast aluminium have silk-edged shades in clear glass. The housing is completed by a long ring in cast aluminium or a short, opal-white acrylate ring.

**Turn** is available as a spot with reflector or with optics for asymmetrical light.



**Turn Spot** is equipped with a long ring in cast aluminium for cut-off and antiglare.

**Turn Spot Halo** is equipped with a short, opal-white acrylate ring, opening the luminaire and offering optical guidance.

Both spots are equipped with reflector and LED with light distribution in three angles: narrow ( $12^\circ$ ), medium ( $19^\circ$ ), and wide ( $38^\circ$ ).

The spots can be adjusted horizontally around the post and vertically in the bracket. When holes have been bored in the post, the spots can be turned 90 degrees to both sides.

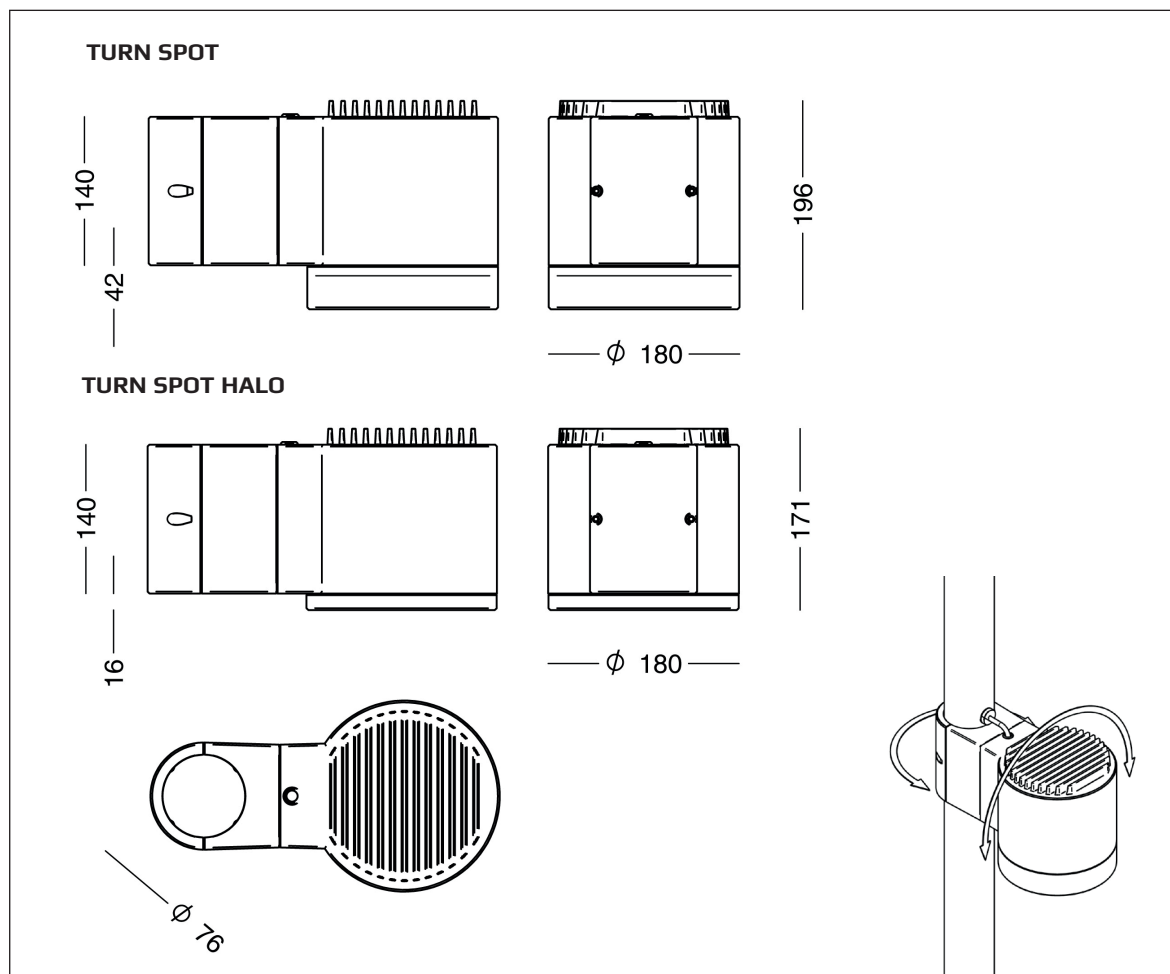


**Turn Street Halo** is available in one version only. The closing with the short, opal-white ring opens up for asymmetrical light onto cycling lanes and pedestrian areas.

The street luminaire will be equipped with programmed LED and lenses for asymmetrical light.

# Turn Spot

Design: FRIIS & MOLTKE Design



## Luminaire specification:

Material:	
Turn Spot:	Cast aluminium
Turn Spot Halo:	Cast aluminium and opal-white acrylate
Coating:	Graphite grey: YW355F Silver grey: Y2370I Corten brown: YX355F Black: Noir 900 Sablé, SN351F
Shade:	Clear glass with silk coating at the edge Honeycomb filter optional
Mounting:	At conical post, or design post with 76 mm cylindrical extension Adapter for 60 mm post optional
Lead:	8.5 m lead, 2 x 1 mm <sup>2</sup> , is included
Connection:	In the post
Classification:	IP66, class II
Impact resistance:	IK08
Corrosion class:	C4
Wind sweeping area:	0.053 m <sup>2</sup>
Weight:	6 kg

## LED and driver specification:

LED:	Bridgelux V18
Beam angles:	wide (38°), medium (19°), or narrow (12°)
Operational life:	min 100,000 hours at ta max 25°C, L90B10
Colour temperature:	2700, 3000, or 4000 Kelvin
Colour rendering:	min 80 Ra
Colour accuracy:	3 steps SDCM
Luminous power:	2700K: 1630-4700 lm, CLO 3000K: 1730-5000 lm, CLO 4000K: 1790-5100 lm, CLO
Driver:	Xitanium Full Xi FP 40 W 0.3-1.0 A programmable
Inrush current:	max 22 A (50% after 290 µs)
Dimming:	15-100% in time intervals or DALI (4-conductor cable), Line switch
Alternatively:	DALI via Zhaga book 18 socket
Surge protection:	L/N-GND: 10 kV L-N: 6 kV
Operational life:	min 100,000 hours

# Turn Spot - Product Codes

Design: FRIIS & MOLTKE Design

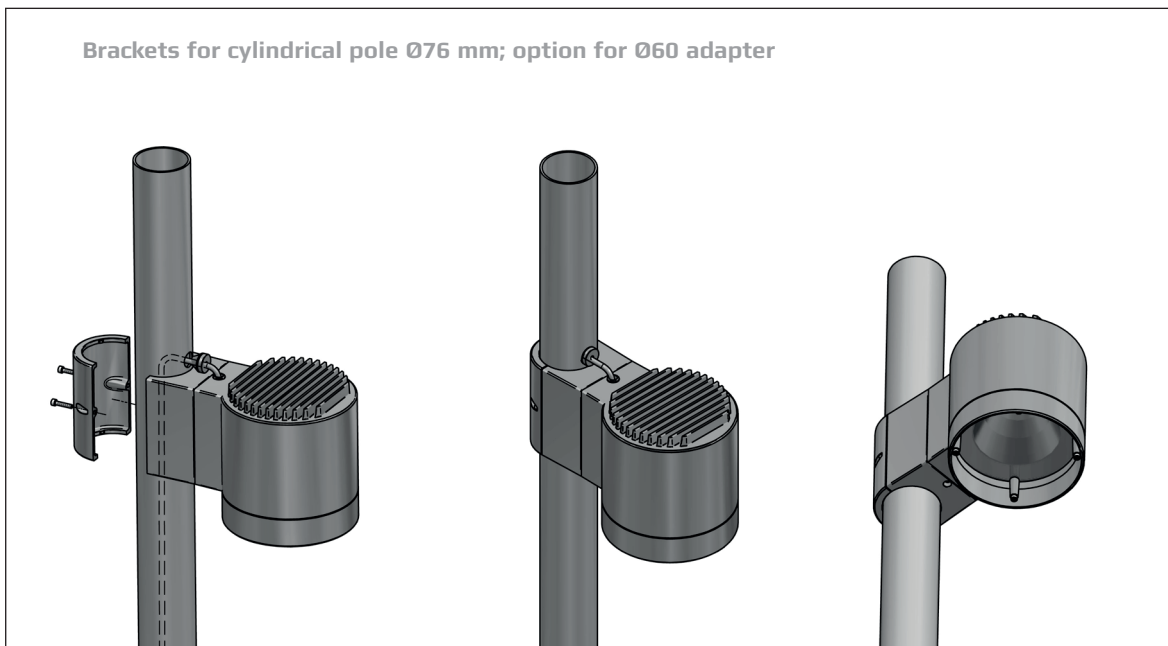
## Product codes:

<b>Turn Spot</b>		Select colour, colour temperature, etc in the table below.					
Item No.	Beam angle	Lamp type					
8836-	Wide 38°	Bridgelux V18, max 5100 lm, programmable					
8837-	Medium 19°	Bridgelux V18, max 5100 lm, programmable					
8838-	Narrow 12°	Bridgelux V18, max 5100 lm, programmable					
<b>Turn Spot Halo</b>							
Item No.	Beam angle	Lamp type					
8840-	Wide 38°	Bridgelux V18, max 5100 lm, programmable					
8841-	Medium 19°	Bridgelux V18, max 5100 lm, programmable					
8842-	Narrow 12°	Bridgelux V18, max 5100 lm, programmable					
Combine with:	Colour	Colour temperature		Dimming/Control		Protection class	
	4 graphite grey	827	2700 K, 80 Ra	empty	programmable	empty	class II
	9 silver grey	830	3000 K, 80 Ra	D	Dali	J	class I
	17 corten brown	840	4000 K, 80 Ra	F	phase		
	66 noir 900			R	socket with SR driver, Zhaga book 18		
				RC	as above, City Touch		
	Filter	Mounting					
	empty no filter	empty	brackets for cylindrical post				
	Y honeycomb filter	B90	brackets for conical post, Ø60-90 mm				
		B121	brackets for conical post, Ø91-121 mm				
Example Order No.: 8836-9830J = Turn Spot, wide, max 5000 lm, programmable, silver grey, 3000 K, 80 Ra, class I							
<b>4 m post: 3 m conical + 1 m cylindrical extension Ø76 mm - for two fittings</b>							
Item Nos.	Mounting	Select colour in the table below.					
3170-	rooted base						
3270-	flanged base						
<b>5.5 m post: 3.5 m conical + 2 m cylindrical extension Ø76 mm - for three fittings</b>							
Item Nos.	Mounting	Select colour in the table below.					
3172-	rooted base						
3272-	flanged base						
<b>7 m post: 4 m conical + 3 m cylindrical extension Ø76 mm - for three or more fittings</b>							
Item Nos.	Mounting	Select colour in the table below.					
3174-	rooted base						
3274-	flanged base						
Combine with:	Colour						
	4 graphite grey						
	7 galvanised						
	9 silver grey						
	17 corten brown						
	66 noir 900						
Optional							
1714-1	Adapter for Ø60 mm post						
50200	Rooted base for Ø 108-140 mm post						
97033	Fuse box for 1 Neozed fuse up to 16 A						
97070	Fuse box for 2 Neozed fuses up to 16 A						
50271	Fuse box for 3 Neozed fuses up to 16 A						

# Turn - brackets for cylindrical or conical pole

Design: FRIIS & MOLTKE Design

Brackets for cylindrical pole  $\varnothing 76$  mm; option for  $\varnothing 60$  adapter



Flexible brackets for conical pole or cylindrical  $> \varnothing 76$  mm

