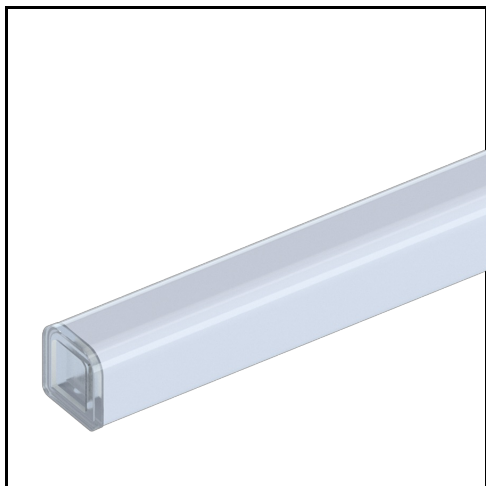


# NEPTUNE White High Efficiency HD IP68

Area: **Outdoor Luminaires**

Category: **Under water**

Mounting: **Surface-mounted / Recessed-mounted**



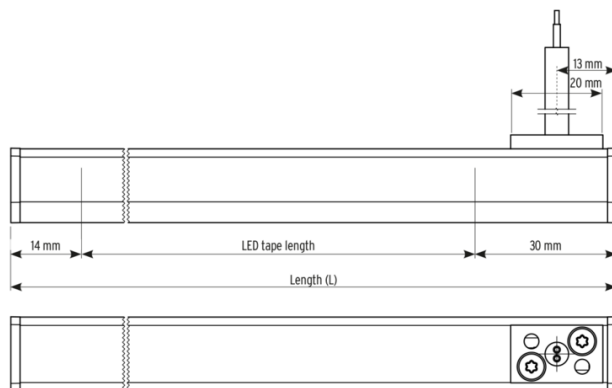
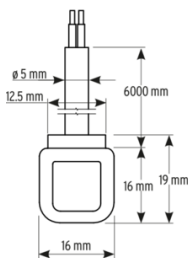
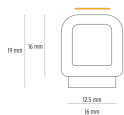
Rigid linear IP68 rated fixture with opal PVC extruded body and 220° beam angle in custom lengths up to 5 m.

- Submersible up to 1 m (depths down to 5 m are also possible after consultation your LED Linear™ partner).
- Chlorine resistant up to 5 ppm and even higher resistance during shock treatment.
- Homogeneous lines of light up to 5 m in single piece.

Detailed specification text in download section.

## DIMENSIONS & AVAILABLE LENGTHS

**16 mm x 16 mm**



Fixture build to length (not field cuttable):  $L = (N \times 62.5 \text{ mm}) + 44 \text{ mm}$ ;  $N = 8 \dots$  (as follows);  $L_{\min} = 544 \text{ mm}$ ; HD6/HD10:  $N_{\max} = 80$ ;  $L_{\max} = 5,044 \text{ mm}$ ; HD15:  $N_{\max} = 64$ ;  $L_{\max} = 4,044 \text{ mm}$

## TECHNICAL SPECIFICATIONS

### Certifications



### Key Features



Recessed-mounted (Under water)    Surface-mounted (Under water)

### Technical Data/Performance



Static White    IP68    Lifetime > 50,000 h    OneBinOnly    Photometrical code Wxxx / 339    SDCM3    S-025 CIE S-025 compliant    Reel-to-Reel (R2R)    Resistant to solvents    Saltwater resistant



Protection against immersion

## ELECTRICAL & OUTPUT DATA

Voltage	24 Volt (23 V <sub>min</sub> , 25 V <sub>max</sub> )
Case Temperature (T <sub>cmin</sub> & T <sub>cmax</sub> )	T <sub>cmin</sub> = -25°C, T <sub>cmax</sub> = specific, see Table below
Storage Temperature (T <sub>smin</sub> & T <sub>smax</sub> )	T <sub>smin</sub> = -30°C, T <sub>smax</sub> = 85°C
Ambient Temperature (T <sub>amin</sub> & T <sub>amax</sub> )	T <sub>amin</sub> = °C, T <sub>amax</sub> = specific, see Table below

NEPTUNE White High Efficiency HD IP68	6 W/m	10 W/m	15 W/m
Power (W/m)	6	10	15
Efficacy (lm/W)	27	27	39
max. length (m)	-	-	-
max. serial run length (m)	-	-	-
CRI / R9 (up to)	96 / 81	96 / 81	86 / 36
Temperature T <sub>c</sub> -point (T <sub>cmax</sub> )	70°C	70°C	70°C
max. ambient temp. (T <sub>amax</sub> )	50°C	50°C	50°C

NEPTUNE White High Efficiency HD IP68	low output <span style="float:right">high output</span>		
	6 W/m	10 W/m	15 W/m
<b>Color temperature</b>	<b>luminaire lumens/meter (lm/m)<sup>A</sup></b>		
● W927    2,700K	150	260	510
● W930    3,000K	160	260	340
● W935    3,500K	160	270	570
● W940    4,000K	160	270	580

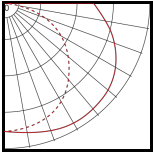
! To configure the specific luminaire please use the online configurator.

Please note: The orange values are CRI 90 specifications.

## AVAILABLE OPTICS

---

### Opal PVC



## ORDER CODE

Example:

NEPTUNE HYD **6 W927** IP68

## TYPICAL APPLICATIONS

**CONFIGURE NOW!**

Options for the order code:      Your selections  :

**LED tape** .....

6 (6 W/m)       6

10 (10 W/m)     10

15 (15 W/m)     15

**Color temperature** .....

2,700 K       W927

3,000 K       W930

3,500 K       W935

4,000 K       W940

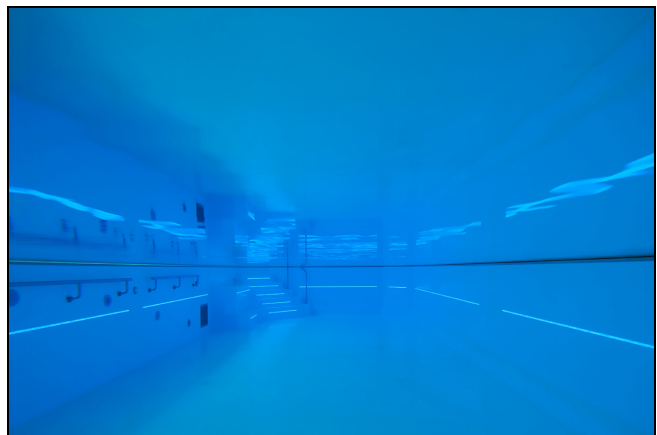
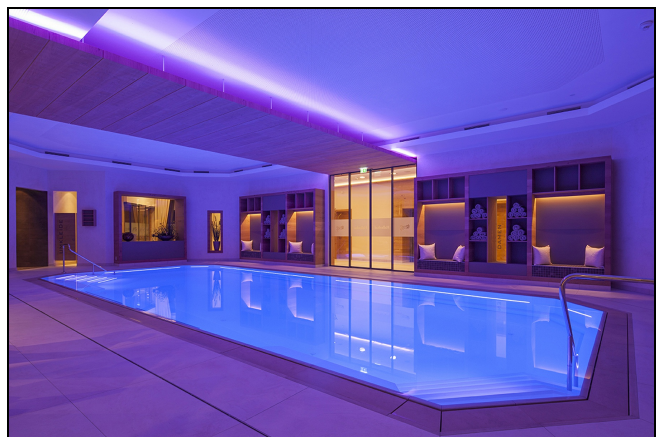
Please note: The orange values are CRI 90 specifications.

**Length** .....

L<sub>min</sub>: 544 mm       0544

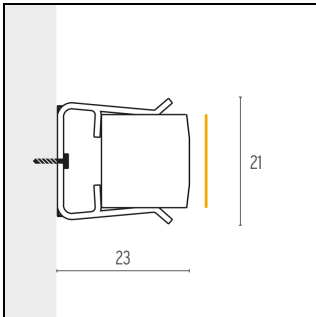
L<sub>max</sub>: 5,044 mm     5044

Fixture build to length (not field cuttable):  $L = (N \times 62.5 \text{ mm}) + 44 \text{ mm}$ ;  $N = 8 \dots$  (as follows); L<sub>min</sub> = 544 mm; HD6/HD10: N<sub>max</sub> = 80; L<sub>max</sub> = 5,044 mm; HD15: N<sub>max</sub> = 64; L<sub>max</sub> = 4,044 mm

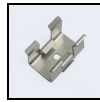


## MOUNTING

### Surface-mounted



### Mounting accessories

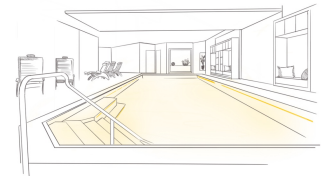


VarioClip TV 30mm  
316L  
Mounting Clamp  
Art.-#: 13000050-01

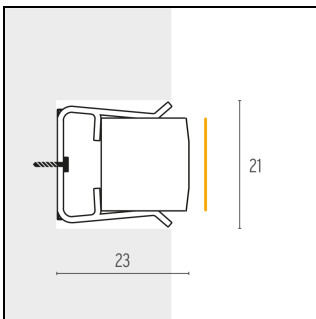
### Description

Special grade stainless steel surface mounting clip for harsh environments. Recommended to use for overhead mounting 5 brackets per meter (3 brackets for other mountings).

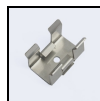
### Example of application



### Recessed-mounted



### Mounting accessories

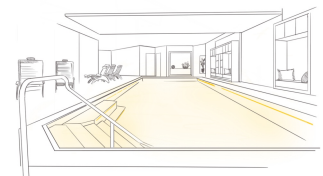


VarioClip TV 30mm  
316L  
Mounting Clamp  
Art.-#: 13000050-01

### Description

Special grade stainless steel surface mounting clip for harsh environments. Recommended to use for overhead mounting 5 brackets per meter (3 brackets for other mountings).

### Example of application



## POWER SUPPLY UNIT (PSU) & CONTROLS

### Recommended PSU

VarioPSU 24V/90W IP67, 0-10V Black  
Art.-#: 16000154



Dimensions (L x H x W) :	<b>171 mm x 63 mm x 37.5 mm</b>
Electrical Class:	<b>SK II</b>
LED Drive:	<b>CV</b>
Voltage (V):	<b>24 V</b>
Rated Power (W):	<b>90 W</b>
Input Voltage (Vac):	<b>90 -305</b>
Region:	<b>WR</b>
Certificates:	<b>ENEC, UL</b>
Schutzart:	<b>IP67</b>
Indoor/Outdoor:	<b>Outdoor</b>

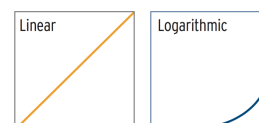
### Recommended Control

IN.finite CASAMBI 2Ch CV  
Art.-#: 16000267-EVO



Dimensions (L x H x W) :	<b>188 mm x 21 mm x 30 mm</b>
Channels:	<b>2</b>
Dimming Options:	<b>Casambi BLE</b>
Dimming:	<b>PWM (f ~ 1600Hz)</b>
Dimming Curve:	<b>Lin/Log/free conf.</b>
Dimming Range:	<b>100% - 0%</b>
Voltage (V):	<b>12-50V</b>
Certificates:	<b>tbd</b>
Schutzart:	<b>IP10</b>
Indoor/Outdoor:	<b>Indoor</b>

### Dimming



**VOLTAGE DROP INFORMATION FOR THE FEED-IN LINE (PSU / CONTROL TO FIXTURE)****0.34 mm<sup>2</sup> / AWG 22**

NEPTUNE White High Efficiency HD IP68	6	10	15
Product run Length	max. cable length between PSU / Control unit and the luminaire		
1 m	32.3 m	19.4 m	
2 m	16.1 m	9.7 m	
3 m	10.7 m	6.4 m	
4 m	8 m	4.8 m	
5 m	6.4 m	3.8 m	

**1.5 mm<sup>2</sup> / AWG 15**

NEPTUNE White High Efficiency HD IP68	6	10	15
Product run Length	max. cable length between PSU / Control unit and the luminaire		
1 m	142.8 m	85.6 m	
2 m	71.4 m	42.8 m	
3 m	47.6 m	28.5 m	
4 m	35.7 m	21.4 m	
5 m	28.5 m	17.1 m	

Calculation based on a max. voltage drop of 0.85 V.  
Calculation refers to the cable configuration on-site.