

Square - laser cutting in front



The laser cutting results in distinct figures and letters in the front of Square.

Up to four digits, depending on width of digits and the required height. In the following catalogue we show the possibilities for the four categories of Square:

Category A: Square 270, LED see page 2

Category B: Square 270, E27 see page 3

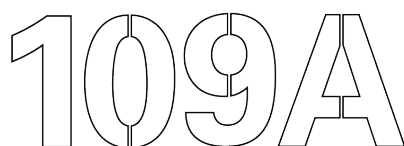
Category C: Square 250, LED see page 4

Category D: Square 250, E27 see page 5

Standard cuttings are Universe Bold. All digits as well as examples of letters can be seen at page 6.

Category A: Square 270, LED

A-1: 70 mm

The image shows the LED sign '109A' in a bold, outline font. The digits '1', '0', and '9' are connected to the letter 'A'. The sign is centered within a square frame.

Category A-1

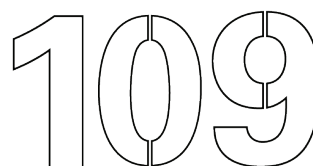
Square 270, LED

Font: Universe Bold

Scale: 1:4

Digit height: 70 mm, max height with four digits, one of which must be 1

A-2: 80 mm

The image shows the LED sign '109' in a bold, outline font. The digits '1', '0', and '9' are connected. The sign is centered within a square frame.

Category A-2

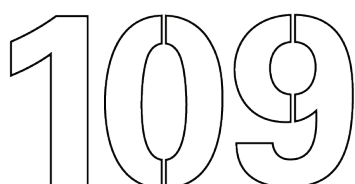
Square 270, LED

Font: Universe Bold

Scale: 1:4

Digit height: 80 mm

A-3: 90 mm

The image shows the LED sign '109' in a bold, outline font. The digits '1', '0', and '9' are connected. The sign is centered within a square frame.

Category A-3

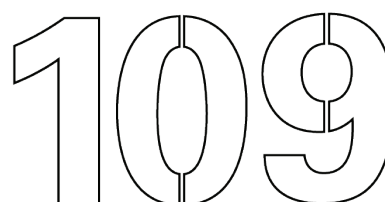
Square 270, LED

Font: Universe Bold

Scale: 1:4

Digit height: 90 mm

A-4: 100 mm

The image shows the LED sign '109' in a bold, outline font. The digits '1', '0', and '9' are connected. The sign is centered within a square frame.

Category A-4

Square 270, LED

Font: Universe Bold

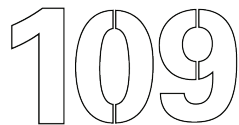
Scale: 1:4

Digit height: 100 mm

3 digits possible only if one of them is 1

Category B: Square 270, E27

B-1: 60 mm

A large, hollow outline of the number '109' centered within a square frame.

Category B-1

Square 270, E27

Font: Universe Bold

Scale: 1:4

Digit height: 60 mm

B-2: 40 mm

A smaller, hollow outline of the number '109' centered within a square frame.

Category B-2

Square 270, E27

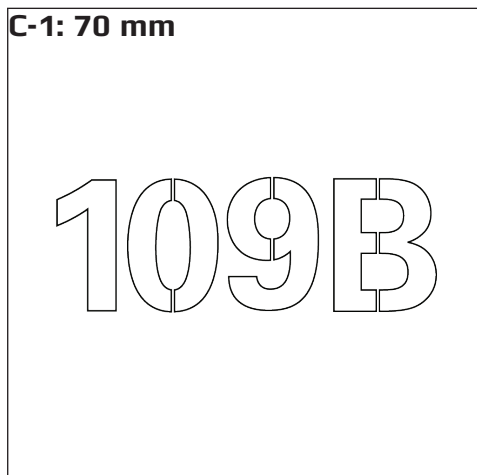
Font: Universe Bold

Scale: 1:4

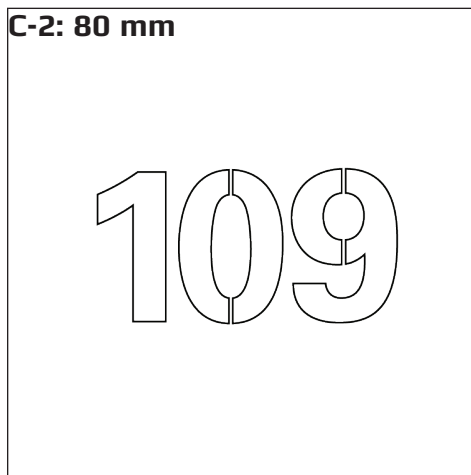
Digit height: 40 mm

Category C: Square 250, LED

C-1: 70 mm



C-2: 80 mm



Category C-1

Square 250, LED

Font: Universe Bold

Scale: 1:4

Digit height: 70 mm, max height with four digits, one of which must be 1

Category C-2

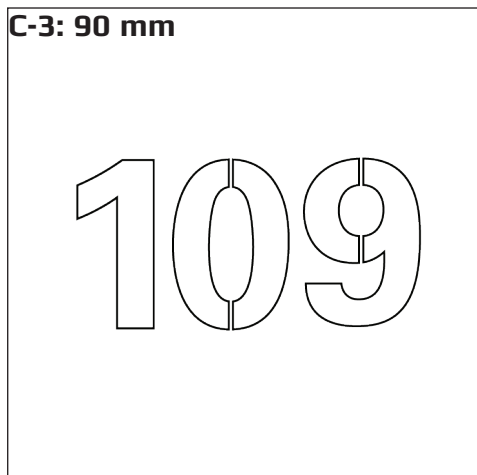
Square 250, LED

Font: Universe Bold

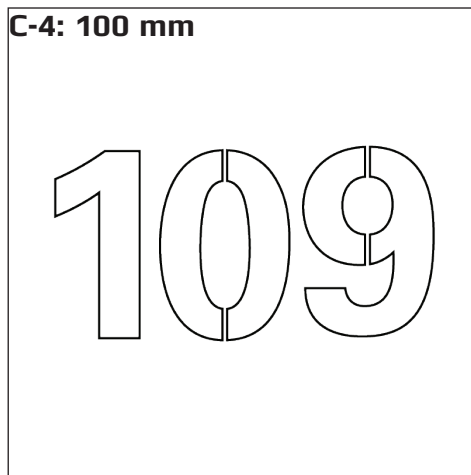
Scale: 1:4

Digit height: 80 mm

C-3: 90 mm



C-4: 100 mm



Category C-3

Square 250, LED

Font: Universe Bold

Scale: 1:4

Digit height: 90 mm

Category C-4

Square 250, LED

Font: Universe Bold

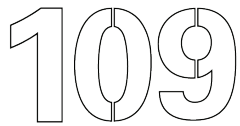
Scale: 1:4

Digit height: 100 mm

3 digits possible only if one of them is 1

Category D: Square 250, E27

D-1: 60 mm

A large, hollow outline of the number '109' centered within a square frame.

D-2: 40 mm

A smaller, hollow outline of the number '109' centered within a square frame.

Category D-1

Square 250, E27

Font: Universe Bold

Scale: 1:4

Digit height: 60 mm

Category D-2

Square 250, E27

Font: Universe Bold

Scale: 1:4

Digit height: 40 mm

Square - laser cuttings

Font: Universe Bold

0 1 2 3 4

5 6 7 8 9

A B