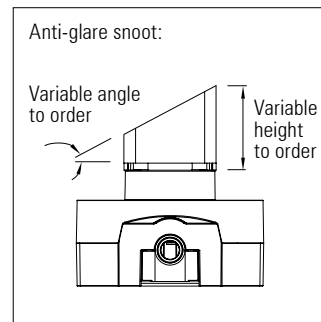
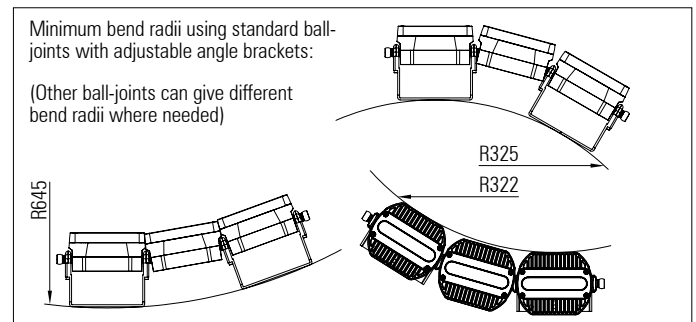
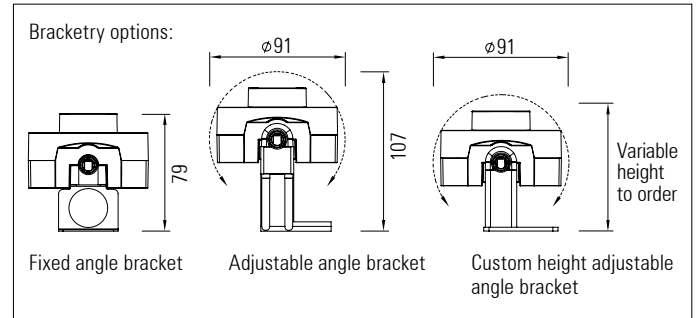
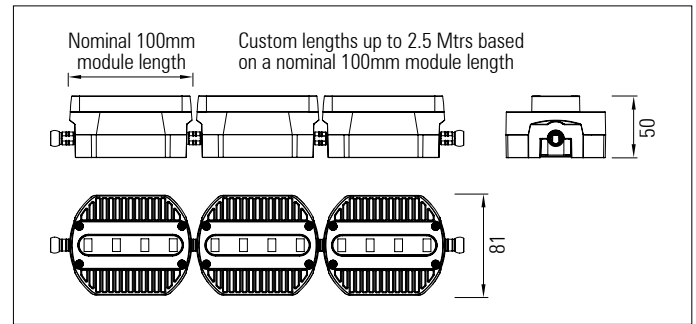


3D LED Flex system 100 IP66

2, 3 or 4 x high power LEDs with lenses per module

Modular, 3D flexible LED linear lighting system



Up to 8,700 Lumens per Mtr

2, 3 or 4 x high power LEDs with lenses per module

Modular, 3D flexible LED linear lighting system

Product description:

For use in exterior indirect cove lighting or direct wall washing applications where the building surfaces are non linear with curved profiles

Each module - 2, 3 or 4 x Cree XP-E, XP-G or XQ-E LEDs or Osram Oslon LEDs with Ledil Lisa, Larisa, Tina or Veronica Mini lenses

Up to 10 Watts per 100mm module

30 Volt - 48 Volt DC supply depending on application

Flexible in 3 dimensions - Articulated ball-joint system between modules

LED pitch is maintained between the modules

Side, back and end power feed and connector options allow for continuous lighting with no dark areas between fixtures. 17.5 Amp IP68 connectors join fixtures together on-site

Integral LV constant current driver

Dimming options available: 1-10V, DMX and DALI. Separate dimming channel

Various LED colour temperature and CRI options available

Satin black, satin white or any RAL paint colour finish

Custom lengths based on a 100 mm module up to 2.5 mtrs

Various mounting options and bracket types are available

Low iron UV block glass covers or UV stable polycarbonate windows

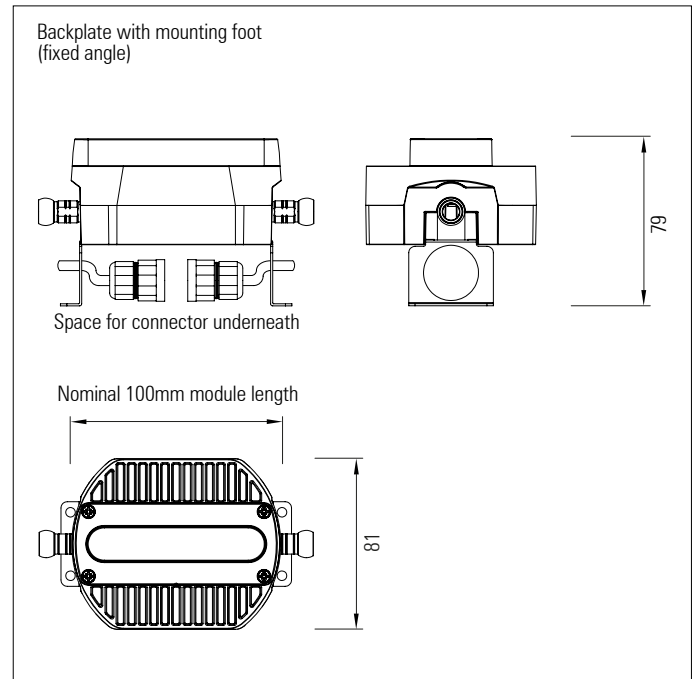
* RGB, RGBW, RGBA and Dynamic-white options do not use a colour mixing lens. For a colour mixing lens version see the data sheet for the 3D LED Flex 100 IP66 with 1 x RGBW LED array with colour-blending lens per module

Product Code	No. of LEDs per mtr.	IP	Length (mm)	LED Type	CRI	Colour Temp. (K)	Optics (°)	Cover	Bracket Type	Feed	Finish
RAD 3D LED FLEX 100 IP66 HP - 4 L	40 LEDs per Mtr: 25mm pitch	66	100mm	Cree: XP-E XP-G XQ-E	80 90	27=2,700k 30=3,000k 35=3,500k 40=4,000k 45=4,500k 50=5,000k	N, M, W, E, (See attached Ledil data sheets for details)	Clear	Adjustable Fixed Custom	End Back Side	Black White Any RAL-colour
RAD 3D LED FLEX 100 IP66 HP-3 L	30 LEDs per Mtr: 33mm pitch		-increments of 100mm up to-	Osram: Oslon		* RGB * RGBW * RGBA * Dynamic white	Contact Radiant for more options				
RAD 3D LED FLEX 100 IP66 HP - 2 L	20 LEDs per Mtr: 50mm pitch		2,500mm								

3D LED Flex system 100 IP66

2, 3 or 4 x high power LEDs with lenses per module

Fixed-angle and adjustable-angle mounting bracketry



Fixed-angle and adjustable-angle mounting bracketry for 3D LED Flex 100 IP66. 2, 3 or 4 x high power LEDs with lenses per module

The 3D LED Flex 100 system is flexible in 3 dimensions, which allows it to follow curved building contours

There are a number of bracket options available

Adjustable angle brackets allow the modules to be rotated around the major axis, so that the light output can be aimed precisely

The angle of the modules can be adjusted on-site by hand. The friction ball-joint system keeps the modules correctly positioned. There is also a lockable option, which allows each module to be locked in place using an Allen key once it is correctly positioned

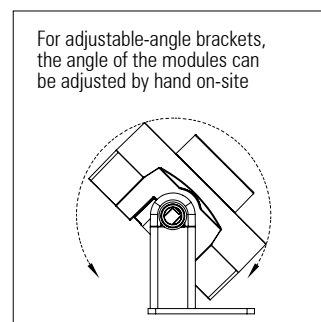
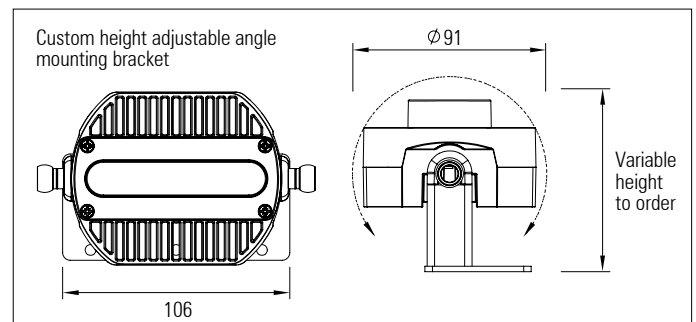
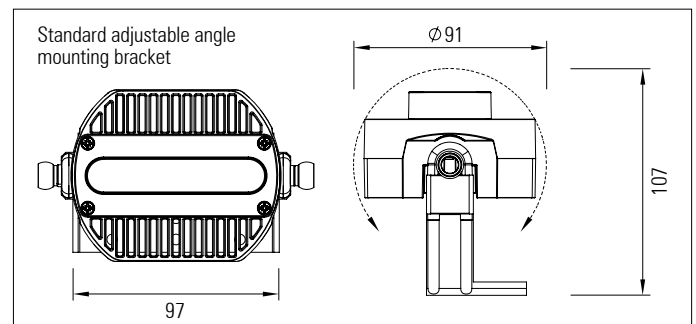
A standard height adjustable angle bracket and a custom height adjustable angle bracket are available

Fixed angle bracket options are also available. The standard fixed angle bracket has a mounting foot which has space for the connectors to fit underneath the modules

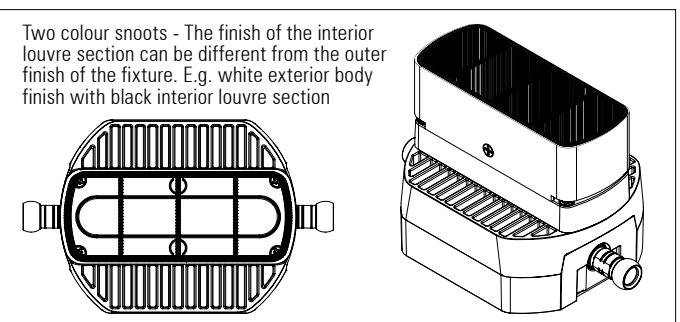
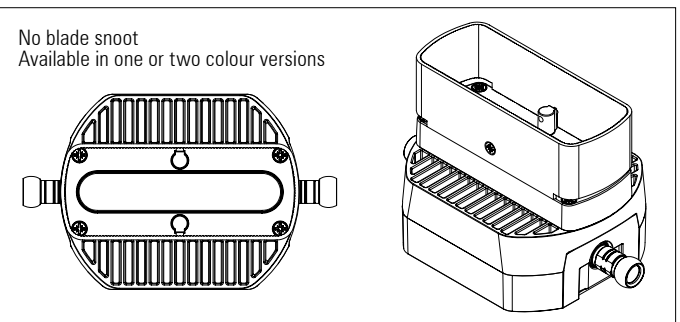
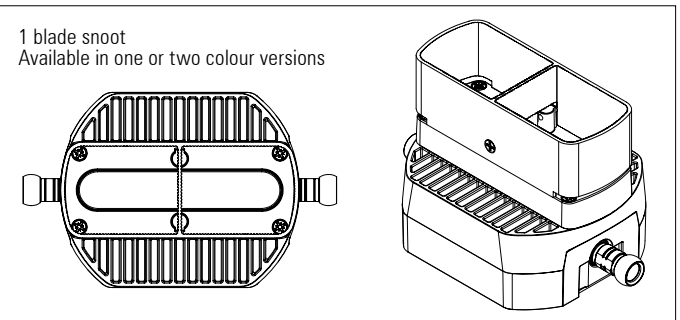
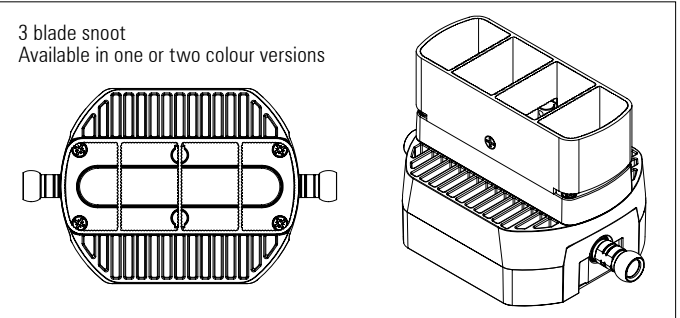
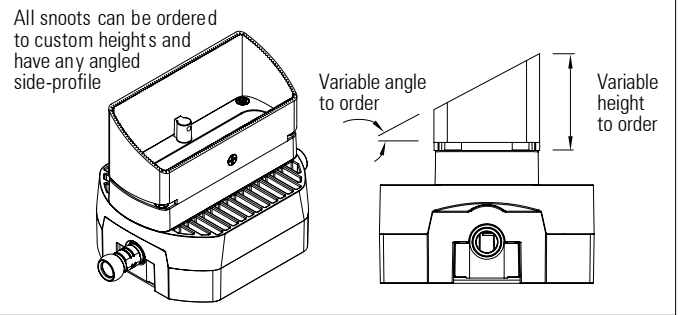
Custom options are also available

The brackets are aluminium with a powder coat finish which is available in satin black, satin white or any RAL colour

The custom height adjustable angle bracket is also available in stainless steel for more demanding exterior applications. Again, this is available with a powder coat finish in satin black, satin white or any RAL colour



Product code	IP	Finish	Height of legs (mm)
RAD 3D LED FLEX 100 IP66 FIXED ANGLE BRACKET WITH MOUNTING FOOT AL	66	Aluminium: Black White Any RAL - colour	Custom height version only: 20mm
RAD 3D LED FLEX 100 IP66 ADJUSTABLE ANGLE BRACKET STANDARD AL		Stainless steel: Black White Any RAL - colour	-increments of 5mm up to-
RAD 3D LED FLEX 100 IP66 ADJUSTABLE ANGLE BRACKET CUSTOM HEIGHT			300mm



3D LED FLEX 100 anti-glare accessories

For use with the 3D LED Flex 100 system to control light glare from the LEDs when the fixtures are not fully recessed

3 blade, 1 blade and no blade snoots are available

Satin black, satin white or any RAL paint colour finish. Two colour versions are also available - eg. white finish on exterior & black finish on interior of snoot. Both interior and exterior parts can be any RAL colour paint finish, or any anodised finish

Custom height to order. Straight or any custom cut angle side-profile to order

Product Code	No. of blades	IP	Height (mm)	Cut angle of side-profile (°)	Finish
RAD 3D LED FLEX 100 SNOOT	0 1 3	66	20mm -increments of 5 mm up to- 100mm	0° -increments of 5° up to- 75°	Black White Any RAL colour Two colour - both parts can be any anodised or any RAL colour

3D LED Flex 100 System

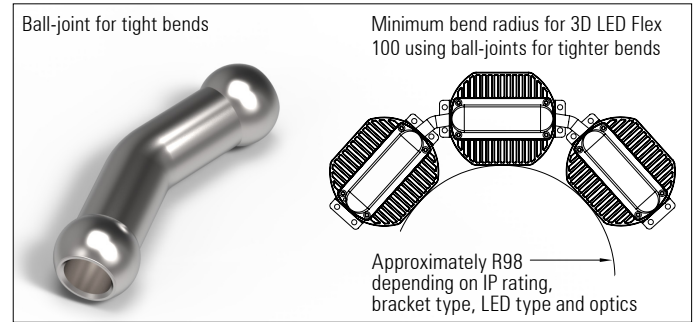
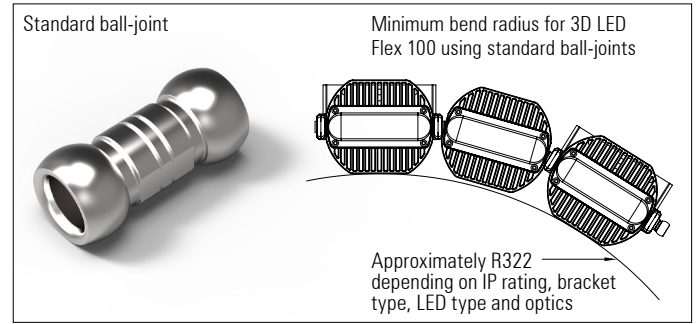
Ball-joint types

Product description:

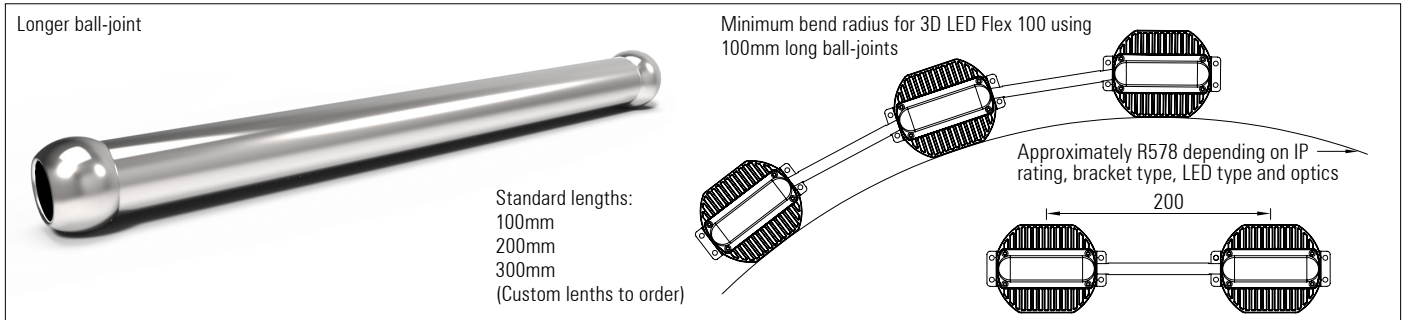
Radiant's 3D LED Flex 100 system comprises a patented articulated ball-joint system which links the heatsink modules.

The ball-joints system allows the strips to bend and twist in 3 dimensions, so that they can follow any building contours, whilst maintaining a constant LED pitch.

There are various types of ball-joint to suit different applications, some of which can be seen on this data sheet. Please contact Radiant to discuss custom solutions.



Product Code	Material	Length (mm)
STANDARD BALL-JOINT BALL-JOINT TIGHT BENDS BALL-JOINT LONG	Nickel-plated brass	(For longer ball-joints) 100mm 200mm 300mm Custom lengths



LARISA-RS-CLIP16

~19° real spot beam. Clip fastening for 1.6 mm thick PCB

TECHNICAL SPECIFICATIONS:

Dimensions	9.9 mm
Height	7.5 mm
Fastening	clips
Colour	black
Box size	
Box weight	5.8 kg
Quantity in Box	10000 pcs
ROHS compliant	yes ⓘ



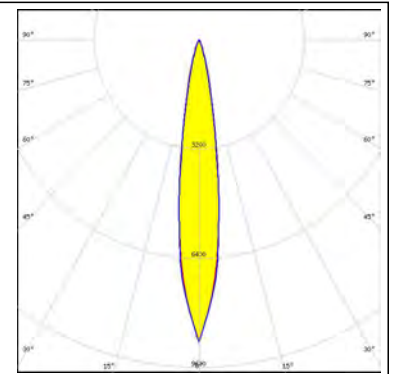
MATERIAL SPECIFICATIONS:

Component	Type	Material	Colour
LARISA-RS	Single lens	PMMA	clear
LARISA-HOLDER-CLIP16	Holder	PC	black

PHOTOMETRIC DATA (SIMULATED):



LED XP-E
FWHM 15.0°
Efficiency 92 %
Peak intensity cd/lm
LEDs/each optic 1
Light colour White
Required components:



LARISA-M-CLIP16

~30° medium beam. Clip fastening for 1.6 mm thick PCB.

TECHNICAL SPECIFICATIONS:

Dimensions	9.9 mm
Height	7.5 mm
Fastening	clips
Colour	black
Box size	
Box weight	6.6 kg
Quantity in Box	10000 pcs
ROHS compliant	yes ⓘ



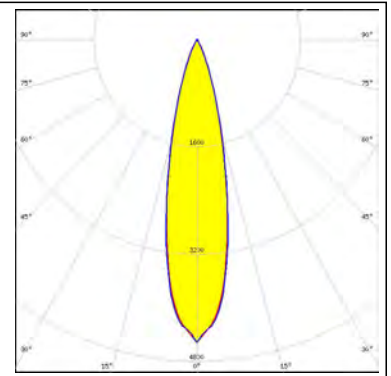
MATERIAL SPECIFICATIONS:

Component	Type	Material	Colour
LARISA-M	Single lens	PMMA	clear
LARISA-HOLDER-CLIP16	Holder	PC	black

PHOTOMETRIC DATA (SIMULATED):

CREE 

LED XP-E
FWHM 23.0°
Efficiency 94 %
Peak intensity cd/lm
LEDs/each optic 1
Light colour White
Required components:



LARISA-O-CLIP16

~40° x 20° oval beam. Clip fastening for 1.6 mm thick PCB.

TECHNICAL SPECIFICATIONS:

Dimensions	9.9 mm
Height	7.5 mm
Fastening	clips
Colour	black
Box size	300 x 260 x 260 mm
Box weight	6.6 kg
Quantity in Box	10000 pcs
ROHS compliant	yes ⓘ



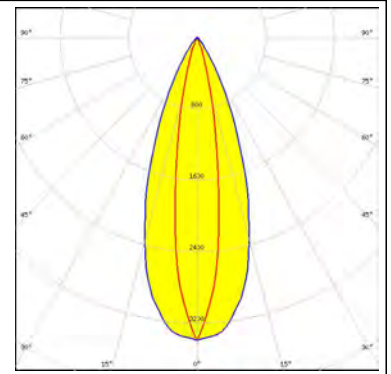
MATERIAL SPECIFICATIONS:

Component	Type	Material	Colour
LARISA-O	Single lens	PMMA	clear
LARISA-HOLDER-CLIP16	Holder	PC	black

PHOTOMETRIC DATA (SIMULATED):

CREE ⇄

LED XP-E
FWHM 39.0 + 17.0°
Efficiency 89 %
Peak intensity cd/m
LEDs/each optic 1
Light colour White
Required components:



LARISA-W-CLIP16

~50° wide beam. Clip fastening for 1.6 mm thick PCB

TECHNICAL SPECIFICATIONS:

Dimensions	9.9 mm
Height	7.5 mm
Fastening	glue, clips
Colour	black
Box size	
Box weight	6.6 kg
Quantity in Box	10000 pcs
ROHS compliant	yes ⓘ



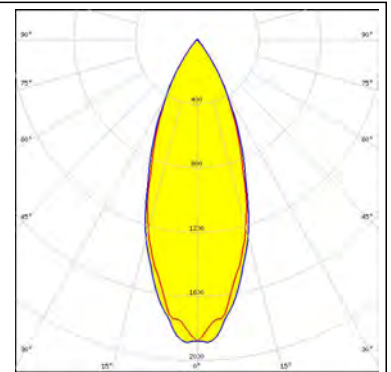
MATERIAL SPECIFICATIONS:

Component	Type	Material	Colour
LARISA-W	Single lens	PMMA	clear
LARISA-HOLDER-CLIP16	Holder	PC	black

PHOTOMETRIC DATA (SIMULATED):

CREE ⇄

LED XP-E
FWHM 39.0°
Efficiency 95 %
Peak intensity cd/lm
LEDs/each optic 1
Light colour White
Required components:



OSRAM
Opto Semiconductors

LED Oslon SSL 80
FWHM 49.0°
Efficiency 83 %
Peak intensity 1.160 cd/lm
LEDs/each optic 1
Light colour White
Required components:

