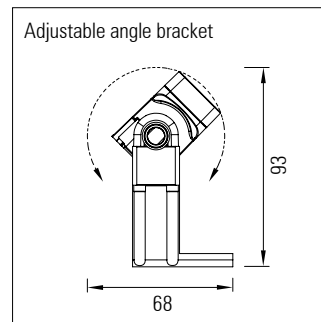
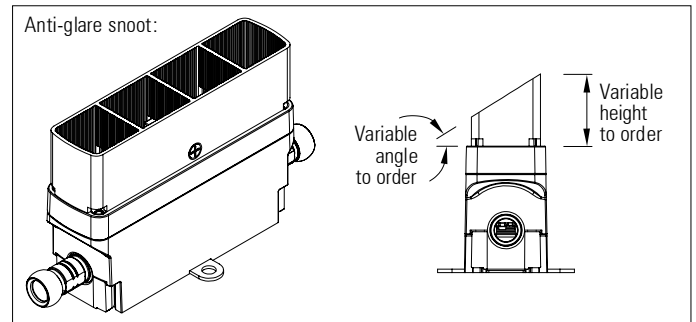
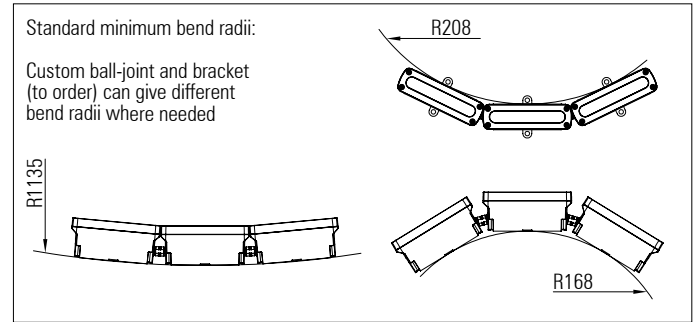
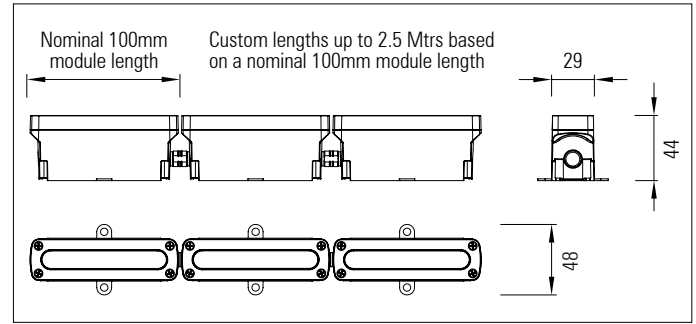


3D LED Flex system 25 IP66

2 or 4 x high power LEDs with lenses per module

Modular, 3D flexible LED linear lighting system



Up to 3,700 Lumens per Mtr

2 or 4 x high power LEDs with lenses per module

Modular, 3D flexible LED linear lighting system

Product description:

For use in exterior indirect cove lighting or direct wall washing applications where the building surfaces are non linear with curved profiles

2 or 4 x Cree XP-E, XP-G or XQ-E LEDs with Ledil Lisa or Larisa lenses per module

Up to 3.5 Watts per 100mm module

30 Volt - 48 Volt DC supply depending on application

Flexible in 3 dimensions - Articulated ball-joint system between modules

LED pitch is maintained between the modules

Side, back and end power feed and connector options allow for continuous lighting with no dark areas between fixtures. 17.5 Amp IP68 connectors join fixtures together on-site

Integral LV constant current driver

Dimming options available: 1-10V, DMX and DALI. Separate dimming channel

Various LED colour temperature and CRI options available

Satin black, satin white or any RAL paint colour finish

Custom lengths based on a 100 mm module up to 2.5 mtrs

Various mounting options and bracket types are available

Low iron UV block glass covers or UV stable polycarbonate windows

* RGB, RGBW, RGBA and Dynamic-white options do not use a colour mixing lens. For a colour mixing lens version see the data sheet for the 3D LED Flex 40 IP66 with 1 x RGBW LED array with colour-blending lens per module

Product Code	No. of LEDs per mtr.	IP	Length (mm)	LED Type	Optics (°)	Colour Temp. (K)	CRI	Cover	Bracket Type	Feed	Finish
RAD 3D LED FLEX 25 IP66 HP - 4 L	40 LEDs per Mtr: 25mm pitch	66	100mm	Cree: XP-E XP-G XQ-E	Ledil: Lisa2 Larisa	27=2,700k 30=3,000k 35=3,500k 40=4,000k 45=4,500k 50=5,000k	80 90	Clear	Adjustable Fixed Custom	End Back Side	Black White Any RAL-colour
RAD 3D LED FLEX 25 IP66 HP - 2 L	20 LEDs per Mtr: 50mm pitch		-increments of 100mm up to- 2,500mm		(See attached Ledil data sheets for details)	* RGB * RGBW * RGBA * Dynamic white					

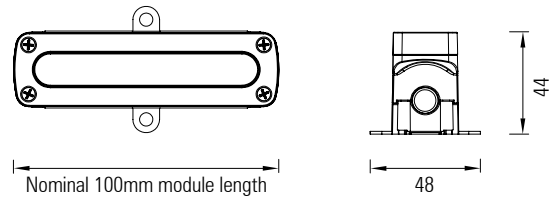
3D LED Flex system 25 IP66

2 or 4 x high power LEDs with lenses per module

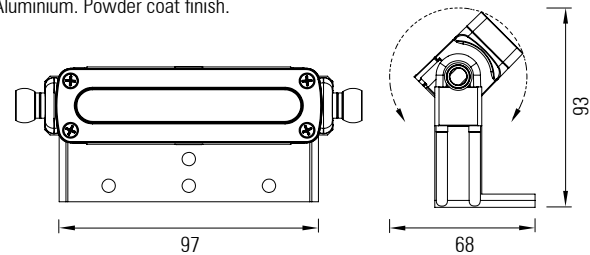
Fixed-angle and adjustable-angle mounting bracketry



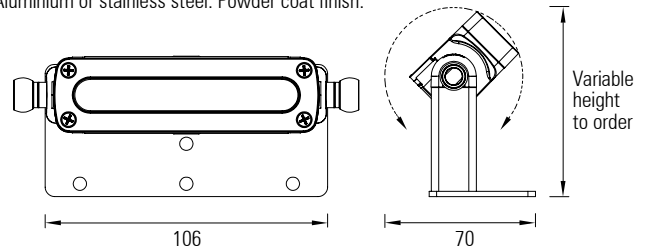
Backplate with direct fixing tabs (fixed angle bracket)
Aluminium. Powder coat finish.



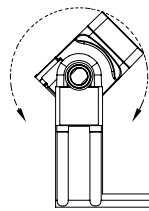
Standard IP66 adjustable angle mounting bracket
Aluminium. Powder coat finish.



Custom height IP66 adjustable angle mounting bracket
Aluminium or stainless steel. Powder coat finish.



For adjustable-angle brackets,
the angle of the modules can
be adjusted by hand on-site



Fixed-angle and adjustable-angle mounting bracketry for 3D LED Flex 25 IP66. 2 or 4 x high power LEDs with lenses per module

The 3D LED Flex 25 system is flexible in 3 dimensions, which allows it to follow curved building contours

There are a number of bracket options available

Adjustable angle brackets allow the modules to be rotated around the major axis, so that the light output can be aimed precisely

The angle of the modules can be adjusted on-site by hand. The friction ball-joint system keeps the modules correctly positioned. There is also a lockable option, which allows each module to be locked in place using an Allen key once it is correctly positioned

A standard height adjustable angle bracket and a custom height adjustable angle bracket are available

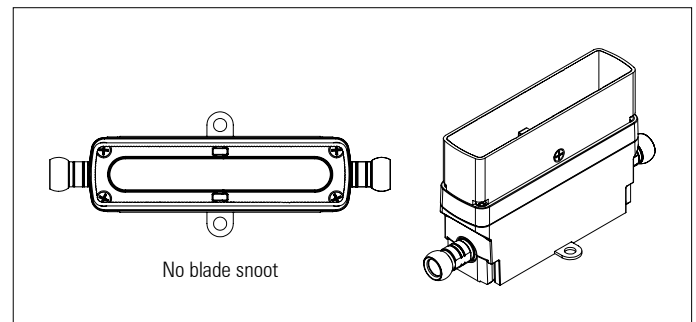
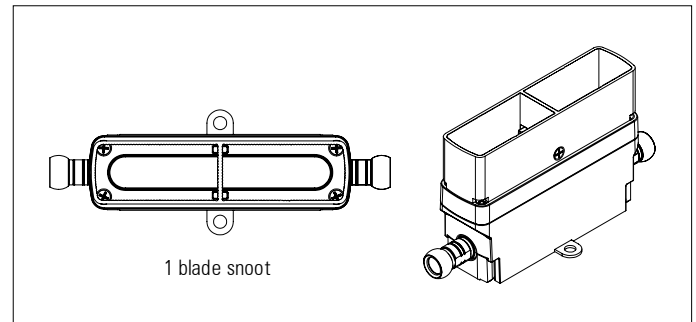
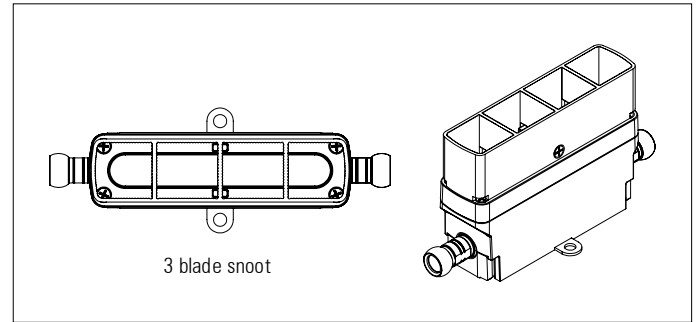
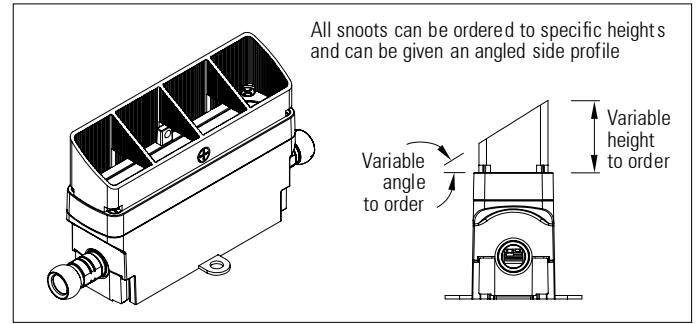
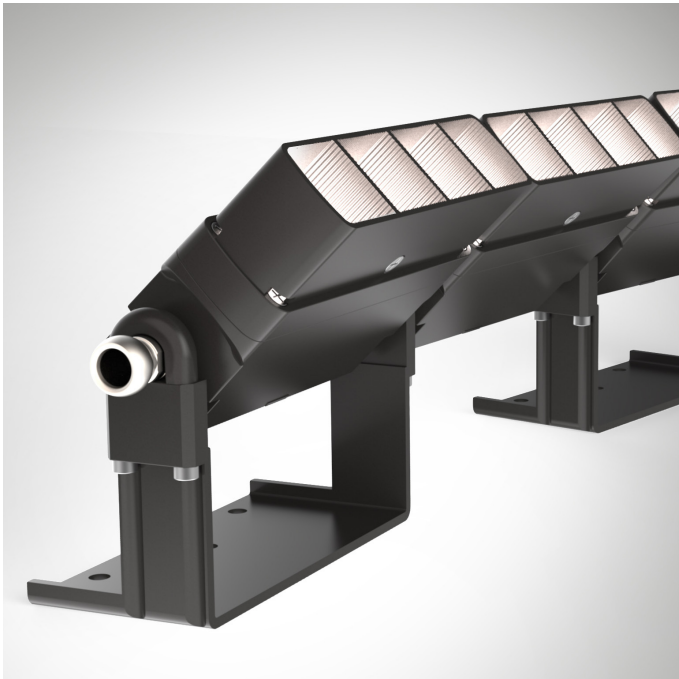
Fixed angle bracket options are also available.

Custom options are also available

The brackets are aluminium with a powder coat finish which is available in satin black, satin white or any RAL colour

The custom height adjustable angle bracket is also available in stainless steel for more demanding exterior applications. Again, this is available with a powder coat finish in satin black, satin white or any RAL colour

Product code	IP	Finish	Height of legs (mm)
RAD 3D LED FLEX 25 IP66 FIXED ANGLE BRACKET WITH DIRECT FIXING TABS AL	66	Aluminium: Black White Any RAL - colour	Custom height version only: 20mm
RAD 3D LED FLEX 25 IP66 ADJUSTABLE ANGLE BRACKET STANDARD AL		Stainless steel: Black White Any RAL - colour	-increments of 5mm up to- 300mm
RAD 3D LED FLEX 25 IP66 ADJUSTABLE ANGLE BRACKET CUSTOM HEIGHT			



3D LED FLEX 25 anti-glare accessories

For use with the 3D LED Flex 25 system IP66 to control light glare from the LEDs when the fixtures are not fully recessed

3 blade, 1 blade and no blade snoots are available

Satin black, satin white or any RAL paint colour finish

Custom height to order. Straight or any custom cut angle side-profile to order

Product Code	No. of blades	IP	Height (mm)	Cut angle of side-profile (°)	Finish
RAD 3D LED FLEX 25 SNOOT	0 1 3	66	20mm -increments of 5 mm up to- 100mm	0° -increments of 5° up to- 75°	Black White Any RAL colour

3D LED Flex 25 System

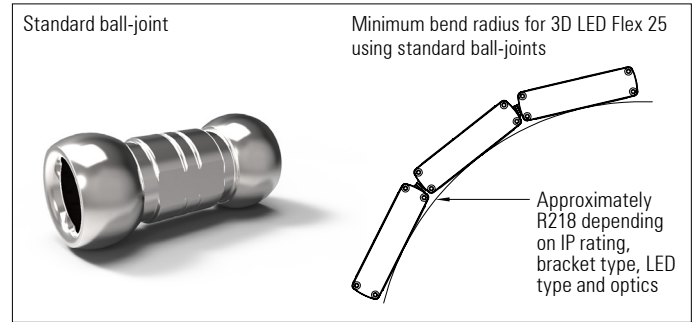
Ball-joint types

Product description:

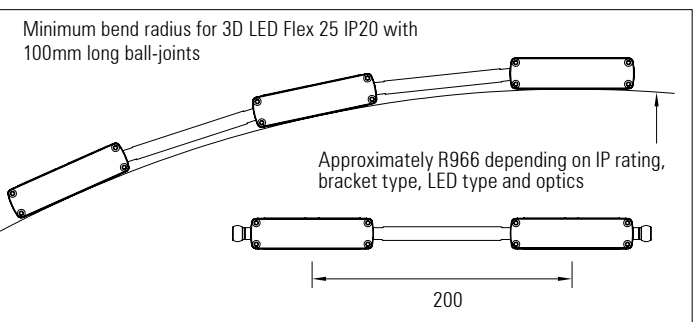
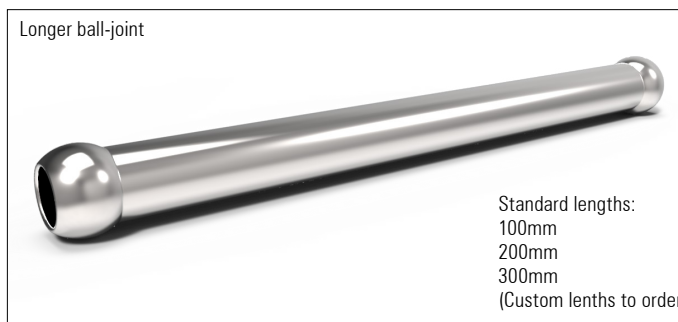
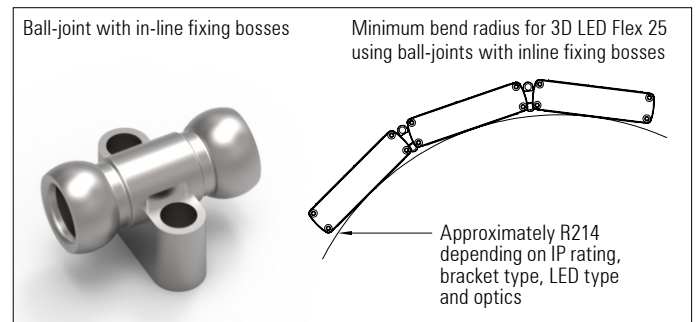
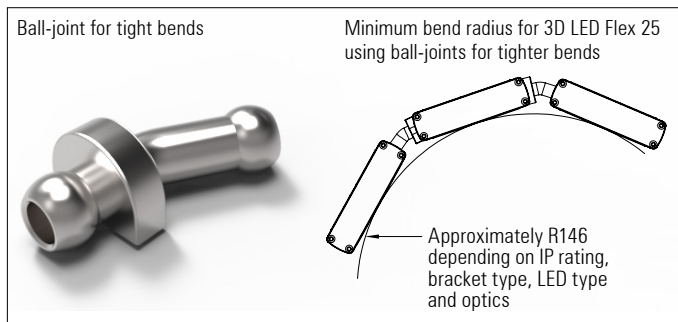
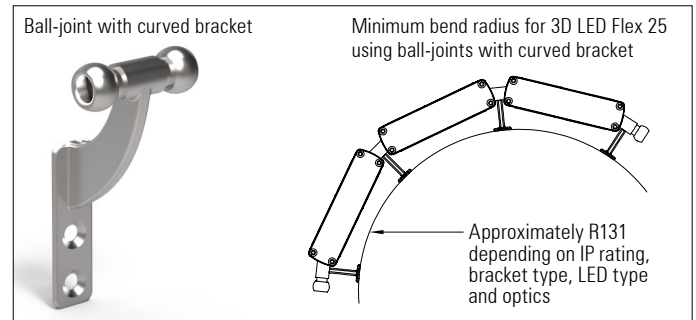
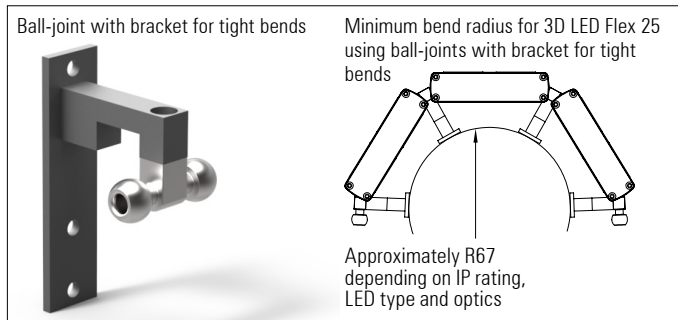
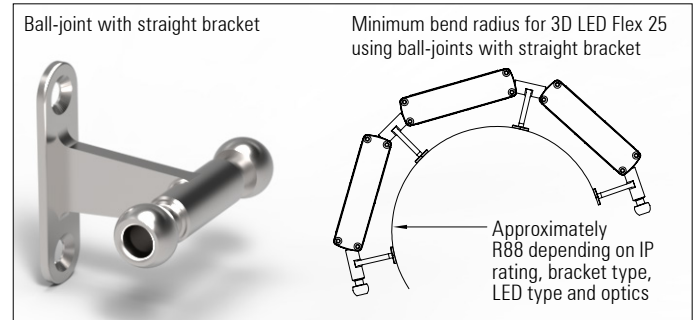
Radiant's 3D LED Flex 25 system comprises a patented articulated ball-joint system which links the heatsink modules.

The ball-joints system allows the strips to bend and twist in 3 dimensions, so that they can follow any building contours, whilst maintaining a constant LED pitch.

There are various types of ball-joint to suit different applications, some of which can be seen on this data sheet. Please contact Radiant to discuss custom solutions.



Product Code	Material	Length (mm)
STANDARD BALL-JOINT	Nickel-plated brass	(For longer ball-joint only)
BALL-JOINT STRAIGHT BRACKET		
BALL-JOINT BRACKET TIGHT BENDS		
BALL-JOINT CURVED BRACKET		
BALL-JOINT TIGHT BENDS		
BALL-JOINT LONG	Stainless steel	100mm
BALL-JOINT IN LINE FIXING		200mm
		300mm
		Custom lengths



LARISA-RS-CLIP16

~19° real spot beam. Clip fastening for 1.6 mm thick PCB

TECHNICAL SPECIFICATIONS:

Dimensions	9.9 mm
Height	7.5 mm
Fastening	clips
Colour	black
Box size	
Box weight	5.8 kg
Quantity in Box	10000 pcs
ROHS compliant	yes ⓘ



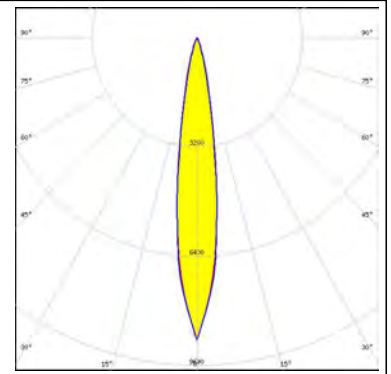
MATERIAL SPECIFICATIONS:

Component	Type	Material	Colour
LARISA-RS	Single lens	PMMA	clear
LARISA-HOLDER-CLIP16	Holder	PC	black

PHOTOMETRIC DATA (SIMULATED):

CREE 

LED XP-E
FWHM 15.0°
Efficiency 92 %
Peak intensity cd/lm
LEDs/each optic 1
Light colour White
Required components:



LARISA-M-CLIP16

~30° medium beam. Clip fastening for 1.6 mm thick PCB.

TECHNICAL SPECIFICATIONS:

Dimensions	9.9 mm
Height	7.5 mm
Fastening	clips
Colour	black
Box size	
Box weight	6.6 kg
Quantity in Box	10000 pcs
ROHS compliant	yes ⓘ



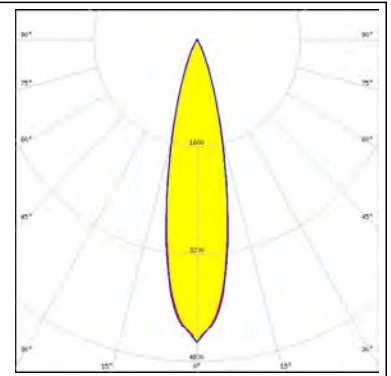
MATERIAL SPECIFICATIONS:

Component	Type	Material	Colour
LARISA-M	Single lens	PMMA	clear
LARISA-HOLDER-CLIP16	Holder	PC	black

PHOTOMETRIC DATA (SIMULATED):

CREE 

LED XP-E
FWHM 23.0°
Efficiency 94 %
Peak intensity cd/lm
LEDs/each optic 1
Light colour White
Required components:



LARISA-O-CLIP16

~40° x 20° oval beam. Clip fastening for 1.6 mm thick PCB.

TECHNICAL SPECIFICATIONS:

Dimensions	9.9 mm
Height	7.5 mm
Fastening	clips
Colour	black
Box size	300 x 260 x 260 mm
Box weight	6.6 kg
Quantity in Box	10000 pcs
ROHS compliant	yes ⓘ



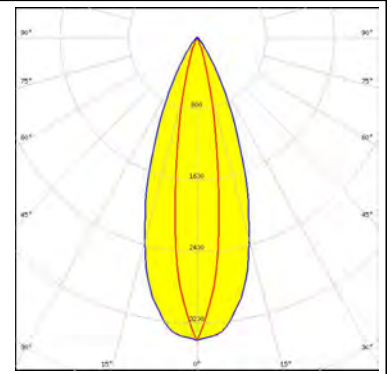
MATERIAL SPECIFICATIONS:

Component	Type	Material	Colour
LARISA-O	Single lens	PMMA	clear
LARISA-HOLDER-CLIP16	Holder	PC	black

PHOTOMETRIC DATA (SIMULATED):

CREE 

LED XP-E
FWHM 39.0 + 17.0°
Efficiency 89 %
Peak intensity cd/lm
LEDs/each optic 1
Light colour White
Required components:



LARISA-W-CLIP16

~50° wide beam. Clip fastening for 1.6 mm thick PCB

TECHNICAL SPECIFICATIONS:

Dimensions	9.9 mm
Height	7.5 mm
Fastening	glue, clips
Colour	black
Box size	
Box weight	6.6 kg
Quantity in Box	10000 pcs
ROHS compliant	yes ⓘ



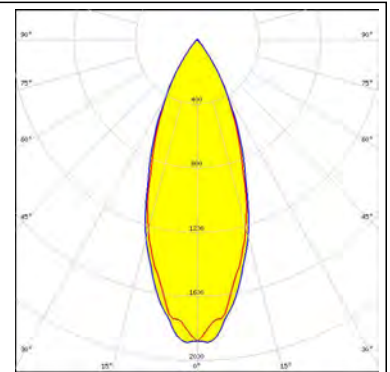
MATERIAL SPECIFICATIONS:

Component	Type	Material	Colour
LARISA-W	Single lens	PMMA	clear
LARISA-HOLDER-CLIP16	Holder	PC	black

PHOTOMETRIC DATA (SIMULATED):

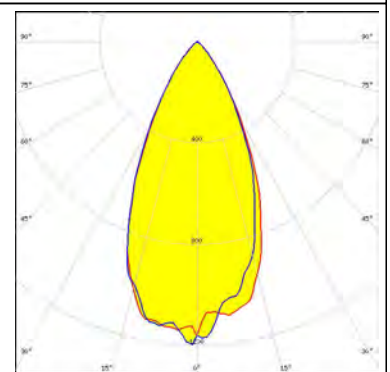
CREE 

LED XP-E
FWHM 39.0°
Efficiency 95 %
Peak intensity cd/lm
LEDs/each optic 1
Light colour White
Required components:



OSRAM
Opto Semiconductors

LED Oslon SSL 80
FWHM 49.0°
Efficiency 83 %
Peak intensity 1.160 cd/lm
LEDs/each optic 1
Light colour White
Required components:



LISA2-O-PIN

~45° x 20° oval beam. 6.8 mm high variant with location pin installation.

TECHNICAL SPECIFICATIONS:

Dimensions	Ø 9.9 mm
Height	6.8 mm
Fastening	glue, pin
Colour	black
Box size	
Box weight	1.4 kg
Quantity in Box	2000 pcs
ROHS compliant	yes ⓘ



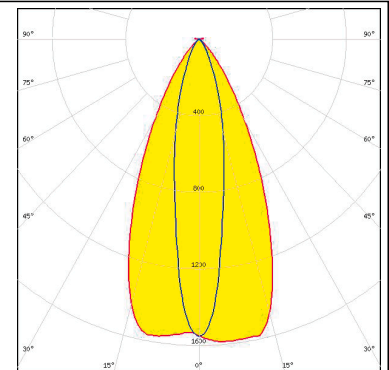
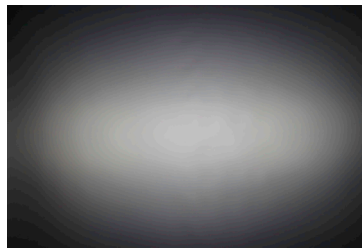
MATERIAL SPECIFICATIONS:

Component	Type	Material	Colour
LISA2-O-XP	Single lens	PMMA	clear
LISA2-HLD-PIN	Holder	PC	black

PHOTOMETRIC DATA (MEASURED):

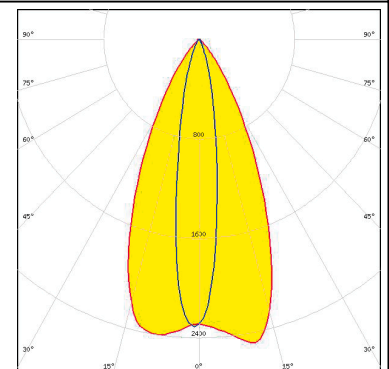
CREE ⇄

LED XD16
 FWHM 50.0 + 20.0°
 Efficiency 66 %
 Peak intensity 1.600 cd/lm
 LEDs/each optic 1
 Light colour White
 Required components:



CREE ⇄

LED XP-E
 FWHM 18.0 + 48.0°
 Efficiency 83 %
 Peak intensity 2.300 cd/lm
 LEDs/each optic 1
 Light colour White
 Required components:

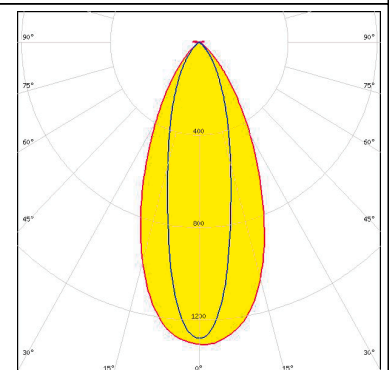
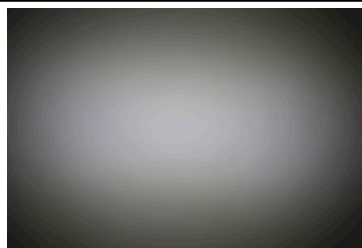


CREE ⇄

LED XP-G
 FWHM 46.0 + 24.0°
 Efficiency 86 %
 Peak intensity cd/lm
 LEDs/each optic 1
 Light colour White
 Required components:

CREE ⇄

LED XP-G3
 FWHM 47.0 + 26.0°
 Efficiency 69 %
 Peak intensity 1.300 cd/lm
 LEDs/each optic 1
 Light colour White
 Required components:



LISA2-O-90-PIN

~20° x 50° oval beam. Variant with beam direction rotated 90°. 6.8 mm high variant with location pin installation.

TECHNICAL SPECIFICATIONS:

Dimensions	Ø 9.9 mm
Height	6.8 mm
Fastening	glue, pin
Colour	black
Box size	
Box weight	1.4 kg
Quantity in Box	2000 pcs
ROHS compliant	yes ⓘ



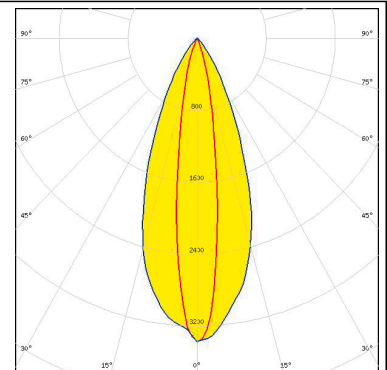
MATERIAL SPECIFICATIONS:

Component	Type	Material	Colour
LISA2-O-XP	Single lens	PMMA	clear
LISA2-HLD-PIN	Holder	PC	black

PHOTOMETRIC DATA (MEASURED):

CREE

LED XP-E
FWHM 48.0 + 18.0°
Efficiency 83 %
Peak intensity cd/lm
LEDs/each optic 1
Light colour White
Required components:

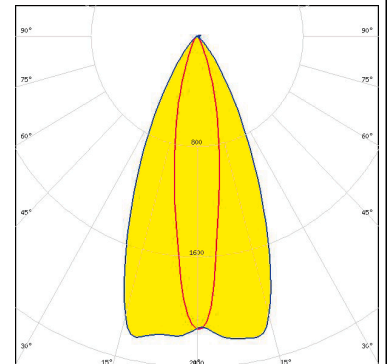
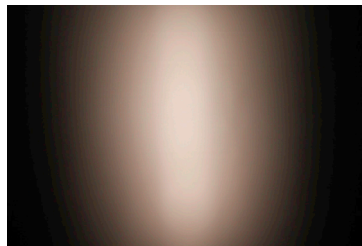


CREE

LED XP-G
FWHM 48.0 + 18.0°
Efficiency 86 %
Peak intensity cd/lm
LEDs/each optic 1
Light colour White
Required components:

LUMILEDS

LED LUXEON Z ES
FWHM 18.0 + 49.0°
Efficiency 80 %
Peak intensity 2.200 cd/lm
LEDs/each optic 1
Light colour White
Required components:



LISA2-M-PIN

~20° medium beam. 6.8 mm high variant with location pin installation.

TECHNICAL SPECIFICATIONS:

Dimensions	Ø 9.9 mm
Height	6.8 mm
Fastening	glue, pin
Colour	black
Box size	310 x 230 x 60 mm
Box weight	1.4 kg
Quantity in Box	2000 pcs
ROHS compliant	yes ⓘ



MATERIAL SPECIFICATIONS:

Component	Type	Material	Colour
LISA2-M	Single lens	PMMA	clear
LISA2-HLD-PIN	Holder	PC	black

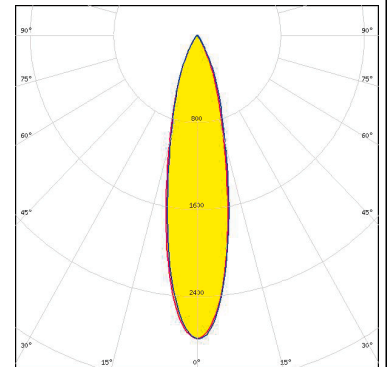
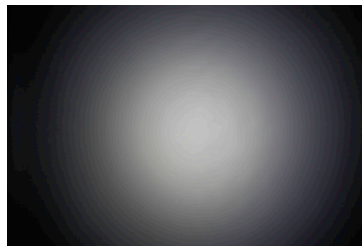
PHOTOMETRIC DATA (MEASURED):

CREE ⇄

LED XB-D
FWHM 26.0°
Efficiency 87 %
Peak intensity 2.740 cd/lm
LEDs/each optic 1
Light colour White
Required components:

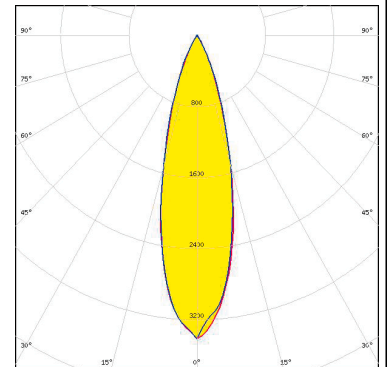
CREE ⇄

LED XD16
FWHM 24.0°
Efficiency 74 %
Peak intensity 2.800 cd/lm
LEDs/each optic 1
Light colour White
Required components:



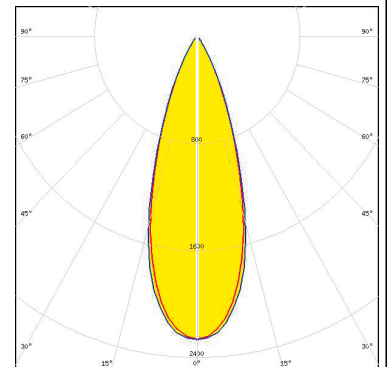
CREE ⇄

LED XP-E
FWHM 24.0°
Efficiency 92 %
Peak intensity 0.000 cd/lm
LEDs/each optic 1
Light colour White
Required components:



CREE ⇄

LED XP-G
FWHM 34.0°
Efficiency 91 %
Peak intensity 2.200 cd/lm
LEDs/each optic 1
Light colour White
Required components:



LISA2-W-PIN

~35° wide beam. 6.8 mm high variant with location pin installation.

TECHNICAL SPECIFICATIONS:

Dimensions	Ø 9.9 mm
Height	6.8 mm
Fastening	glue, pin
Colour	black
Box size	
Box weight	1.4 kg
Quantity in Box	2000 pcs
ROHS compliant	yes ⓘ



MATERIAL SPECIFICATIONS:

Component	Type	Material	Colour
LISA2-W	Single lens	PMMA	clear
LISA2-HLD-PIN	Holder	PC	black

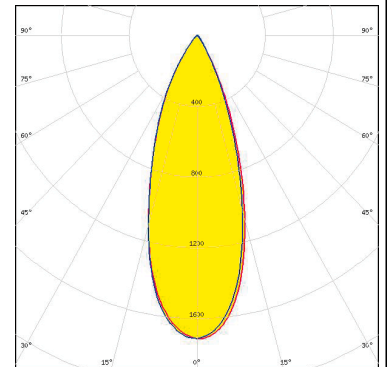
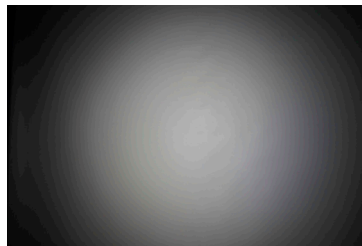
PHOTOMETRIC DATA (MEASURED):

CREE ⇄

LED XB-D
FWHM 32.0°
Efficiency 86 %
Peak intensity 1.930 cd/lm
LEDs/each optic 1
Light colour White
Required components:

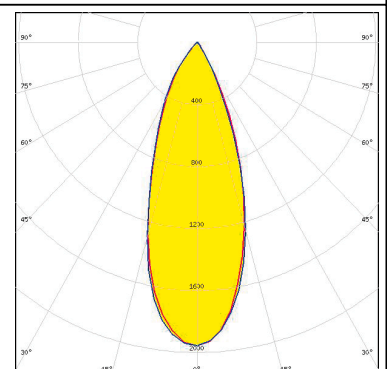
CREE ⇄

LED XD16
FWHM 37.0°
Efficiency 77 %
Peak intensity 1.700 cd/lm
LEDs/each optic 1
Light colour White
Required components:



CREE ⇄

LED XP-E
FWHM 37.0°
Efficiency 90 %
Peak intensity 1.960 cd/lm
LEDs/each optic 1
Light colour White
Required components:



CREE ⇄

LED XP-G
FWHM 48.0°
Efficiency 92 %
Peak intensity cd/lm
LEDs/each optic 1
Light colour White
Required components:

LISA2-WW-PIN

~45° wide beam. 7.0 mm high variant with location pin installation.

TECHNICAL SPECIFICATIONS:

Dimensions	Ø 9.9 mm
Height	7 mm
Fastening	glue, pin
Colour	black
Box size	310 x 230 x 60 mm
Box weight	1.4 kg
Quantity in Box	2000 pcs
ROHS compliant	yes ⓘ



MATERIAL SPECIFICATIONS:

Component	Type	Material	Colour
LISA2-WW	Single lens	PMMA	clear
LISA2-HLD-PIN	Holder	PC	black

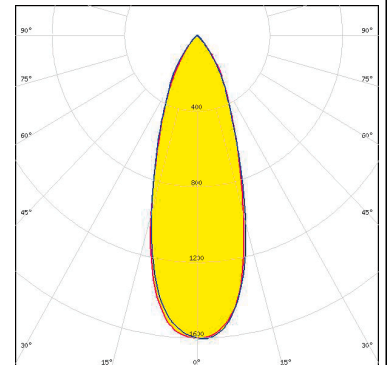
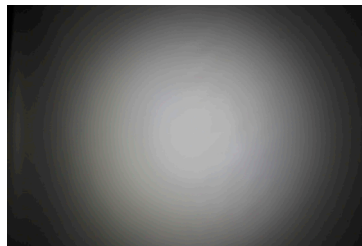
PHOTOMETRIC DATA (MEASURED):

CREE ⇄

LED XB-D
FWHM 38.0°
Efficiency 85 %
Peak intensity 1.330 cd/lm
LEDs/each optic 1
Light colour White
Required components:

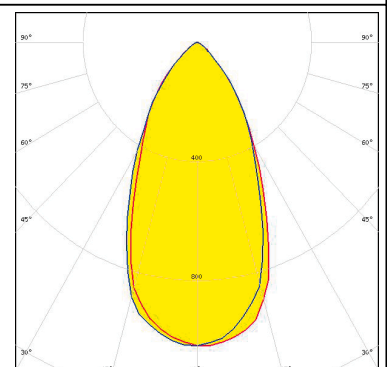
CREE ⇄

LED XD16
FWHM 35.0°
Efficiency 78 %
Peak intensity 1.600 cd/lm
LEDs/each optic 1
Light colour White
Required components:



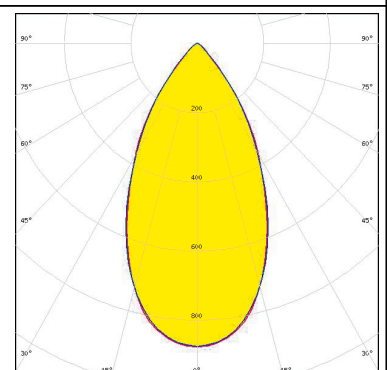
CREE ⇄

LED XP-E
FWHM 42.0°
Efficiency 91 %
Peak intensity 1.000 cd/lm
LEDs/each optic 1
Light colour White
Required components:



CREE ⇄

LED XP-G
FWHM 54.0°
Efficiency 90 %
Peak intensity 0.900 cd/lm
LEDs/each optic 1
Light colour White
Required components:



LISA2-WWW-PIN

~80° wide beam. 7.0 mm high variant with location pin installation.

TECHNICAL SPECIFICATIONS:

Dimensions	Ø 9.9 mm
Height	7 mm
Fastening	glue, pin
Colour	black
Box size	
Box weight	1.4 kg
Quantity in Box	2000 pcs
ROHS compliant	yes ⓘ



MATERIAL SPECIFICATIONS:

Component	Type	Material	Colour
LISA2-WWW	Single lens	PMMA	clear
LISA2-HLD-PIN	Holder	PC	black

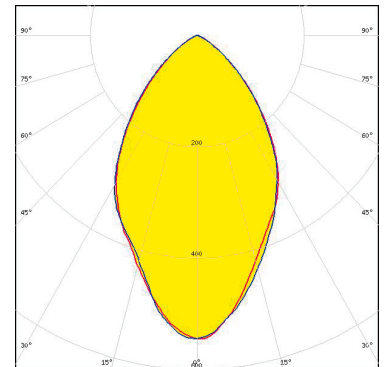
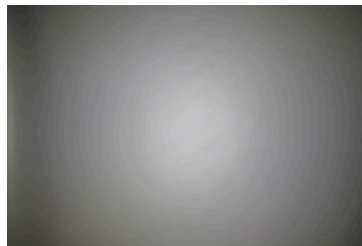
PHOTOMETRIC DATA (MEASURED):

CREE ⇄

LED XB-D
FWHM 73.0°
Efficiency 71 %
Peak intensity cd/lm
LEDs/each optic 1
Light colour White
Required components:

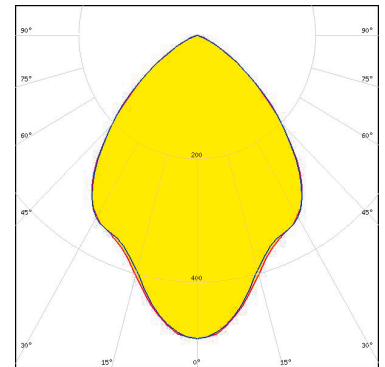
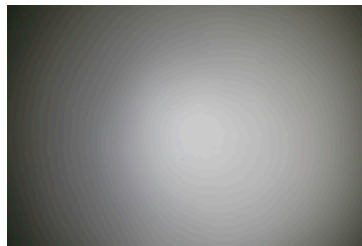
CREE ⇄

LED XD16
FWHM 66.0°
Efficiency 66 %
Peak intensity 0.550 cd/lm
LEDs/each optic 1
Light colour White
Required components:



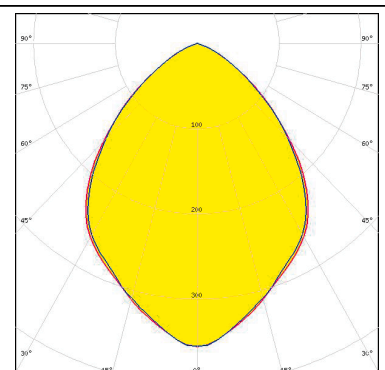
CREE ⇄

LED XP-E
FWHM 84.0°
Efficiency 77 %
Peak intensity 0.500 cd/lm
LEDs/each optic 1
Light colour White
Required components:



CREE ⇄

LED XP-G
FWHM 86.0°
Efficiency 75 %
Peak intensity 0.400 cd/lm
LEDs/each optic 1
Light colour White
Required components:



LISA2-RS-PIN

~19° spot beam. 6.8 mm high variant with location pin installation.

TECHNICAL SPECIFICATIONS:

Dimensions	Ø 9.9 mm
Height	6.8 mm
Fastening	glue, pin
Colour	black
Box size	310 x 230 x 60 mm
Box weight	1.4 kg
Quantity in Box	2000 pcs
ROHS compliant	yes ⓘ



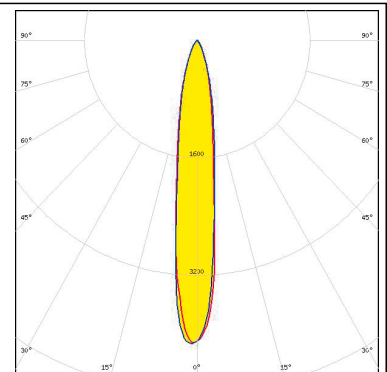
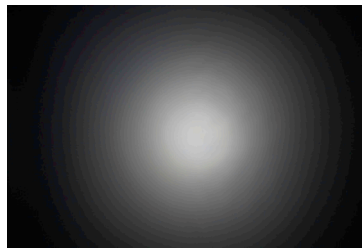
MATERIAL SPECIFICATIONS:

Component	Type	Material	Colour
LISA2-RS	Single lens	PMMA	clear
LISA2-HLD-PIN	Holder	PC	black

PHOTOMETRIC DATA (MEASURED):

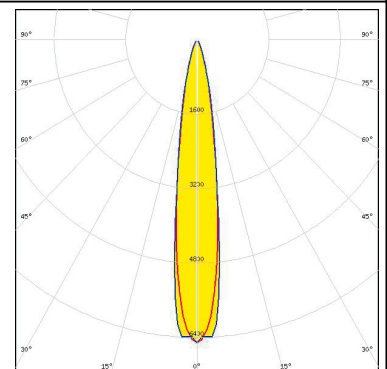
CREE

LED XD16
 FWHM 15.0°
 Efficiency 70 %
 Peak intensity 4.200 cd/lm
 LEDs/each optic 1
 Light colour White
 Required components:



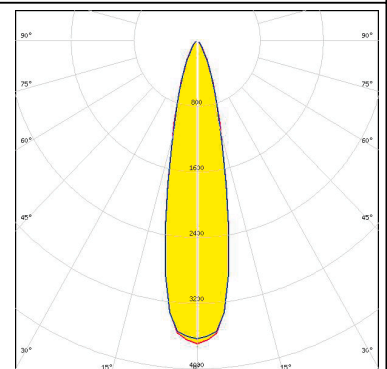
CREE

LED XP-E
 FWHM 16.0°
 Efficiency 90 %
 Peak intensity 6.500 cd/lm
 LEDs/each optic 1
 Light colour White
 Required components:



CREE

LED XP-G
 FWHM 24.0°
 Efficiency 90 %
 Peak intensity cd/lm
 LEDs/each optic 1
 Light colour White
 Required components:



CREE

LED XQ-E HI
 FWHM 11.0°
 Efficiency 86 %
 Peak intensity 11.500 cd/lm
 LEDs/each optic 1
 Light colour White
 Required components:

