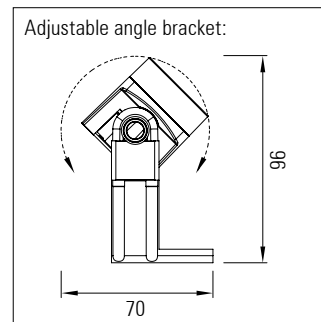
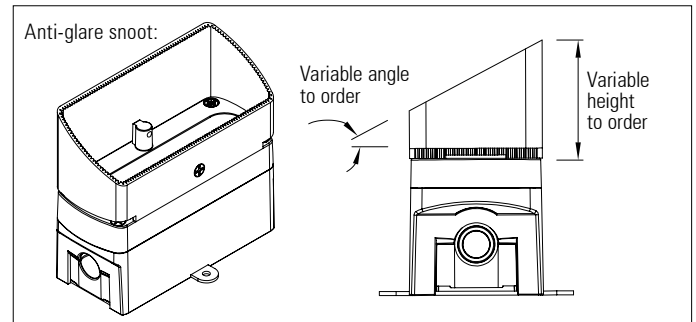
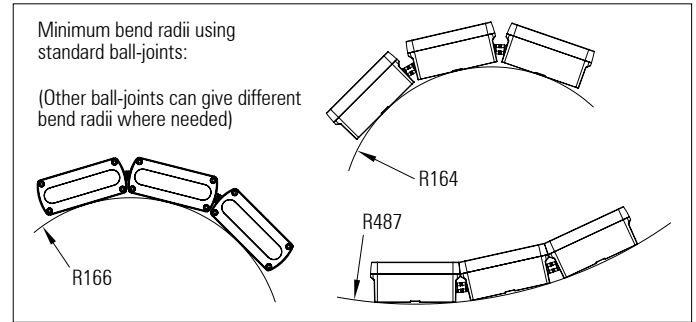
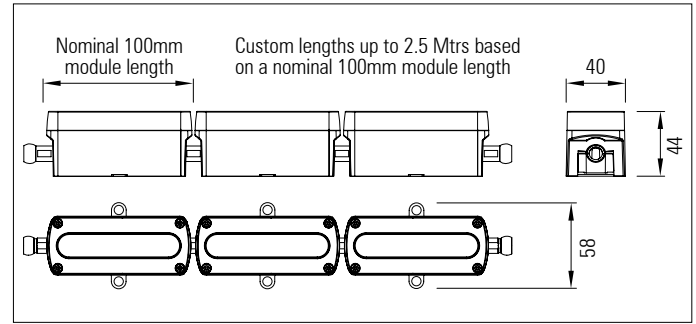


3D LED Flex 40 IP66

8 or 12 x 0.3 Watt medium power LEDs with white reflector per module
Modular, 3D flexible LED linear lighting system



Up to 5,000 Lumens per Mtr

8 or 12 x 0.3 Watt medium power LEDs with white reflector per module

Modular, 3D flexible LED linear lighting system

Product description:

For use in exterior indirect cove lighting applications where the building surfaces are non linear with curved profiles

Each module - 8 or 12 x 0.3 Watt Osram, Samsung or Luminus LEDs, without lenses

Up to 4.5 Watts per 100mm module. 30 Volt DC supply

High efficiency white reflector

Flexible in 3 dimensions - Articulated ball-joint system between modules

LED pitch is maintained between the modules

Side, back and end power feed and connector options allow for continuous lighting with no dark areas between fixtures. 17.5 Amp IP68 connectors join fixtures together on-site

Integral LV constant current driver

Dimming options available: 1-10V, DMX and DALI. Separate dimming channel

Various LED colour temperature and CRI options available

Satin black, satin white or any RAL paint colour finish

Custom lengths based on a 100 mm module up to 2.5 mtrs

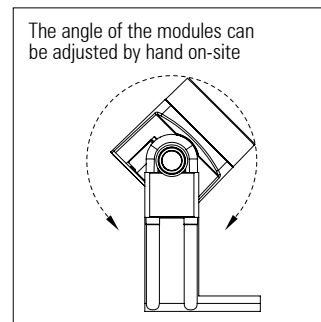
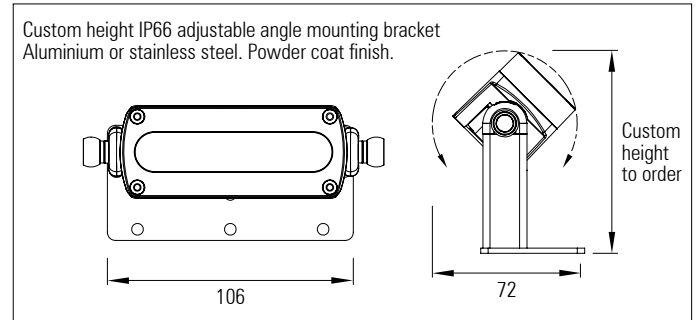
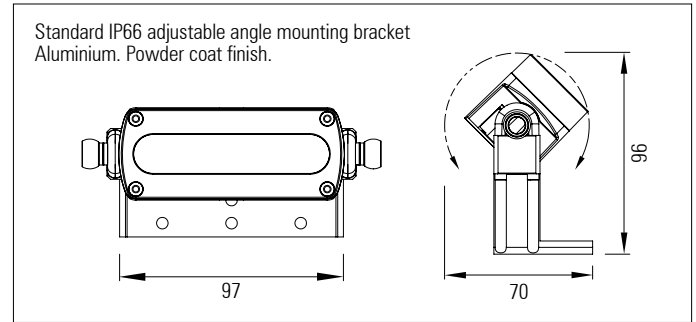
Various mounting options and bracket types are available

Product Code	No. of LEDs per mtr.	IP	Length (mm)	LED Type	Optics (°)	Colour Temp. (K)	CRI	Cover	Bracket Type	Feed	Finish
RAD 3D LED FLEX 40 IP66 0.3W - 8	80 LEDs per Mtr: 25mm pitch	66	100mm	0.3W LEDs:	110°	27=2,700k 30=3,000k 35=3,500k 40=4,000k 45=4,500k 50=5,000k Dynamic white	80 90	Clear Frosted	Adjustable Fixed Custom	End Back Side	Black White Any RAL-colour
RAD 3D LED FLEX 40 IP66 0.3W - 12	120 LEDs per Mtr: 25mm pitch		-increments of 100mm up to- 2,500mm	Osram Samsung Luminus							

3D LED Flex 40 IP66

8 or 12 x 0.3 Watt medium power LEDs with white reflector per module

Adjustable angle mounting bracketry



Adjustable angle mounting bracketry for 3D LED Flex 40 IP66

The 3D LED Flex 40 system is flexible in 3 dimensions, which allows it to follow curved building contours. Once they have been fixed to the building surface, adjustable angle brackets allow the modules to be rotated around the major axis, so that the light output can be aimed precisely.

The angle of the modules can be adjusted by hand easily on-site. The friction ball-joint system keeps the modules correctly positioned. There is also a lockable option, which allows each module to be locked in place using an Allen key once it is correctly positioned.

A standard height version and a custom height version are available. Custom options are also available.

The standard height bracket is made from aluminium and the custom-height bracket can be made from either aluminium or stainless steel for more demanding exterior applications.

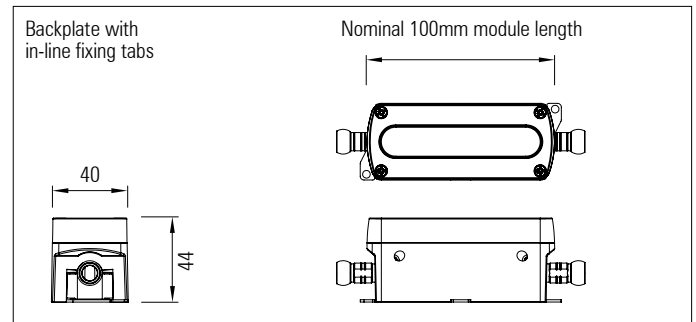
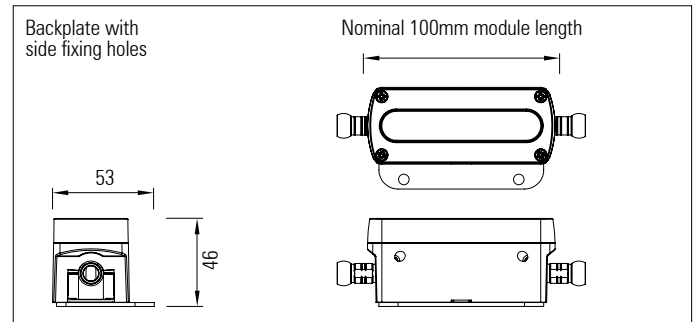
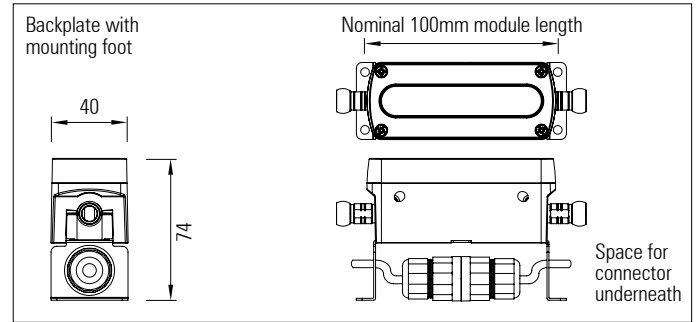
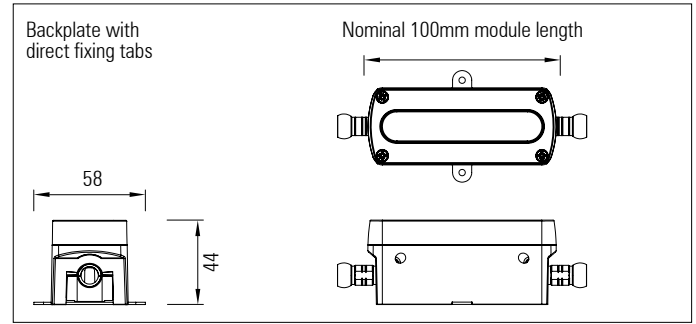
Both options have a powder coat finish which is available in satin black, satin white or any RAL paint colour finish.

Product code	IP	Finish	Height of legs (mm)
RAD 3D LED FLEX 40 IP66 ADJUSTABLE ANGLE BRACKET STANDARD AL	66	Aluminium: Black White Any RAL colour	Custom height version only: 20mm
RAD 3D LED FLEX 40 IP66 ADJUSTABLE ANGLE BRACKET CUSTOM HEIGHT SS		Stainless Steel: Black White Any RAL colour	-increments of 5mm up to- 300mm

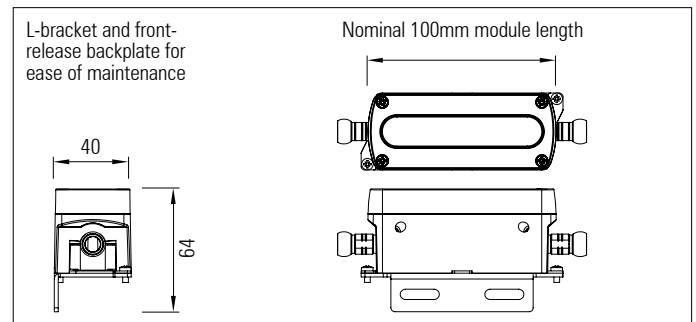
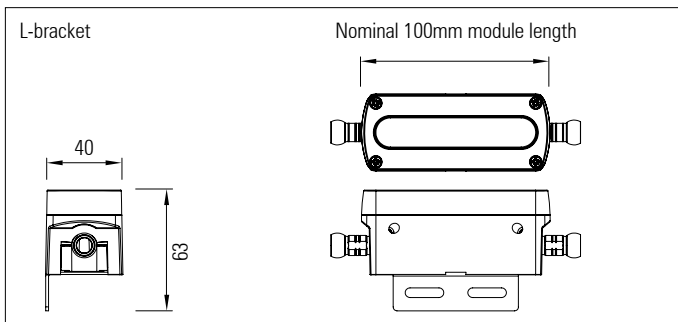
3D LED Flex 40 IP66

8 or 12 x 0.3 Watt medium power LEDs with white reflector per module

Fixed angle mounting bracketry

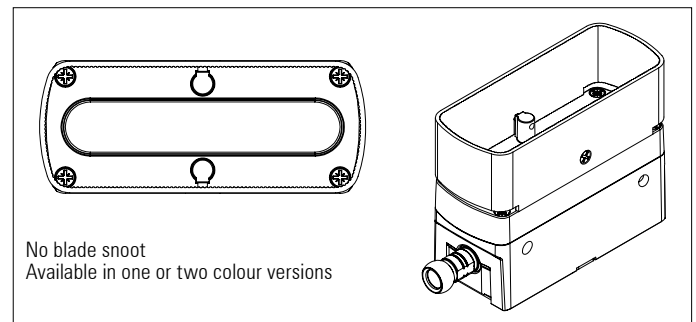
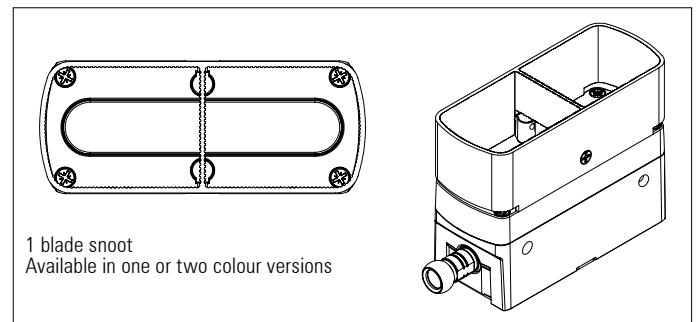
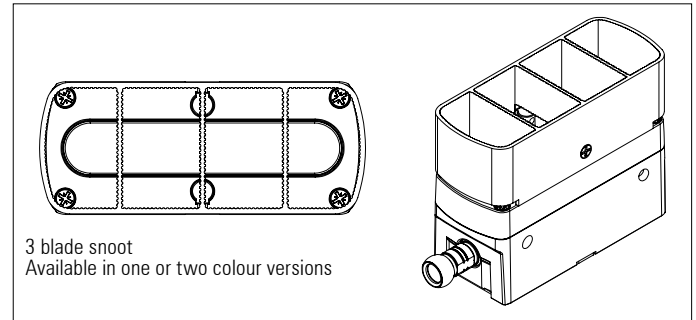
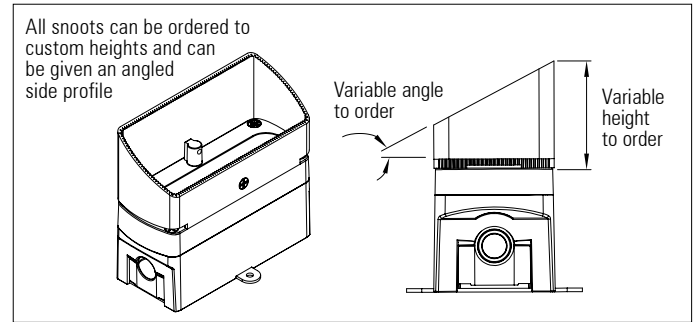


Product code	IP	Finish
RAD 3D LED FLEX 40 IP66 FIXED ANGLE BRACKET DIRECT FIXING TABS	66	Black White Any RAL colour
RAD 3D LED FLEX 40 IP66 FIXED ANGLE BRACKET WITH MOUNTING FOOT		
RAD 3D LED FLEX 40 IP66 FIXED ANGLE BRACKET SIDE FIXING		
RAD 3D LED FLEX 40 IP66 FIXED ANGLE BRACKET IN-LINE FIXING		
RAD 3D LED FLEX 40 IP66 FIXED ANGLE L-BRACKET FRONT RELEASE		
RAD 3D LED FLEX 40 IP66 FIXED ANGLE L-BRACKET		



3D LED Flex 40 IP66

Anti-glare accessories



3D LED FLEX 40 anti-glare accessories

For use with the 3D LED Flex 40 system IP66 to control light glare from the LEDs when the fixtures are not fully recessed

3 blade, 1 blade and no blade snoots are available

Satin black, satin white or any RAL paint colour finish. Two colour versions are also available - eg. white finish on exterior & black finish on interior of snoot. Both interior and exterior parts can be any RAL colour paint finish, or any anodised finish

Custom height to order

Straight or any custom cut angle side-profile to order

Product Code	No. of blades	IP	Height (mm)	Cut angle of side-profile (°)	Finish
RAD 3D LED FLEX 40 SNOOT	0 1 3	66	20mm -increments of 5 mm up to- 100mm	0° -increments of 5° up to- 75°	Black White Any RAL colour Two colour - both parts can be any anodised or any RAL colour

3D LED Flex 40 System

Ball-joint types

Product description:

Radiant's 3D LED Flex 40 system comprises a patented articulated ball-joint system which links the heatsink modules.

The ball-joints system allows the strips to bend and twist in 3 dimensions, so that they can follow any building contours, whilst maintaining a constant LED pitch.

There are various types of ball-joint to suit different applications, some of which can be seen on this data sheet. Please contact Radiant to discuss custom solutions.

Product Code	Material	Length (mm)
STANDARD BALL-JOINT BALL-JOINT STRAIGHT BRACKET BALL-JOINT BRACKET TIGHT BENDS BALL-JOINT CURVED BRACKET BALL-JOINT TIGHT BENDS BALL-JOINT LONG BALL-JOINT IN LINE FIXING	Nickel-plated brass	(For longer ball-joint only)
	Stainless steel	100mm 200mm 300mm Custom lengths

