

Arpool S

Specification Sheet



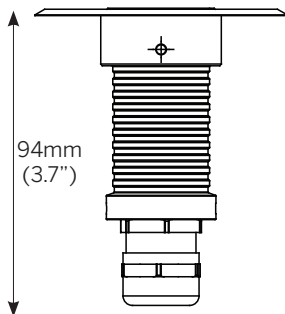
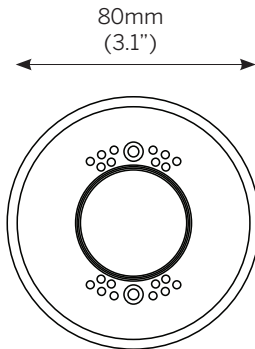
Ordering Information						
Model	Application	Power	Color Temp.	Optics	Voltage	Options
AS	TM	L	30 40	SP FL W	12 24	C C6 C9
		H	30 40 RGBW			



Application

- Fountains and water features
- Small medium pools
- Wall and stair installation
- Installation depth up to 5m (16')
- Max tile thickness 25mm (1")
- Chlorine and saline environment
- Recommended installation depth 0.3m-0.6m (1'-2')
- DMX, DALI, 0-10V compatible
- Outside water operation allowed in L power

Trim (TM)



Luminaire

- High performance optics
- Thermal fold back technology
- UL STD 676, submersible, IP68
- Remote power supply
- Stainless steel construction 316L marine grade
- Tempered glass, crystal clear
- Lifetime TM-21 @85C L80(12K)=72600h
- Working temperature from -25°C (-13°F) to 50°C (122°F)
- Supplied with oil and water resistant 3m (10') feed cable standard, single color 2x0.82(18AWG)mm, RGBW 5x0.82(18AWG)mm
- Cable conduit 1.5m (5')
- IK10

Dimensions

- TM = 80mm x 94mm (3.14"ø x 3.7")

Power - delivered lumen output

- L - 3W 3000/4000K, 250 lm
- H - 6W 3000/4000K, 360lm
- H - 6W RGBW (W - 4000K)

Color Temperature

- 30 - 3000K
- 40 - 4000K
- RGBW (W - 4000K)
- 3 Step MacAdam
- CRI: > 85

Optics

- SP - Spot - 15°
- FL - Flood - 40°
- W - Wide - 70°

Voltage

- 12 - 12VDC fixture voltage
- 24 - 24VDC fixture voltage

Options

- C - standard feed cable 3m (10')
- C6 - luminaire supplied with 6m (20') feed cable
- C9 - luminaire supplied with 9m (30') feed cable

Installation housing order codes

- AS402 - **back feed**
- AS402S - **side feed**
- AS402SP - **stainless steel pool**
- AS402LN - **liner pool**

Power Supply

Power supply On/Off - 12V

- 101052 - OT30 12V P
- 101053 - OT60 12V P
- 100879 - OT120 12V P

Power supply with integrated controls - 12V

- 102345 - ELDOLED Linear Drive 100S (DXM,DALI+PS)

Controls - 12V

- 102788 - OT DMX RGBW DIM 12/24V - 89W
- 101047 - OTI DALI DIM 60W 1CH
- 101046 - OT DIM 60W (1-10V)

Power supply On/Off - 24V

- 103233 - OT60 24V P
- 103196 - OT130 24V P
- 103234 - OT250 24V P

Power supply with integrated controls - 24V

- 102345 - ELDOLED Linear Drive 100S (DXM,DALI+PS)

Controls - 24V

- 102788 - OT DMX RGBW DIM 12/24V - 183W
- 101047 - OTI DALI DIM 120W 1CH
- 101046 - OT DIM 60W (1-10V)

International: +385 52 255 324 filixlighting.com

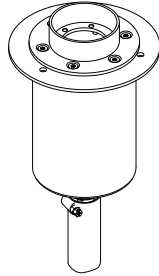
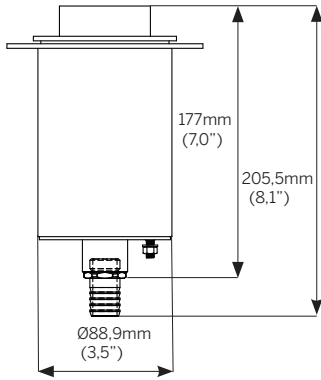
Europe/GmbH: info@filixlighting.com

Europe MENA: info@filixlighting.com

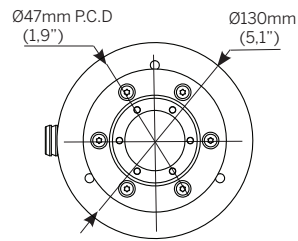
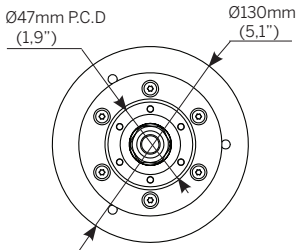
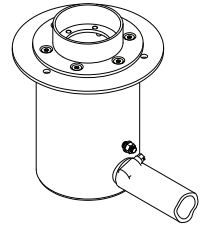
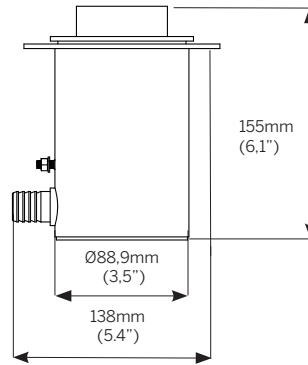
North America: filixlighting.com info@filixlighting.com

Click [here](#) for voltage drop and distances.

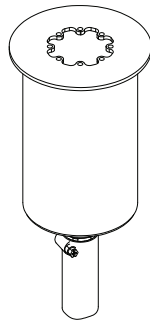
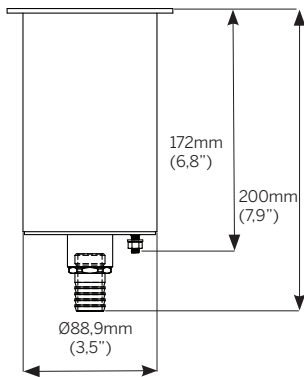
Installation housing - AS402 *fits 1m (3') cable
Concrete pool installation Trim (TM)



Installation housing - AS402S *fits 1m (3') cable
Side feed installation Trim (TM)



Installation housing - AS402SP *fits 1m (3') cable
Stainless steel pool installation Trim (TM)



Installation housing - AS402LN *fits 1m (3') cable
Liner pool installation Trim (TM)

