

Pelée Wall

Design: Cubo Architects



PELÉE WALL is part of the Pelée family consisting of a wide variety of indoor luminaires. With Pelée Wall we move outdoor, and the fitting being IP66, it can be used both indoor and out.

The inner conical steps, characteristic for all Pelée luminaires, contribute to a comfortable, non-glaring spread of light. In this case they are cast in the screen, and the resulting glowing edge enhances comfort and offers optical guidance.

Size:

Length: 320 mm
Depth: 120 mm
Height: 99 mm

Powder coating:

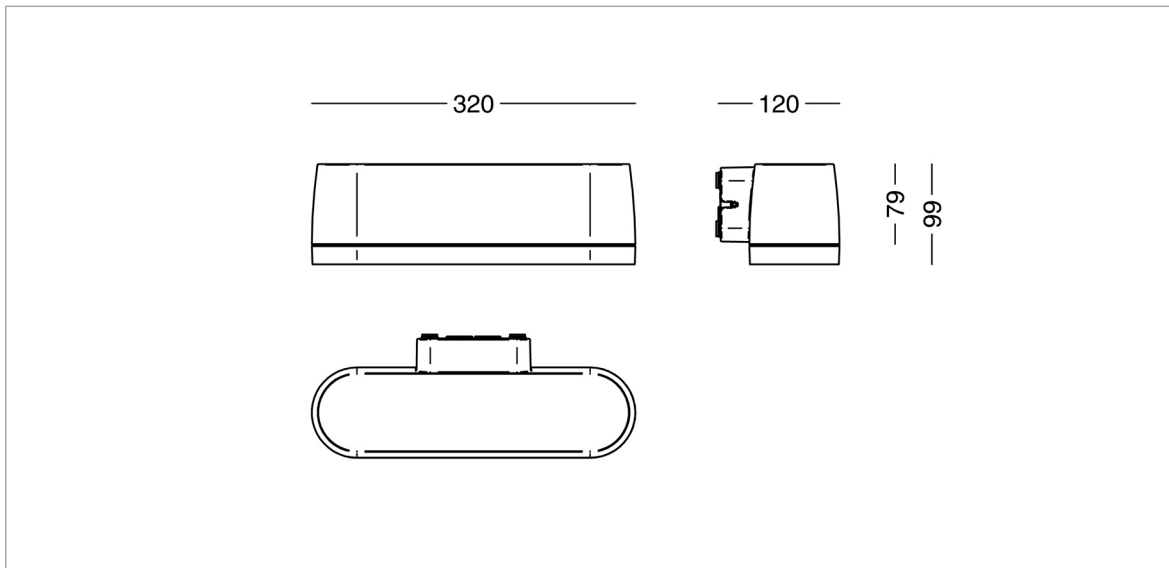
White RAL 9010 Textura
Black Noir 900 Sablé
Alu-grey RAL 9006 Textura
Corten brown YX355F

Lamp type:

Linear LED Module

Pelée Wall

Design: Cubo Architects



Luminaire spec:

Material:	Cast aluminium with powder coating
Finish:	white RAL 9010 Textura black Noir 900 Sablé SN351F alu-grey RAL 9006 Textura corten brown YX355F
Shade:	Polycarbonate, opalised
Mounting:	On wall, double cable entry
Connection:	Max 5 x 2.5 mm ²
Classification:	IP66, class I or II
Impact resistance:	IK08
Weight:	1.5 kg

LED and driver spec:

LED:	Linear LED Module
Total consumption:	9 W (350 mA) or 13 W (500 mA)
Luminous power:	1020-1568 lumen
Operational life:	min 50,000 hours at ta 25°C, L80B10
Colour temperature:	2700, 3000, or 4000 Kelvin
Colour rendering:	min 90 Ra
Colour accuracy:	3 steps SDCM
Output ratio:	76%
Driver:	Helvar LED driver, 350-500 mA Dimmable at extra cost
Operational life:	min 50,000 hours

Variants

PELÉE WALL								
Item No.	Lamp type		Select colour, colour temperature etc. in the table below.					
6891-	9 W, 350 mA							
6892-	13 W, 500 mA							
Combine with:	Colour		Colour temperature		Driver control		Classification	
	1	white	927	2700 K, 90 Ra	empty	no dimming	empty	class I
	9	alu-grey	930	3000 K, 90 Ra	D	Dali	K	class II
	17	corten brown	940	4000 K, 90 Ra	V	1-10 V		
	66	noir 900						
Example Order code:	6891-1930 = Pelée Wall, 9 W, white, 3000 K 90 Ra, class I							