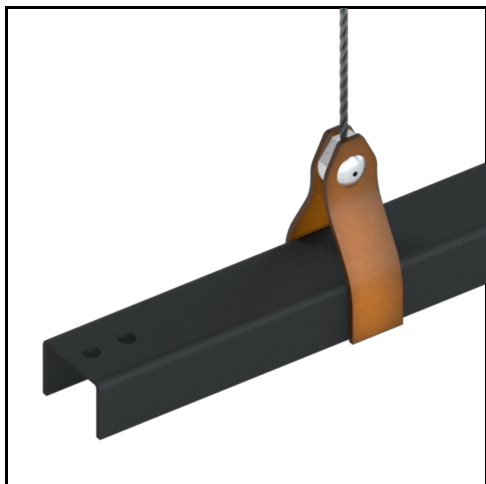


ULTIMA-P NANO IP40

Area: **Indoor Luminaires**

Category: **General lighting & task lighting**

Mounting: **Pendant (concrete & other ceilings) / Pendant (grid ceiling) / Pendant (mechanical connector)**



Unobtrusive and minimal pendant luminaire, yet packing a powerful punch and suitable for any task lighting.

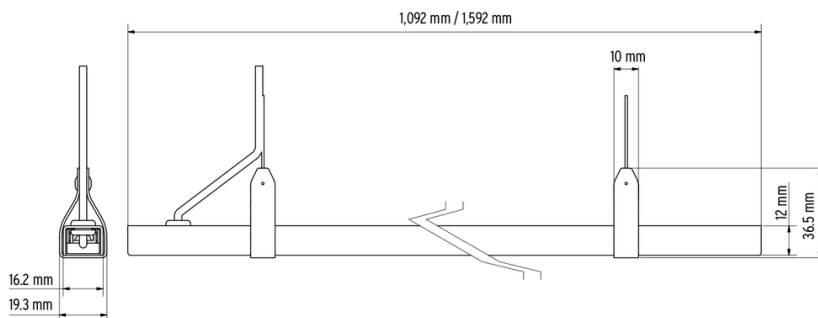
Intended primarily as a stand-alone luminaire, with multiple options.

- Extremely small for a pendant luminaire, especially when considering the built-in optical technology and an output of up to 1,840 lm/m.
- NanoRay 2.0 optics offer precise beam and glare control with minimal color over angle.
- Standard includes multiple variations like 40° or 60°, Batwing and opal optics; 4 different color temperatures as well as 6 different housing/antiglare color combinations.

Detailed specification text in download section.

DIMENSIONS & AVAILABLE LENGTHS

16.2 mm x 12 mm



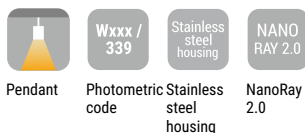
2 Standard lengths (L): 1,092 mm / 1,592 mm

TECHNICAL SPECIFICATIONS

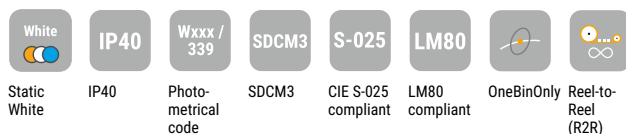
Certifications



Key Features



Technical Data/Performance



ELECTRICAL & OUTPUT DATA

Voltage	24 Volt (23 V _{min} , 25 V _{max})
Case Temperature (T _{Cmin} & T _{Cmax})	T _{Cmin} = -25°C, T _{Cmax} = specific, see Table below
Storage Temperature (T _{Smin} & T _{Smax})	T _{Smin} = -30°C, T _{Smax} = 85°C
Ambient Temperature (T _{Amin} & T _{Amax})	T _{Amin} = -25°C, T _{Amax} = specific, see Table below

ULTIMA-P NANO IP40	15	20
Power (W/m) ^B	15	19
Efficacy (lm/W) ^B	115	113
max. length (m)	1.60	1.60
CRI / R9 (up to)	95 / 86	95 / 86
Temperature Tc-point (T _{Cmax}) ^C	80°C	80°C
max. ambient temp. (T _{Amax})	45°C	40°C

ULTIMA-P NANO IP40	low output		high output	
	15	20	15	20
Color temperature	luminaire lumens/meter (lm/m)^A @ Mid flood - 40° Optics			
● W927	2,700K	1400	1760	
● W930	3,000K	1420	1780	
● W935	3,500K	1440	1810	
● W940	4,000K	1470	1840	

! To configure the specific luminaire please use the online configurator.

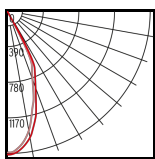
Please note: The orange values are CRI 90 specifications.

^BThe given data are typical values. Due to tolerances of the production process and the electrical components, photometric values and electrical power can vary up to 10%

! Note: -40% luminous flux at opal and -25% with diffuse cover.

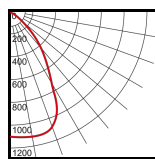
AVAILABLE OPTICS

NanoRay 2.0 optics



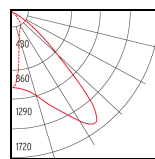
40°

NanoRay 2.0 optics



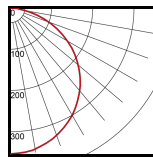
60°

NanoRay 2.0 optics



Batwing

Opal



Opal

ORDER CODE

Example:

ULTIMA-P 15 W927 1092 BB 40 C X A IP40

CONFIGURE NOW!

Options for the order code:

Your selections :

Power/meter

- 15 W/m 15
- 20 W/m 20

Color temperature

- 2,700 K W927
- 3,000 K W930
- 3,500 K W935
- 4,000 K W940

Please note: The orange values are CRI 90 specifications.

Lengths

- 1092 1092
- 1592 1592

Profile color

- Black profile with black anti-glare BB
- Black profile with white anti-glare BW
- Silver profile with black anti-glare SB
- Silver profile with white anti-glare SW
- White profile with white anti-glare WW
- White profile with black anti-glare WB

Optics

- Mid flood - 40° Optics 40
- Wide flood - 60° Optics 60
- Batwing BW

Mounting type

- Pendant (concrete / false ceiling) C
- Pendant (grid ceiling) G

Powersupply

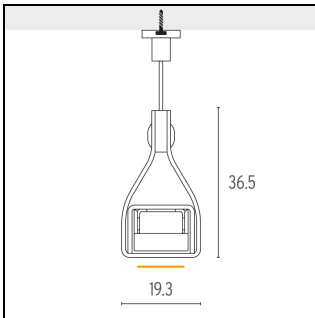
- Without driver X
- Canopy with driver C
- External driver E

Control

- On / Off A
- CASAMBI C
- DALI DT-6 D

MOUNTING

Pendant (concrete & other ceilings)



Mounting accessories

Mounting option "C" in order code. No additional accessories are required for this mounting option.

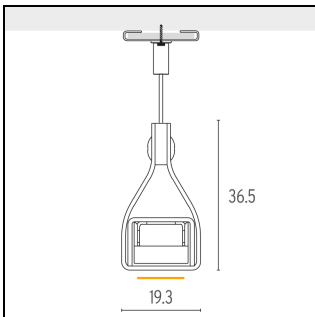
Description

Ceiling fasteners for false ceiling or concrete ceilings.

Example of application



Pendant (grid ceiling)



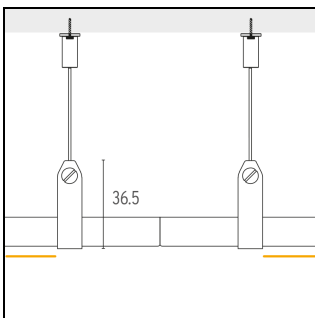
Mounting accessories

Mounting option "G" in order code. No additional accessories are required for this mounting option.

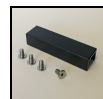
Description

Grid ceiling clip for easy mounting on the cross struts of the ceiling.

Pendant (mechanical connector)



Mounting accessories



Luminaire connector
ULTIMA-P (Set)
Art.-#: 13000408-SCH

Description

Mechanically connect two adjacent luminaires.

Power & Controls

The following accessories are included with the luminaire if chosen as part of the order code.

1a. Surface mounted canopy with driver*



PSU option "C" in order code
VarioCANOPY Square Mounting set (optional)
for pendant ceiling installations on concrete ceilings.
(suitable for all countries except North America)

1b. External driver*



PSU option "E" in order code
VarioPSU 24V/35W IP20, 100-277 V
(suitable for all countries except North America)

2a. CASAMBI



Control option "C" in order code
IN.finite Casambi 2CH CV

2b. DALI



Control option "D" in order code
IN.finite DALI DT6 2CH CV

* If PSU option "C" or "E" was chosen as part of order code, no further accessories are required to install and operate the luminaire.