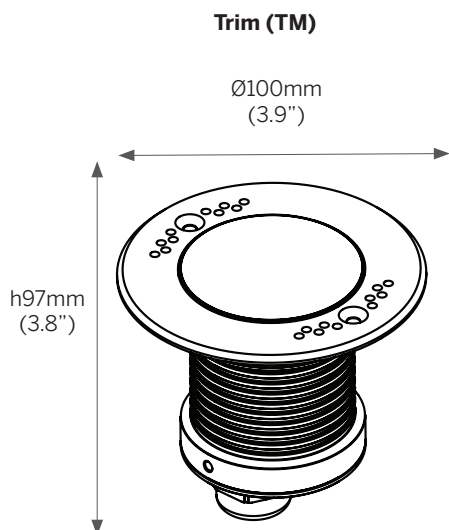




Ordering Information						
Model	Installation	Power	Color Temp.	Optics	Voltage	Options
AM	TM	L	30 40	SP FL W	12 24	C* C6 C9 C20
		H	30 40 RGBW			



UL STD 676 swimming pool rated
CSA C22.2#89 swimming pool rated
IP68



LUMINARIE FEATURES

Design and Application

- Installation depth max. up to 5m (16')
- Max tile thickness 25mm (1")
- Trim flange overlap 10mm (0.4")
- Low glare louvre (40% less output)
- DMX, DALI, 0-10V compatible (remote)
- Wall and stairs installation
- Small and medium pools
- Fountains and water features

Performance

- IK10, Tempered glass, crystal clear
- Chlorine and saline environment
- Stainless Steel type 316L, marine grade
- Galvanic current protection (installation housing)
- Thermal fold back technology
- Lifetime TM-21 @85C L80(10K)=60500h
- Supplied with oil and water resistant 3m (10') feed cable as standard
- Operating temperature from -25°C (-13°F) to 40°C (104°F)*. -25°C (-13°F) in conditions without water
- CR1: > 85
- 3 Step MacAdam

Safety

- Remote power supply
- Low voltage operation
- Recessed installation

Sustainability

- Recyclable material

ORDERING INFORMATION

Application/Dimensions

- TM = 100mm x 97mm (3.9"Ø x 3.7")

Power - delivered lumen output

- L - 9W 3000/4000K, 600lm
- H - 15W 3000/4000K, 1000lm
- H - 15W RGBW (W 4000K)

Color Temperature

- 30 - 3000K
- 40 - 4000K
- RGBW (W 4000K)

Optics

- SP - Spot - 15°
- FL - Flood - 40°
- W - Wide - 70°

Voltage

- 12 - 12VDC fixture voltage
- 24 - 24VDC fixture voltage

Options

- C - standard feed cable 3m (10')
- C6 - luminaire supplied with 6m (20') feed cable
- C9 - luminaire supplied with 9m (30') feed cable
- C20 - luminaire supplied with 20m (65') feed cable

Installation housing

- AM382- back feed
- AM382S- side feed
- AM382SP- stainless steel installation
- AM382LN - liner installation

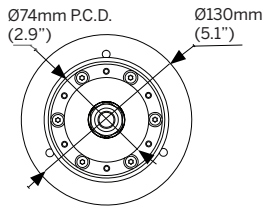
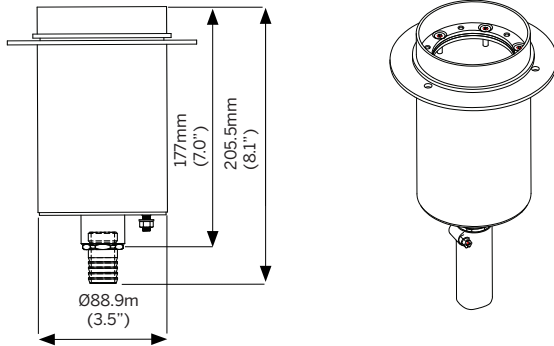
POWER SUPPLIES

List of proposed power supplies that are to be ordered separately.
 Please click [link](#) for list of available drivers

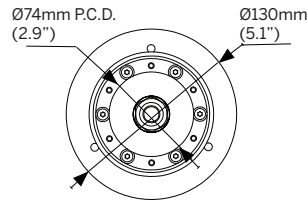
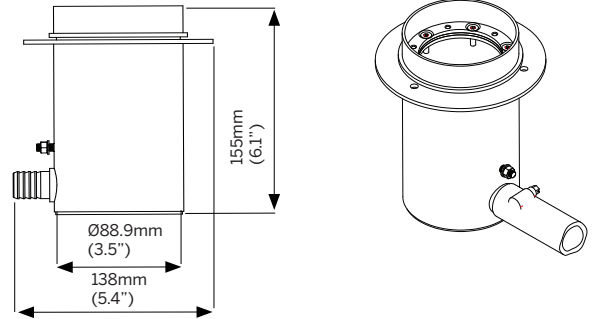
Click [here](#) for voltage drop and distances.

Installation Details

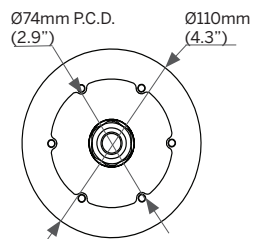
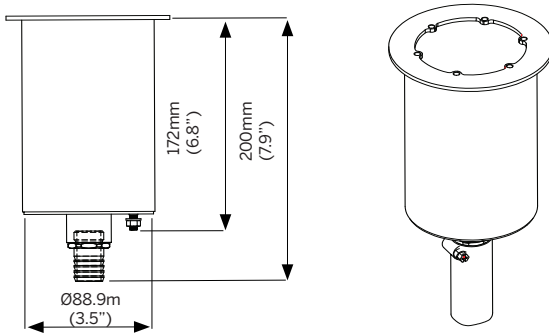
Installation housing - AM382 *fits 1m (3") cable
Concrete pool installation BACK FEED



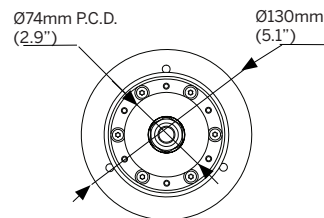
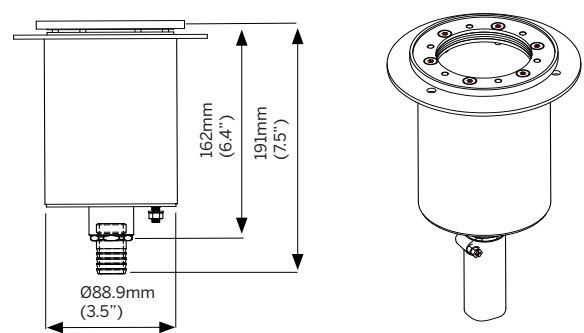
Installation housing - AM382S *fits 1m (3") cable
Concrete pool installation SIDE FEED



Installation housing - AM382SP *fits 1m (3") cable
Stainless steel pool installation



Installation housing - AM382LN *fits 1m (3") cable
Liner pool installation



International: +385 52 255 324 filixlighting.com
info@filixlighting.com
 Europe/GmbH: info@filixlighting.com
 Europe MENA: info@filixlighting.com
 North America: filixlighting-usa.com info@filixlighting.com

Filix reserves the right to make technical changes without notice.