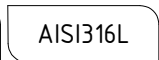
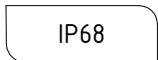
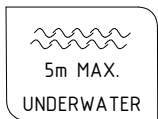
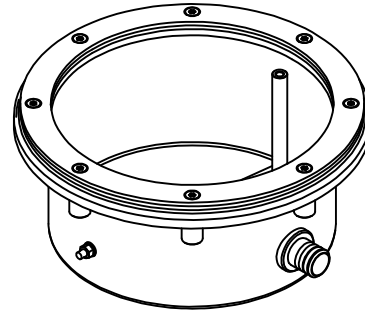
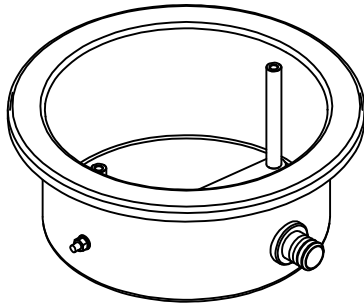


ARPOOL L

INSTALLATION INSTRUCTIONS (HOUSING)



ALL DIMENSIONS ARE GIVEN ACCORDING TO THE SI SYSTEM OF UNITS (MM, KG, °C), ADDITIONAL DIMENSIONS THAT ARE WRITTEN IN BRACKETS, ARE GIVEN ACCORDING TO THE U.S. MEASUREMENT SYSTEM (IN, LBS, °F)

GENERAL REMARKS ON SAFETY

- READ ALL OF THESE INSTRUCTIONS BEFORE INSTALLING THE HOUSING.
- KEEP ALL OF THE INSTRUCTIONS FOR FUTURE REFERENCE.
- INSTALLATION IS TO BE PERFORMED BY A QUALIFIED CONTRACTOR.
- ALL INSTALLATIONS ARE TO CONFORM TO THE STANDARDS OF THE NATIONAL ELECTRICAL CODE AS WELL AS ALL LOCAL JURISDICTIONAL CODES AND REGULATIONS.
- THE MANUFACTURER ACCEPTS NO RESPONSIBILITY FOR DAMAGE TO PERSONS OR PROPERTY ARISING THROUGH IMPROPER USE OR INSTALLATION.
- HOUSINGS' SURFACES EXPOSED TO THE EFFECTS OF WATER (INCLUDING WATER CONTAINING CHLORINE) ARE MADE OUT OF AISI316L STAINLESS STEEL. AISI316L IS SUITABLE FOR THIS USE AND WILL PREVENT CORROSION UP TO LEVEL OF 1000 PPM OF CHLORINE IN WATER AND UP TO WATER pH LEVEL OF 7.

WARRANTY

ALL PRODUCTS ARE FACTORY TESTED AND ARE GUARANTEED FREE FROM FACTORY DEFECT FOR A PERIOD OF 36 MONTHS UNDER FOLLOWING TERMS:

- PRODUCT HAS NOT BEEN SUBJECT TO INCORRECT VOLTAGE OR POLARITY CONNECTION.
- PRODUCT HAS NOT BEEN SUBJECT TO PHYSICAL OR ATMOSPHERIC DAMAGE.
- PRODUCT HAS BEEN RETURNED AND FACTORY EVALUATED FOR DEFECT OR MALFUNCTION.
- ALL DRIVERS AND CONTROLLERS ARE APPROVED FOR USE BY FILIX.
- THE HOUSING FACTORY SEAL (IP RATING) HAS NOT BEEN COMPROMISED

THE MANUFACTURER ACCEPTS NO RESPONSIBILITY FOR DAMAGE TO PERSONS OR PROPERTY ARISING THROUGH IMPROPER USE OR INSTALLATION.

ANY MODIFICATION OF THE HOUSING WILL VOID ANY AND ALL WRITTEN OR IMPLIED WARRANTIES.

STANDARD REPLACEMENT AND NORMAL SERVICING TERMS.

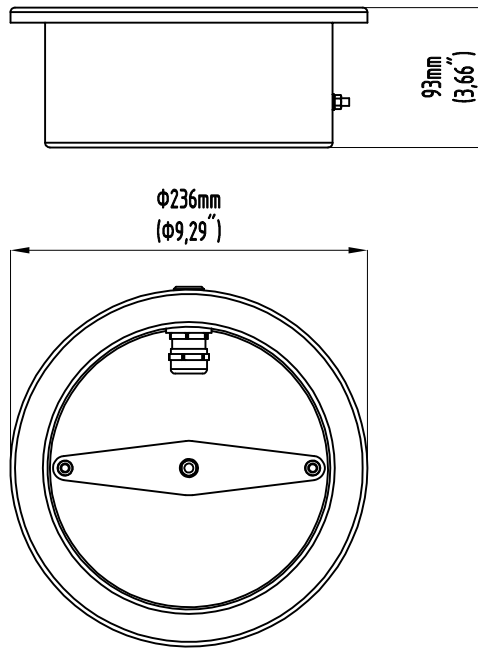
ALL ELECTRONIC AND OTHER CONSUMABLE COMPONENTS ARE SUBJECT OF EXCHANGE AFTER 36 MONTHS OF OPERATIONS. PRODUCT PERFORMANCE DEPENDS OF CRITICAL ELECTRONIC AND OTHER COMPONENTS WHICH CAN BE SERVICED WITH OFFICIAL DEALER OR DIRECTLY WITH THE MANUFACTURER.

MANUFACTURER HOLDS THE RIGHT TO REPAIR AND CHANGE COMPONENTS AS PER CURRENT COMPONENT AVAILABILITY.

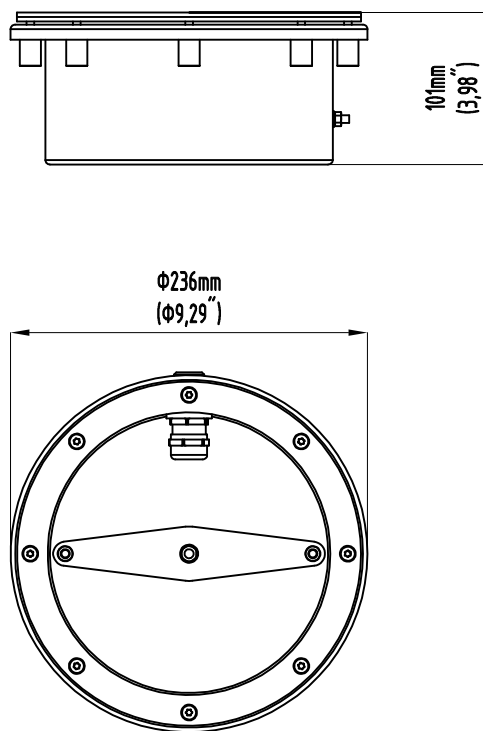
MANUFACTURER CANNOT BE HELD LIABLE FOR COMPONENTS AND OTHER EXPENSES (DE-INSTALLATION, INSTALLATION, SHIPPING, ETC.) INCURRED DURING THE PROCESS OF PRODUCT IMPROVEMENT AND SERVICING.

HOUSING DIMENSIONS

TRIM/WELDMENT HOUSING



LINER HOUSING



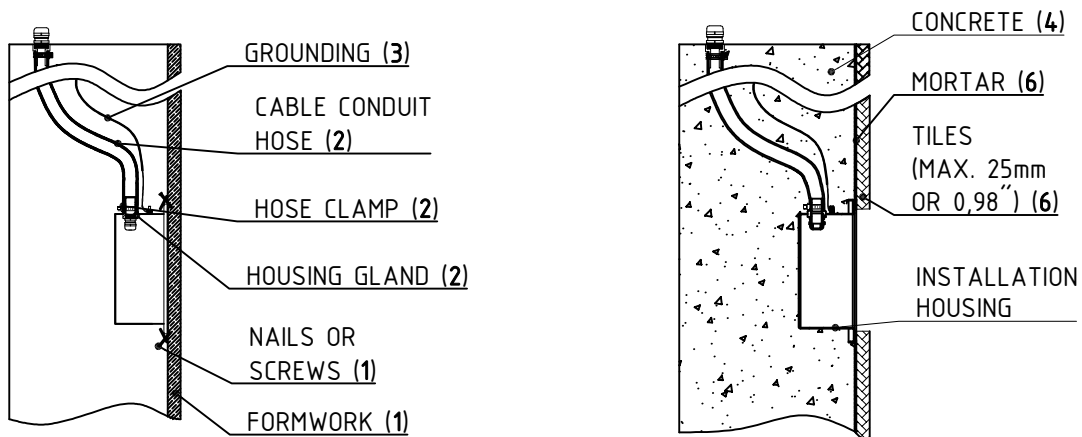
TRIM HOUSING

1. ATTACH THE ARPOOL INSTALLATION HOUSING TO THE FORMWORK WITH NAILS OR SCREWS
2. FIX THE CABLE CONDUIT HOSE WITH THE CABLE CLAMP TO THE CABLE GLAND
3. CONNECT GROUNDING TO THE HOUSING
4. POUR THE CONCRETE AROUND THE HOUSING
5. REMOVE THE FORMWORK AND CUT OF THE EXCESS NAIL OR SCREW
6. PUT MORTAR AND TILES

IMPORTANT SUGGESTION:

IT IS ADVISED THAT THE THICKNESS OF TILES+MORTAR IS 25mm(1")

MAKE SURE THAT YOU KEEP THE CABLE GLAND ENTRY AT 45° THIS WILL ENSURE CORRECT FIXTURE INSTALLATION

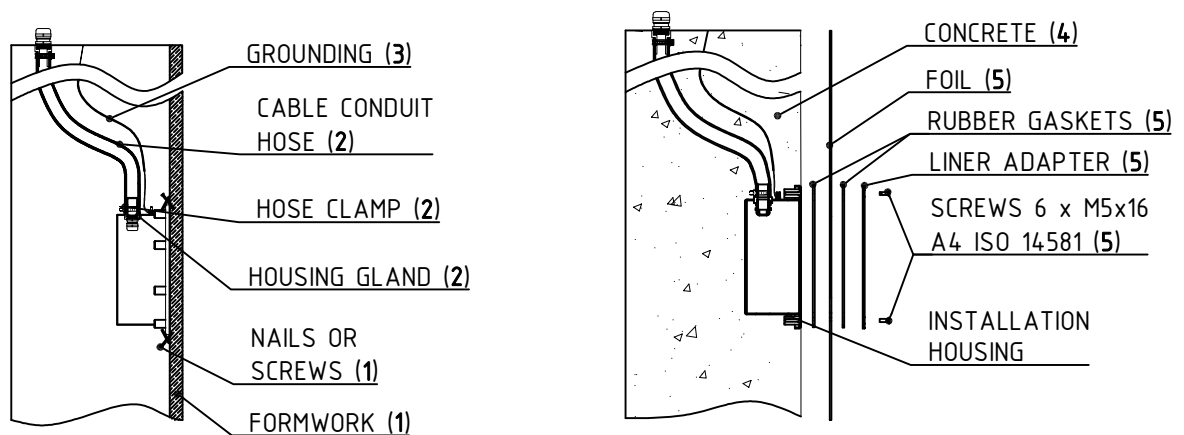


LINER HOUSING

1. ATTACH THE ARPOOL INSTALLATION HOUSING TO THE FORMWORK WITH NAILS OR SCREWS
2. ATTACH CABLE CONDUIT HOSE TO HOUSING GLAND WITH HOSE CLAMP
3. GROUND THE HOUSING (GROUNDING WIRE NOT SUPPLIED BY MANUFACTURER)
4. POUR THE CONCRETE AROUND THE HOUSING
5. WHEN FORMWORK IS REMOVED PLACE FIRST RUBBER GASKET AND USE DRILLING TEMPLATE FROM THE MANUAL FOR CUT FOIL. THEN PLACE SECOND RUBBER GASKET AND LINER ADAPTER, ONCE IT PLACED FASTEN IT WITH SCREWS (SCREWS SUPPLIED BY MANUFACTURER M5X20 A4 / MARINE GRADE)

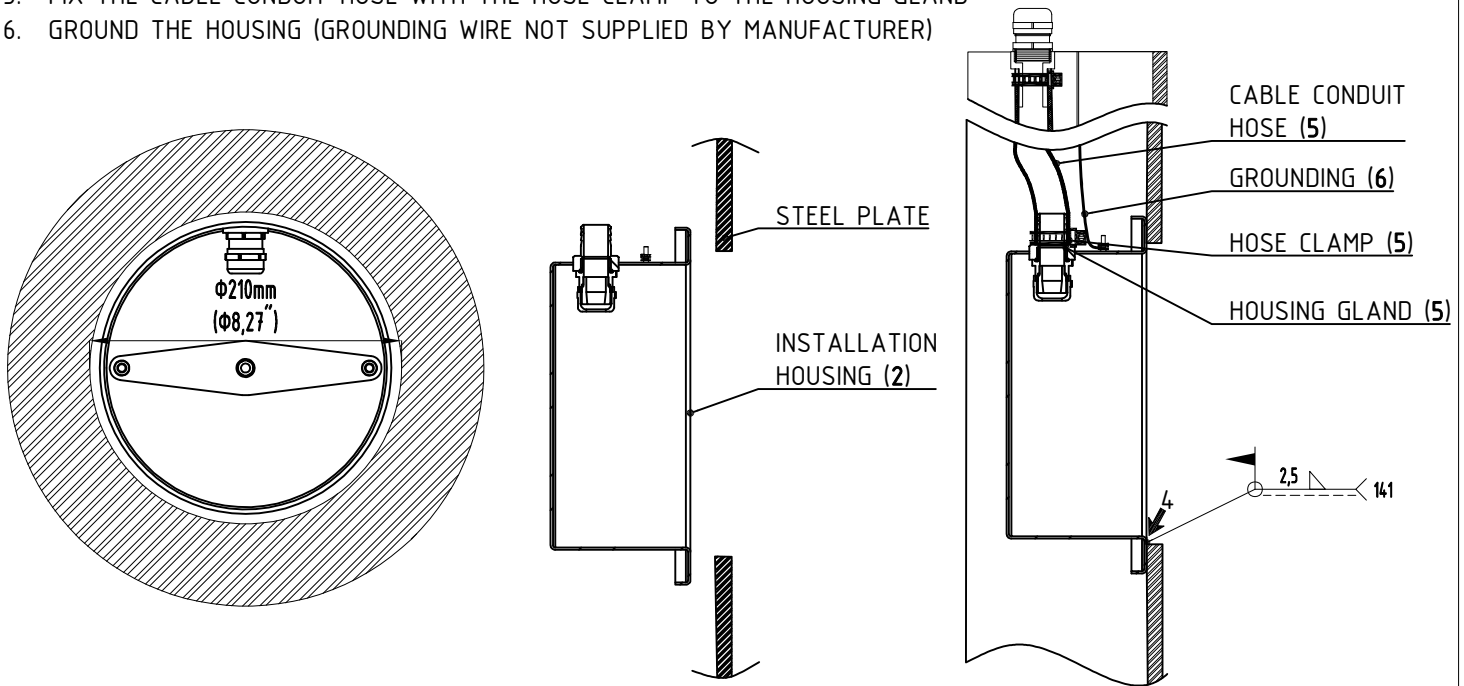
IMPORTANT SUGGESTION:

MAKE SURE THAT YOU KEEP THE CABLE GLAND ENTRY AT 45° THIS WILL ENSURE CORRECT FIXTURE INSTALLATION



WELDMENT HOUSING

1. CUT STEEL ($\Phi 210\text{mm}$ OR $\Phi 8,27''$) FOR FIXTURE MOUNT AS PER DETAIL BELOW
2. PLACE THE HOUSING BEHIND THE STEEL SHEETING
3. FIX THE HOUSING TO THE STEEL SHEETING
4. WELD THE HOUSING TO THE STEEL SHEETING
5. FIX THE CABLE CONDUIT HOSE WITH THE HOSE CLAMP TO THE HOUSING GLAND
6. GROUND THE HOUSING (GROUNDING WIRE NOT SUPPLIED BY MANUFACTURER)



DRILLING TEMPLATE

NOTE:
DRAWING IS NOT IN 1:1 SCALE

