

# Arpool M Projector

Specification Sheet



## Ordering Information

Model	Power	Color Temp.	Optics	Voltage	Options
AMP	L	30 40	SP FL W	12 24	C C6 C9 C20
	H	30 40 RGBW			



**UL STD 676** swimming pool rated  
**CSA C22.2#89** swimming pool rated  
**IP68**

## LUMINAIRE FEATURES

### Design and Application

- Installation depth max. up to 5m (16')
- Glare reduction accessory - snoot
- DMX, DALI, 0-10V compatible (remote)
- Surface mount (floor/wall) installation
- Underwater architectural lighting
- Fountains and water features

### Performance

- IK10, Tempered glass, crystal clear
- Chlorine and saline environment
- Stainless Steel type 316L, marine grade
- Galvanic current protection
- Thermal fold back technology
- Lifetime TM-21 @85C L80(10K)=60500h
- Supplied with oil and water resistant 3m (10') feed cable as standard
- Operating temperature from -25°C (-13°F) to 40°C (104°F)\*-25°C (-13°F) in conditions without water
- CRI: > 85
- 3 Step MacAdam

### Safety

- Remote power supply
- Low voltage operation
- Recessed installation

### Sustainability

- Recyclable material

## ORDERING INFORMATION

### Application/Dimensions

- AMP - 99.6mm x 63mm x 97mm (3.9"x 2.5"x 3.7")
- AMPS - 100mm x 63mm x 140mm (3.9"x 2.5"x 5.5")

### Power - delivered lumen output

- L - 9W 3000/4000K, 600 lm
- H - 15W 3000/4000K, 1000lm
- L - 15W RGBW (W 4000K)

### Color Temperature

- 30 - 3000K
- 40 - 4000K
- RGBW (W 4000K)

### Optics

- SP - Spot - 15°
- FL - Flood - 40°
- W - Wide - 70°
- SE - Elliptical - 20°x 120°

### Voltage

- 12 - 12VDC fixture voltage
- 24 - 24VDC fixture voltage

### Options

- C - standard feed cable 3m (10')
- C6 - luminaire supplied with 6m (20') feed cable
- C9 - luminaire supplied with 9m (30') feed cable

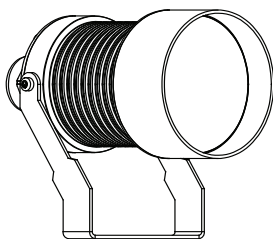
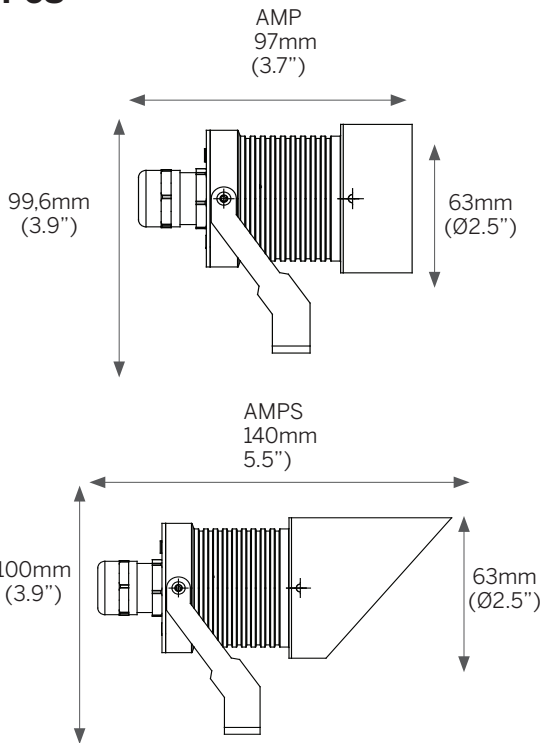
### Accessories

- AMPS - Projector Snoot
- 202135 - Adjustable waterproof wall duct 17mm-25mm (0.66"-0.98")

### POWER SUPPLIES

List of proposed power supplies that are to be ordered separately. Please click [link](#) for list of available drivers

Click [here](#) for voltage drop and distances.

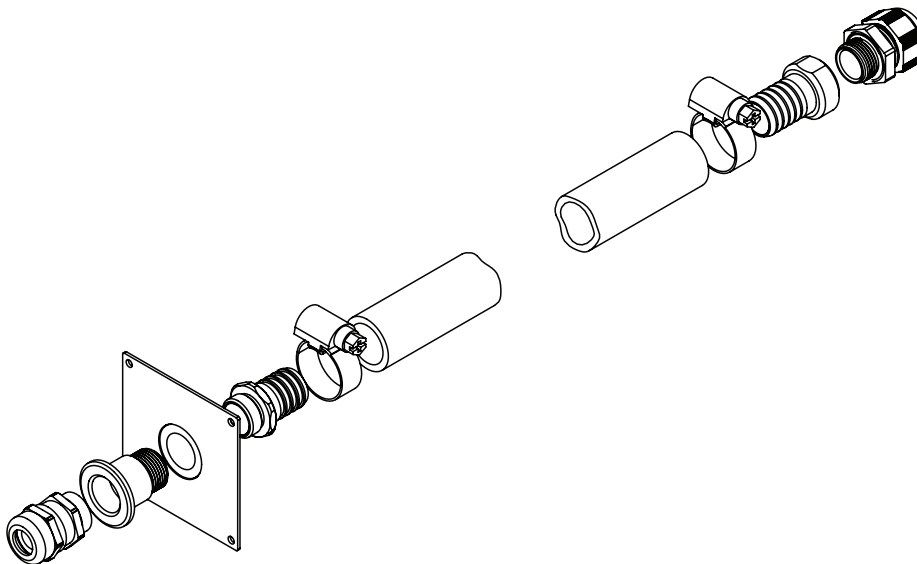
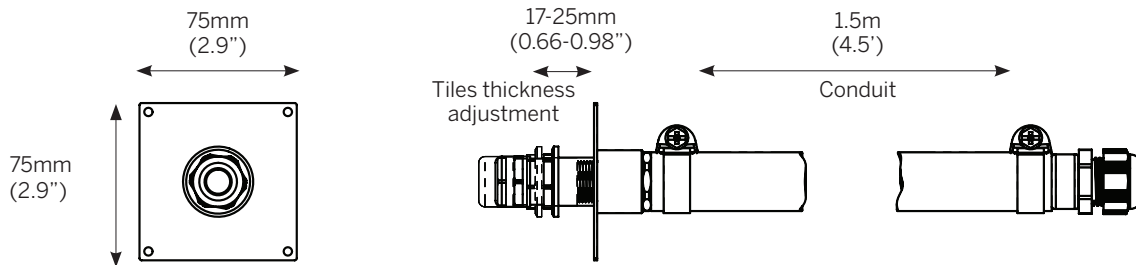


International: +385 52 255 324 [filixlighting.com](http://filixlighting.com)  
[info@filixlighting.com](mailto:info@filixlighting.com)  
 Europe/GmbH: [info@filixlighting.com](mailto:info@filixlighting.com)  
 Europe MENA: [info@filixlighting.com](mailto:info@filixlighting.com)  
 North America: [filixlighting-usa.com](http://filixlighting-usa.com) [info@filixlighting.com](mailto:info@filixlighting.com)

Filix reserves the right to make technical changes without notice.

## Waterproof wall duct - 202135

Installation Details



International: +385 52 255 324 [filixlighting.com](http://filixlighting.com)  
[info@filixlighting.com](mailto:info@filixlighting.com)  
Europe/GmbH: [info@filixlighting.com](mailto:info@filixlighting.com)  
Europe MENA: [info@filixlighting.com](mailto:info@filixlighting.com)  
North America: [filixlighting-usa.com](http://filixlighting-usa.com) [info@filixlighting.com](mailto:info@filixlighting.com)

Filix reserves the right to make technical changes without notice.