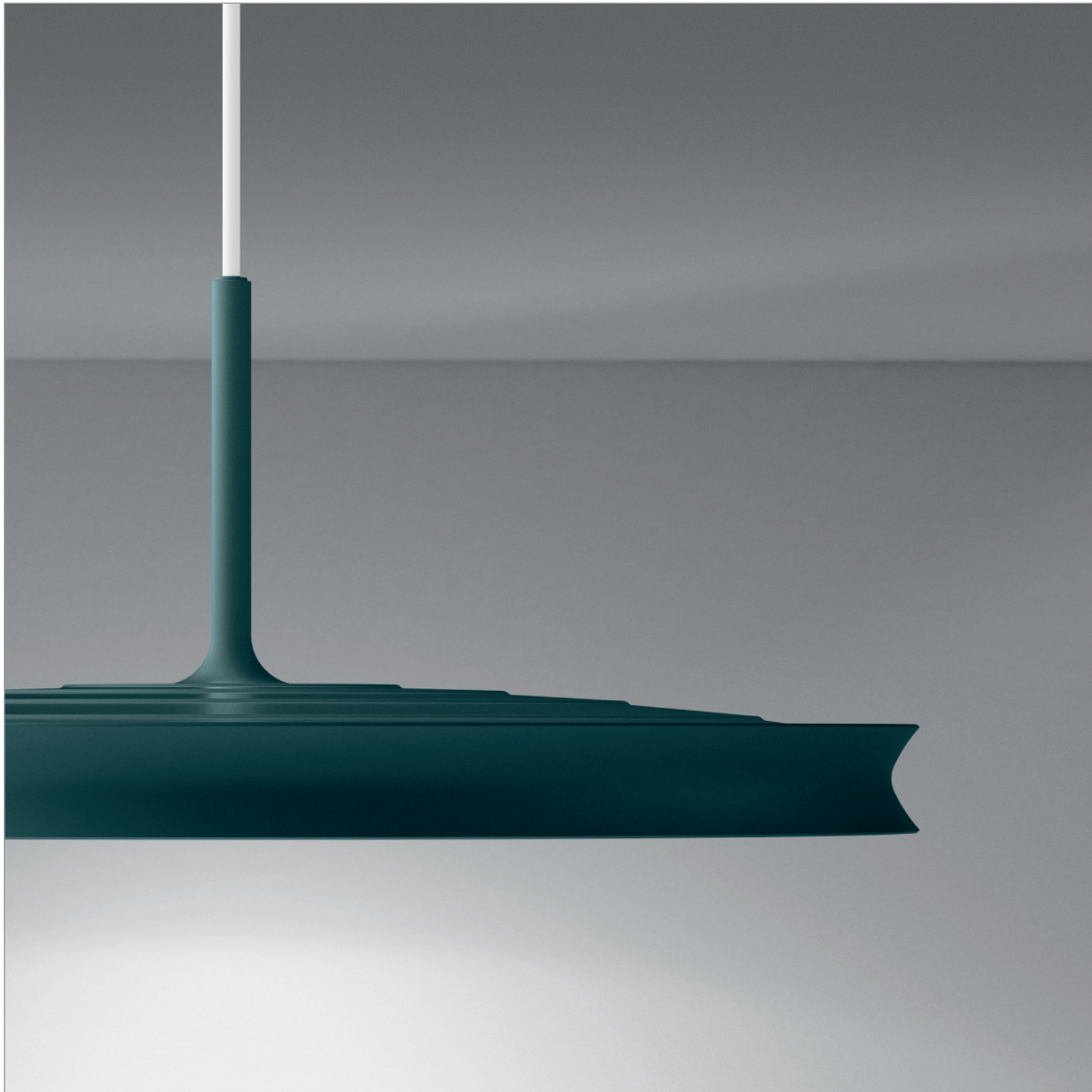


# Yoyo - pendant

Design: C.F. Møller Architects



**Yoyo** is a range of elegant interior light fixtures with low height.

C.F. Møller Architects are the masters of Yoyo's elegant design with distinct curves and slim profiles. Concluded by sharp profiles at both ends, the characteristic parable results in a unique and sculptural look and the impression of a floating luminaire.

Being edge lit the Yoyo fixtures are free from dots and shadows from other components. The light from the edge is guided through the LGP and sent downwards by the top reflector.

**Types:**

For wall or ceiling, uplight optional  
Pendants

**Sizes:**

Diameter: 225, 350, or 535 mm  
Diameter pendant: 535 or 350 mm

**Finish:**

Various RAL colours

**Lighting:**

LED: Edge Lit  
Top reflector + light guide plate (LGP)

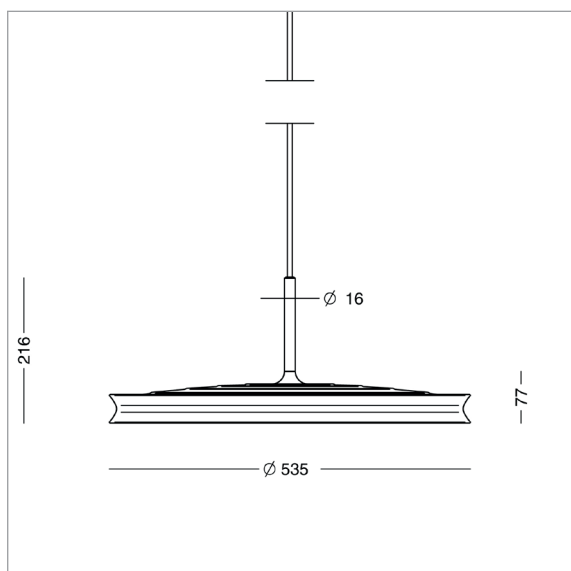
# Yoyo 535 - pendant

Design: C.F. Møller Architects



## Luminaire specification:

|                 |   |
|-----------------|---|
| Material:       | Cast aluminium  |
| Colour, G20:    | white RAL9010, black RAL9005, alu-grey RAL9006, yellow RAL1032, orange RAL2003, blue-green RAL6004, squirrel grey RAL7000 |
| Shade:          | Acrylate (PMMA), opalised or micro prismatic  |
| Lead:           | 3 m white or black PKLJ   |
| Classification: | IP20, class I   |
| Weight:         | 4.2 kg  |
| Lamp type:      | LED   |



## LED and driver specification:

|                     |                                       |
|---------------------|---------------------------------------|
| LED:                | Edge Lit                              |
| Total consumption:  | 26-36 W                               |
| Operational life:   | min 50,000 hours at ta 25°C<br>L80B10 |
| Colour temperature: | 2700, 3000, or 4000 Kelvin            |
| Colour rendering:   | min 90 Ra                             |
| Colour accuracy:    | 3 Steps SDCM                          |
| Driver:             | 500-700 mA,<br>option for dimmable    |

## Product codes:

| YOYO 535 - pendant |  |       |   |                    |               |                       |            |
|--------------------|--|-------|---|--------------------|---------------|-----------------------|------------|
| Item No.           | Lamp type  |       | Select colour, colour temperature, etc. in the table below. |                    |               |                       |            |
| 1850-              | 26 W LED, 500 mA   |       |   |                    |               |                       |            |
| 1851-              | 36 W LED, 700 mA   |       |   |                    |               |                       |            |
| Combine with:      | Colour   | Shade |   | Colour temperature |               | Dimming/Control       |            |
|                    | 1 white RAL 9010   | empty | PMMA opalised   | 927                | 2700 K, 90 Ra | empty                 | no dimming |
|                    | 3 black RAL 9005   | M     | PMMA micro prismatic  | 930                | 3000 K, 90 Ra | D                     | Dali       |
|                    | 19 alu-grey RAL 9006   |       |   | 940                | 4000 K, 90 Ra |                       |            |
|                    | 102 yellow RAL 1032  |       |   |                    |               |                       |            |
|                    | 103 orange RAL 2003  |       |   |                    |               | <b>Colour of lead</b> |            |
|                    | 104 blue-green RAL 6004  |       |   |                    |               | empty                 | white      |
|                    | 105 squirrel grey RAL 7000   |       |   |                    |               | Y                     | black      |
| Example Item No.:  | 1851-19M930D = Yoyo 535 pendant, 36 W, alu-grey, prismatic shade, 3000 K 90 Ra, Dali, white lead |       |   |                    |               |                       |            |

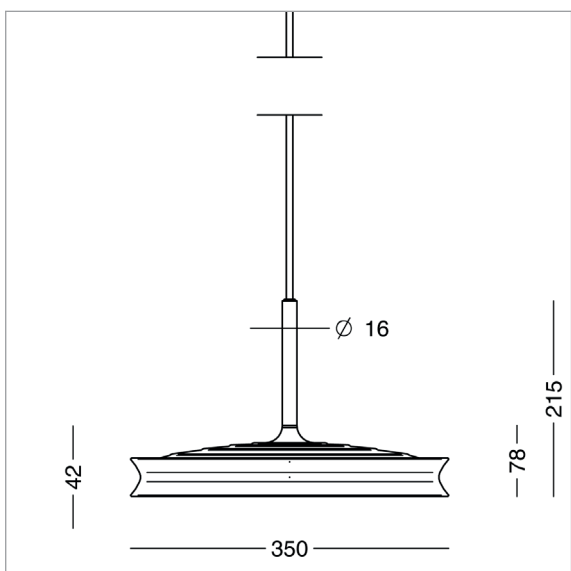
# Yoyo 350 - pendant

Design: C.F. Møller Architects



## Luminaire specification:

|                 |   |
|-----------------|---|
| Material:       | Cast aluminium  |
| Colour, G20:    | white RAL9010, black RAL9005, alu-grey RAL9006, yellow RAL1032, orange RAL2003, blue-green RAL6004, squirrel grey RAL7000 |
| Shade:          | Acrylate (PMMA), opalised or micro prismatic  |
| Lead:           | 3 m white or black PKLJ   |
| Classification: | IP20, class I   |
| Weight:         | 2.2 kg  |
| Lamp type:      | LED   |



## LED and driver specification:

|                     |                                       |
|---------------------|---------------------------------------|
| LED:                | Edge Lit                              |
| Total consumption:  | 16-23 W                               |
| Operational life:   | min 50,000 hours at ta 25°C<br>L80B10 |
| Colour temperature: | 2700, 3000, or 4000 Kelvin            |
| Colour rendering:   | min 90 Ra                             |
| Colour accuracy:    | 3 Steps SDCM                          |
| Driver:             | 500-700 mA,<br>option for dimmable    |

## Product codes:

| YOYO 350 - pendant |  |       |   |                    |               |                 |            |
|--------------------|--|-------|---|--------------------|---------------|-----------------|------------|
| Item No.           | Lamp type  |       | Select colour, colour temperature, etc. in the table below. |                    |               |                 |            |
| 1853-              | 16 W LED, 500 mA   |       |   |                    |               |                 |            |
| 1854-              | 23 W LED, 700 mA   |       |   |                    |               |                 |            |
| Combine with:      | Colour   | Shade |   | Colour temperature |               | Dimming/Control |            |
|                    | 1 white RAL 9010   | empty | PMMA opalised   | 927                | 2700 K, 90 Ra | empty           | no dimming |
|                    | 3 black RAL 9005   | M     | PMMA micro prismatic  | 930                | 3000 K, 90 Ra | D               | Dali       |
|                    | 19 alu-grey RAL 9006   |       |   | 940                | 4000 K, 90 Ra |                 |            |
|                    | 102 yellow RAL 1032  |       |   |                    |               |                 |            |
|                    | 103 orange RAL 2003  |       |   |                    |               |                 |            |
|                    | 104 blue-green RAL 6004  |       |   |                    |               |                 |            |
|                    | 105 squirrel grey RAL 7000   |       |   |                    |               |                 |            |
|                    |  |       |   |                    |               | Colour of lead  |            |
|                    |  |       |   |                    |               | empty           | white      |
|                    |  |       |   |                    |               | Y               | black      |
| Example Item No.:  | 1853-1M927D = Yoyo 350 pendant, 16 W, white, prismatic shade, 2700 K 90 Ra, Dali, white lead |       |   |                    |               |                 |            |