

### Casambi - Occupancy detectors

## PD4-CAS-GH



white mat, similar to  
RAL9010 , Art.-Nr.: 93472

### Product Information

- Casambi occupancy detector for surface mounting in large mounting heights
- Bright LED indication for commissioning
- External telescopic light sensor for a mounting height between 5 and 16 m (mechanically adjustable) for measuring the light according to the application.
- Mixed light measurement with external light sensor
- Adjustment of the reflection factor and input of the luminosity for the display of the actual luminosity in the app
- Extension of the detection area with additional B.E.G. Casambi devices possible
- Individual adaption of detection sensitivity for each PIR sensor
- Detection area can be restricted with blinds
- There are markings to ensure correct alignment during installation
- **When used in high-bay warehouses, care should be taken that, in the cross-aisles of the warehouse, detectors are installed that can detect movement only in the desired aisle locations, by using blinds or other technical arrangements.**
- Manual switching and dimming via push button possible
- Functions adjustable via Casambi app
- **Application examples:**  
high-bay warehouse, sports halls/ storage rooms

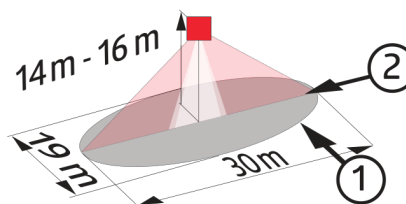
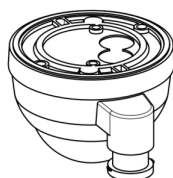
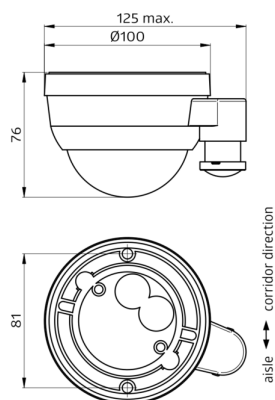
### Technical Data

**Voltage:** 230 V AC  $\pm$ 10% 50 Hz

<b>Dimensions:</b>	Ø 101 x 76 mm
<b>Settings:</b>	Casambi App
<b>Power consumption:</b>	0,4 W
<b>Detection area:</b>	horizontal 360° oval (Ceiling mounting)
<b>Range:</b>	30 m x 19 m
<b>Monitored area (tangential movement):</b>	440 m <sup>2</sup> / 14 m mounting height
<b>Mounting height min./max./recommended:</b>	5 m / 16 m / 14 m
<b>Degree / class of protection:</b>	IP54 / Class II
<b>Impact strength:</b>	IK04
<b>Ambient temperature:</b>	-5 °C to +45 °C
<b>Housing:</b>	polycarbonate, UV-resistant
	<b>Channel 1 (lighting control)</b>
<b>Follow-up time:</b>	1 sec - 60 min
<b>Brightness set value:</b>	1 - 4000 Lux
	Mixed light measuring

## Description

Description	Colour	Part number	EAN number
PD4-CAS-GH	white mat, similar to RAL9010	93472	4007529934720



Dimensions 93472

Range diagram

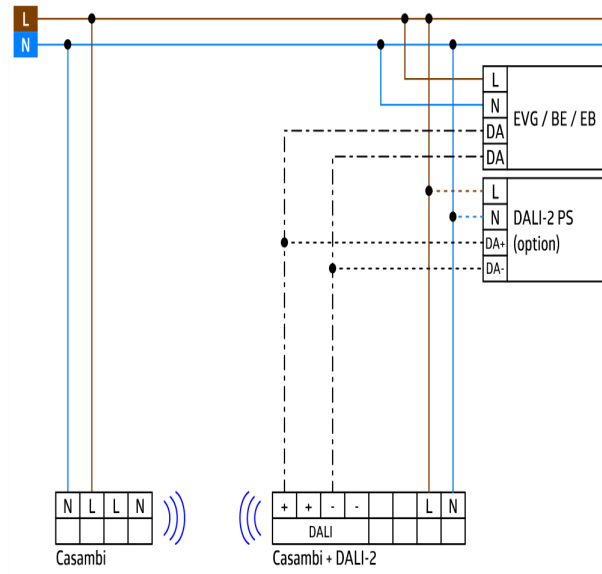
1: Walking across

## 2: Walking towards



### Range diagram

- 1: Walking across
- 2: Walking towards



Wiring diagrams

# CASAMBI