



# TSE40

## 4" LCD Colour Touchscreen

### Key Features

- 4 inch (139.7mm) diagonal backlit capacitive LCD touchscreen.
- Supports multi-touch & gesture
- 720 x 720 pixel resolution
- Connects directly to the iCANnet network
- Also supports PoE Ethernet connection
- No reliance on central gateway product for control of lighting/shading, lighting edit and native iLight HVAC control
- 2 part construction to allow for 1<sup>st</sup> and 2<sup>nd</sup> fix
- Fits standard UK single gang 47mm deep back box
- All graphics and buttons can be customised
- Pass code feature to allow different access levels
- CE & UKCA compliant to all relevant standards
- Designed and manufactured to ISO9001 standard



### Overview

The TSE40 touchscreen is a flexible user interface which provides the user with an intuitive means by which to control the whole built environment including lighting, shading and HVAC. The LCD capacitive screen provides virtually limitless system configuration and control. All pages, content and objects can be tailored to suit the precise needs of the user.

TSE40 comes with a choice of graphical skins which can be selected easily at the programming stage to the clients preference. The look can be further personalised by adding custom background images reinforcing brand identity in retail, hospitality and commercial environments.

TSE40 connects directly to the iLight network or via Ethernet using a TSI-1 touchscreen interface.

## 'User Friendly' Software

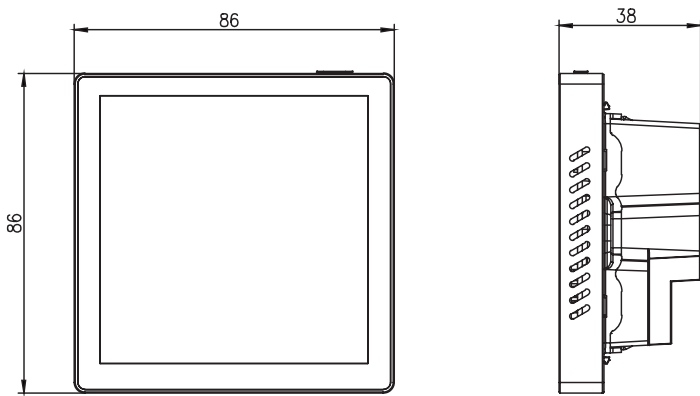
Screen Design and Customisation requires a TSEdesigner Software License. The software incorporates a quick start wizard and full design mode for simple or custom screen designs.

Background images can be quickly applied using the browse function and virtual buttons positioned at any point with a simple 'drag & drop' action. By applying a different appearance to the button, they can be used to show when a function has been activated.

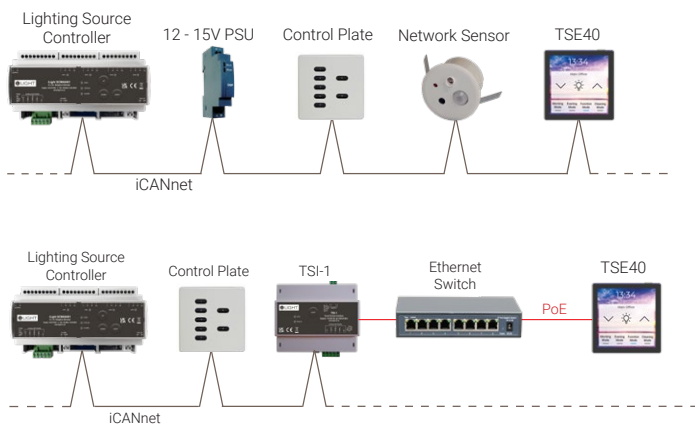
## Functionality

- Scene Selection
- Scene programming
- Channel level edit via graphical sliders showing percentage.
- Scene and channel naming
- Task / sequence programming
- Default screen programming
- Photocell / motion sensor interaction
- Ability to import logos & graphics
- Ability to insert soft buttons for activating scenes and / or channels.

## Dimensions



## Typical Schematics



## Electrical

Supply:  
15VDC (12-18V) via iCANnet™  
12-24V DC auxiliary power supply  
or Power over Ethernet (PoE)

Current Consumption:  
12V DC - 660mA Max  
24V DC - 330mA Max

Programming: TSEdesigner software via Ethernet connection

Diagnostics, set up & programming - Via Ethernet

Firmware & App Update: Via USB or Ethernet

## Mechanical

Dimensions: 86mm (w) x 86mm (h) x 38mm (d)

Mounting depth: 47mm

Display: 4" (101mm) Diagonal

Resolution: 720 x 720 pixels Display:

Projected Capacitive Touch supporting multi-touch & gesture

Fits a standard UK backbox – 47mm deep

Climate Range:

Temperature: +2°C to +50°C

Humidity: +5 to 90% non condensing

## Accessories

TSE 40/100 PSU - 12NC: 912600000669

## Contact Us

+44 (0)1923 495495

[enquiries@iLight.co.uk](mailto:enquiries@iLight.co.uk)

[www.iLight.co.uk](http://www.iLight.co.uk)

### iLight

A brand of Signify  
Usk House, Llantarnam Park  
Cwmbran, NP44 3HD, UK

Changes to the products, to the information contained in this document, and to prices are reserved; so are errors and omissions.

iLight is a registered trademark.  
All other trademarks are property of their respective owners.

© 2023 Signify Holding  
All Rights Reserved

TSC40 Rev4 1023



FM 727924