

# Installation guide

## Verre - Capacitive Glass Control Plate



### Introduction

Verre Series from iLight provide an elegant and flexible solution for the control of lighting, shading and HVAC systems.

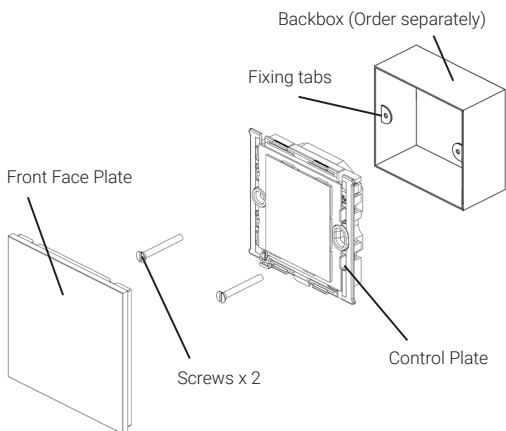
These control plates are connected to the iCAN network using a removable connector on the rear of the panel.

### Fixing to a wallbox

Verre Control Plates fit into a standard single gang 47mm deep UK backbox.

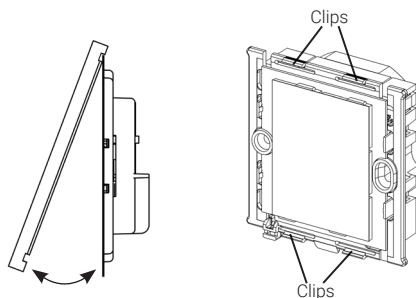
(Backboxes available from iLight)

Using the 2 screws provided, attach the control plate to the back box.



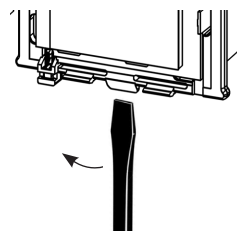
### Fixing the front cover

Once the control plate is installed in the backbox, the front cover can be attached. There are fixing clips on the top and bottom of the control plate. The front cover should be sat over the top fixing clips and then pressed over the bottom clips to secure it into position.



### Removing the front cover

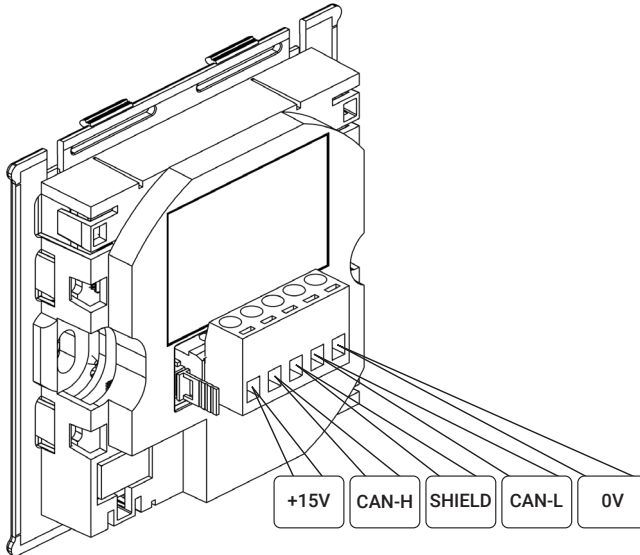
To remove the cover, there is a channel on the underside of the assembly. Using a small screwdriver, insert the end into this channel and carefully pry the cover towards you. Once the clip is disengaged the cover can be removed.



## iCAN network wiring

Verre Control Plates use iCANnet connections to ensure reliable and responsive transfer of control signals between multiple devices.

Cable connection is made to a removable 5-way connector block located at the rear of the control plate main body.



Maximum segment distance: 500m (1640 ft)  
Devices per segment: 100 (without bridge or repeater)

Additional power supplies may be required.  
Consult iLight for information on alternative cable types.

### Network Power Requirements

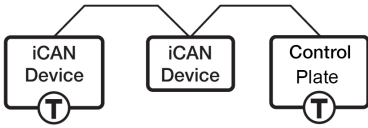
Nominal operating voltage: 15V (12-18V)  
Average operating current 65mA @15V  
Maximum operating current 115mA @12V  
(Note: A lower voltage will draw more current)

**IMPORTANT NOTE:** Connecting a mains potential cable to the iCAN Network terminals is likely to damage the unit and other devices connected, and invalidate warranty.

Function	iCANnet Cable Colours
0V	Black
CAN L	Blue
Shield	Silver
CAN H	White
+VDC	Red

# Termination

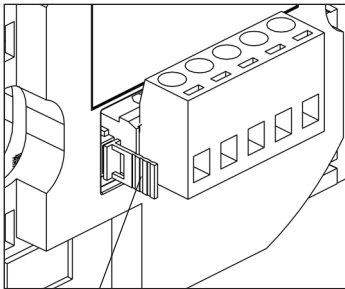
The iCANnet link is a 'daisy chain' protocol that requires termination on the devices located at either end of the chain.



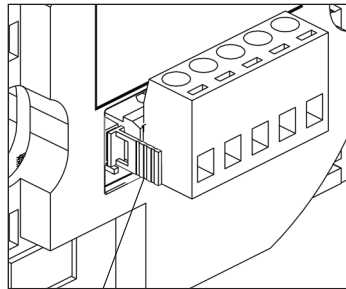
**T** - Indicates where a termination is required.

Verre Control Plates are supplied with termination disabled as standard. If this control plate is connected as an end device in the chain, you will need to enable termination.

To enable termination, move the jumper to the appropriate two pins as shown here:

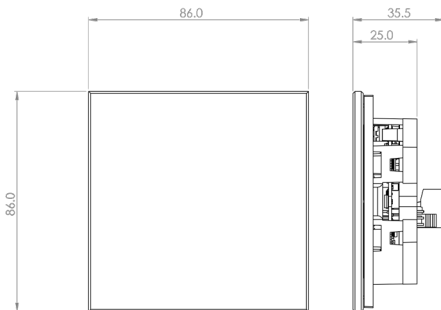


Termination ON



Termination OFF

# Dimensions



# Care and Maintenance

The front cover plate should only be cleaned gently with a clean, damp cloth. Abrasive cleaners, polishes, solvent based cleaning agents, or alkali based cleaners should not be used.

## iLight Technical Support

Tel: +44 (0)844 324 9100 (available Mon-Fri 9am-5pm GMT)

Email: [ctechsupport@signify.com](mailto:ctechsupport@signify.com)

Web: [www.iLight.co.uk](http://www.iLight.co.uk)

---

All products manufactured by iLight are warranted to be free from defects in material and workmanship and shall conform to and perform in accordance with Seller's written specifications.

This warranty will be limited to the repair or replacement, at Seller's discretion, of any such goods found to be defective, upon their authorized return to Seller. This limited warranty does not apply if the goods have been damaged by accident, abuse, misuse, modification or misapplication, by damage during shipment or by improper service.

There are no warranties, which extend beyond the hereinabove-limited warranty, INCLUDING, BUT NOT LIMITED TO, THE IMPLIED WARRANTY OF MERCHANTABILITY AND THE IMPLIED WARRANTY OF FITNESS.

No employee, agent, dealer, or other person is authorised to give any warranties on behalf of the Seller or to assume for the Seller any other liability in connection with any of its goods except in writing and signed by the Seller. The Seller makes no representation that the goods comply with any present or future federal, state or local regulation or ordinance. Compliance is the Buyer's responsibility.

The use of the Seller's goods should be in accordance with the provision of the National Electrical Code, UL and/or other industry or military standards that are pertinent to the particular end use. Installation or use not in accordance with these codes and standards could be hazardous.



### iLight

Usk House, Lakeside, Llantarnam Park,

Cwmbran, NP44 3HD, UK

t: +44 (0)1923 495495 e: [enquiries@ilight.co.uk](mailto:enquiries@ilight.co.uk)

[www.ilight.co.uk](http://www.ilight.co.uk)