

# TSE100

## 10" LCD Colour Touchscreen

### Key Features

- 10 inch diagonal backlit capacitive LCD touchscreen.
- Supports multi-touch & gesture
- 1280 X 800 pixel resolution
- Connects directly to the iCANnet™ network
- Also supports PoE Ethernet connection
- No reliance on central gateway product for control of lighting/shading, lighting edit and native iLight HVAC control
- TSEdesigner includes a comprehensive wizard, enabling quick and efficient creation of standard touchscreen configurations
- Configurations can be further modified or customised to meet customer needs
- Pass code feature to allow different access levels
- 2 part construction to allow for 1<sup>st</sup> and 2<sup>nd</sup> fix
- Fits standard UK 9/12 module 47mm deep back box
- CE & UKCA compliant to all relevant standards
- Designed and manufactured to ISO9001 standard



### Overview

The TSE100 touchscreen provides a flexible and intuitive user experience. Enabling the user to control the whole built environment including lighting, shading and climate in multiple spaces.

Both simple and advanced screen designs can be supported. A number of highly configurable skins provide the basis for most projects, enabling client specifications and needs to be fully accommodated.

The look can be further personalised, allowing the commissioner to add client logos, background images, startup pages or other items as required reinforcing brand identity in retail, hospitality and commercial environments.

TSE100 connects directly to the iLight network or via Ethernet using a TSI-1 touchscreen interface.



## TSEdesigner – Touchscreen Software

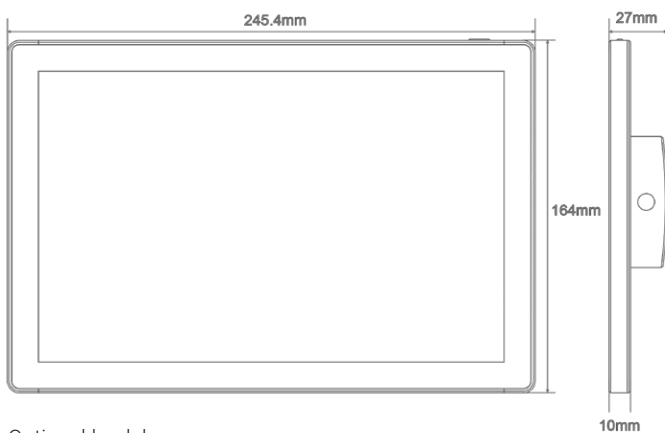
TSEdesigner is the dedicated tool for TSE touchscreen configuration and setup, supplied as an annual licence, it provides commissioners with the ability to wizard generate and modify projects according to customer needs.

The software incorporates both a 'quick start/guided wizard' and 'ground up design mode' for simple or more complex, customised screen designs. Importing the iLight virtual item file from a fully commissioned system provides the input for quick and efficient creation of a project, all area and channel naming is adopted and HVAC and shading control simply applied to areas as required.

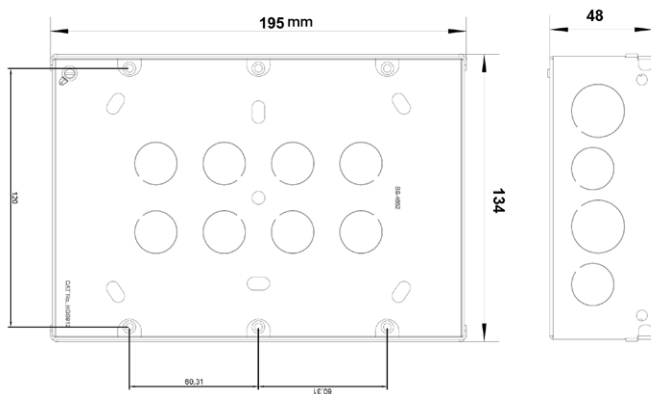
A number of highly configurable skins provide the basis for most projects, allowing customer logos, background images, startup pages or other items to be quickly added to a fully generated project.

Custom layouts and configurations can be produced with buttons, images, gauges and colour wheels. Object visibility, control and customised behaviour added. 'Smart blocks' can be created allowing for the same set of programmed objects to be used time and time again in different applications.

### Dimensions



Optional back box



## Electrical

Supply:  
15VDC (12-18V) via iCANnet™  
12-24V DC auxiliary power supply  
or Power over Ethernet (PoE)

Current Consumption:  
12V DC - 660mA Max  
24V DC - 330mA Max

Programming: iLight TSEdesigner software via Ethernet connection

Diagnostics, set up & programming - Via Ethernet

Firmware & App Update: Via USB or Ethernet

## Mechanical

Dimensions: 245.4mm (w) x 164mm (h) x 27mm (d)

Minimum mounting depth without back box: 20mm

Minimum mounting depth with back box: 47mm

Display: 10" (254mm) Diagonal

Resolution: 1280 x 800 pixels Display:

Projected Capacitive Touch supporting multi-touch & gesture

Climate Range:

Temperature: +2°C to +50°C

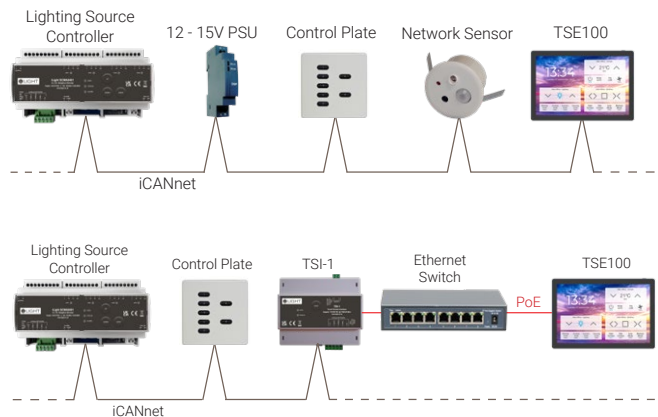
Humidity: +5 to 95% non condensing

## Accessories

TSE100 Backbox - 12NC: 91260000669

TSE 40/100 PSU- 12NC: 91260000668

## Typical Schematics



## Contact Us

enquiries@iLight.co.uk

www.iLight.co.uk

### iLight

A brand of Signify  
Usk House, Llantarnam Park  
Cwmbran, NP44 3HD, UK

Changes to the products, to the information contained in this document, and to prices are reserved; so are errors and omissions.

© 2024 Signify Holding  
All Rights Reserved

iLight is a registered trademark.  
All other trademarks are property of their respective owners.

TSE100 Rev5 0224



FM 727924