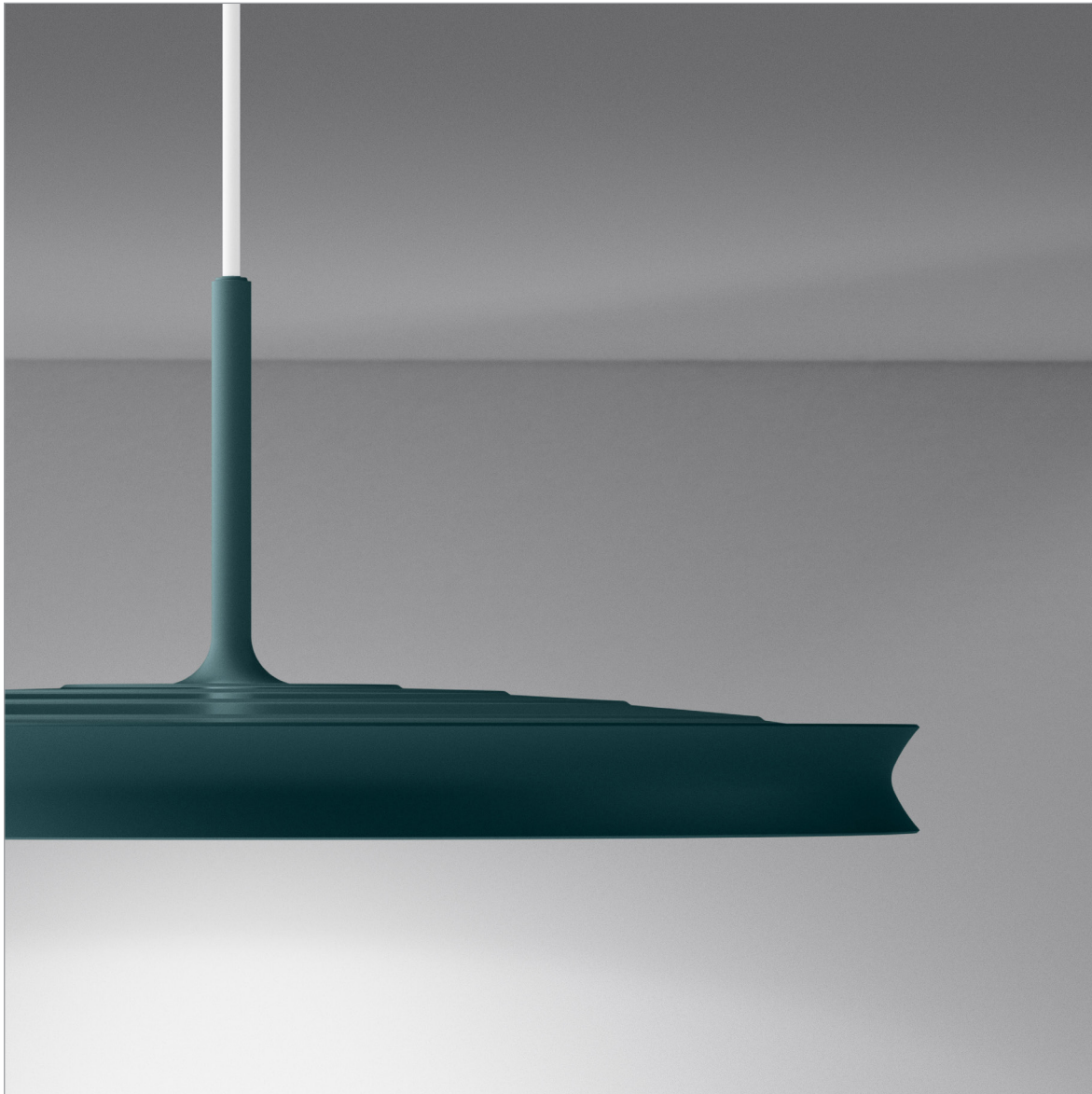


Yoyo - pendant

Design: C.F. Møller Architects



Yoyo is a range of elegant interior light fixtures with low height.

C.F. Møller Architects are the masters of Yoyo's elegant design with distinct curves and slim profiles. Concluded by sharp profiles at both ends, the characteristic parable results in a unique and sculptural look and the impression of a floating luminaire.

Being edge lit the Yoyo fixtures are free from dots and shadows from other components. The light from the edge is guided through the LGP and sent downwards by the top reflector.

Shades for Yoyo are opalised or microprismatic, and the latter is elegant without visible prisms.

Types:

For wall or ceiling, upright optional
Pendants, upright optional

Sizes:

Diameter: 225, 350, or 535 mm
Diameter pendant: 535 or 350 mm

Finish:

Various RAL colours

Lighting:

LED: Edge Lit, exchangeable
Top reflector + light guide plate (LGP)

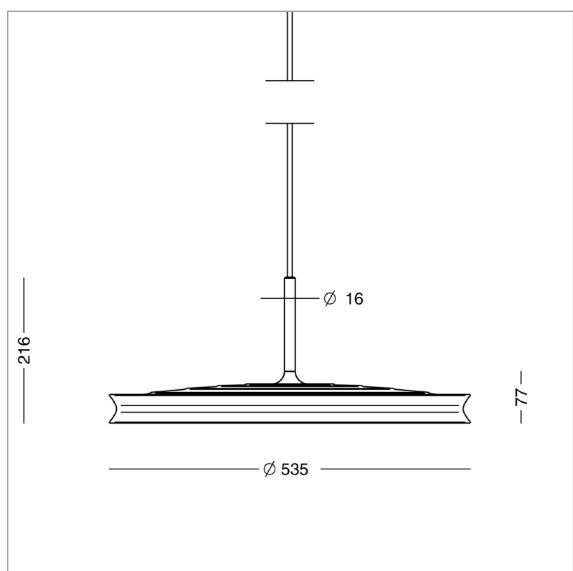
Yoyo 535 - pendant

Design: C.F. Møller Architects



Luminaire specification:

Material:	Cast aluminium
Finish/Colours:	Raw aluminium
G20:	white RAL9010, black RAL9005, alu-grey RAL9006, yellow RAL1032, orange RAL2003, blue-green RAL6004, squirrel grey RAL7000
Shade:	Acrylate (PMMA), opalised or micro prismatic
Lead:	3 m white or black PKAJ
Classification:	IP20, class I
Weight:	4.2 kg
Lamp type:	LED, exchangeable



LED and driver specification:

LED:	Edge Lit
Total consumption:	26-36 W
Operational life:	min 50,000 hours at ta 25°C L80B10
Colour temperature:	2700, 3000, or 4000 Kelvin
Energy eff. class:	2700 K: F 3000 and 4000 K: E
Colour rendering:	min 90 Ra
Colour accuracy:	3 Steps SDCM
Driver:	500-700 mA, option for dimmable driver
Operational life:	100,000 hours

Product codes:

YOYO 535 - pendant			
Item No.	Lamp type	Select colour, colour temperature, etc. in the table below.	
1850-	26 W LED, 500 mA		
1851-	36 W LED, 700 mA		
Combine with:	Colour	Shade	Colour temperature
	0 raw aluminium	empty	PMMA opalised
	1 white RAL 9010	M	PMMA micro prismatic
	3 black RAL 9005		
	19 alu-grey RAL 9006		940 4000 K, 90 Ra
	102 yellow RAL 1032		9WD* TW, Dali, 90 Ra
	103 orange RAL 2003		*) longer lead times
	104 blue-green RAL 6004		
	105 squirrel grey RAL 7000		
			Dimming/Control
			empty no dimming
			D DALI-2
			R Bluetooth sensor
			T Triac (350mA)
			Colour of lead
			empty white
			Y black
Example Item No.:	1851-19M930D = Yoyo 535 pendant, 36 W, alu-grey, prismatic shade, 3000 K 90 Ra, Dali, white lead		

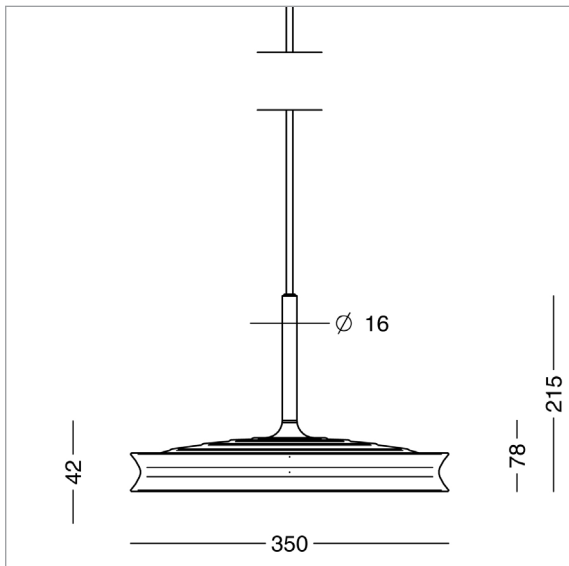
Yoyo 350 - pendant

Design: C.F. Møller Architects



Luminaire specification:

Material:	Cast aluminium
Finish/Colours:	Raw aluminium
G20:	white RAL9010, black RAL9005, alu-grey RAL9006, yellow RAL1032, orange RAL2003, blue-green RAL6004, squirrel grey RAL7000
Shade:	Acrylate (PMMA), opalised or micro prismatic
Lead:	3 m white or black PKAJ
Classification:	IP20, class I
Weight:	2.2 kg
Lamp type:	LED, exchangeable



LED and driver specification:

LED:	Edge Lit
Total consumption:	16-23 W
Operational life:	min 50,000 hours at ta 25°C L80B10
Colour temperature:	2700, 3000, or 4000 Kelvin
Energy eff. class:	2700 K: F 3000 and 4000 K: E
Colour rendering:	min 90 Ra
Colour accuracy:	3 Steps SDCM
Driver:	500-700 mA, option for dimmable driver
Operational life:	100,000 hours

Product codes:

YOYO 350 - pendant			
Item No.	Lamp type	Select colour, colour temperature, etc. in the table below.	
1853-	16 W LED, 500 mA		
1854-	23 W LED, 700 mA		
Combine with:	Colour	Shade	Colour temperature
	0 raw aluminium	empty	PMMA opalised
	1 white RAL 9010	M	PMMA micro prismatic
	3 black RAL 9005		
	19 alu-grey RAL 9006		940 4000 K, 90 Ra
	102 yellow RAL 1032		9WD* TW, Dali, 90 Ra
	103 orange RAL 2003		*) longer lead times
	104 blue-green RAL 6004		
	105 squirrel grey RAL 7000		
			Dimming/Control
			empty no dimming
			D DALI-2
			R Bluetooth sensor
			T Triac (350mA)
			Colour of lead
			empty white
			Y black
Example Item No.:	1853-1M927D = Yoyo 350 pendant, 16 W, white, prismatic shade, 2700 K 90 Ra, Dali, white lead		

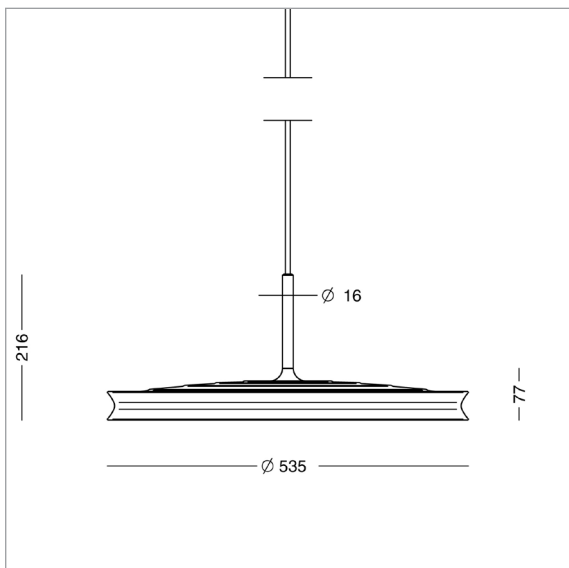
Yoyo 535 - pendant uplight

Design: C.F. Møller Architects



Luminaire specification:

Material:	Cast aluminium
Finish/Colours:	Raw aluminium
G20:	white RAL9010, black RAL9005, alu-grey RAL9006, yellow RAL1032, orange RAL2003, blue-green RAL6004, squirrel grey RAL7000
Shade:	Acrylate (PMMA), opalised or micro prismatic
Uplight:	Opalised polycarbonate
Lead:	3 m white or black PKAJ
Classification:	IP20, class I
Weight:	4.2 kg
Lamp type:	LED, exchangeable



LED and driver specification:

LED:	Edge Lit
Total consumption:	26-36 W
Operational life:	min 50,000 hours at ta 25°C L80B10
Colour temperature:	2700, 3000, or 4000 Kelvin
Energy eff. class:	2700 K: F 3000 and 4000 K: E
Colour rendering:	min 90 Ra
Colour accuracy:	3 Steps SDCM
Driver:	500-700 mA, option for dimmable driver
Operational life:	100,000 hours

Product codes:

YOYO 535 - pendant uplight			
Item No.	Lamp type	Select colour, colour temperature, etc. in the table below.	
1855-	26 W LED, 500 mA, with uplight		
1856-	36 W LED, 700 mA, with uplight		
Combine with:	Colour	Shade	Colour temperature
	0 raw aluminium	empty PMMA opalised	927 2700 K, 90 Ra
	1 white RAL 9010	M PMMA micro prismatic	930 3000 K, 90 Ra
	3 black RAL 9005		940 4000 K, 90 Ra
	19 alu-grey RAL 9006		9WD* TW, Dali, 90 Ra
	102 yellow RAL 1032		*) longer lead times
	103 orange RAL 2003		
	104 blue-green RAL 6004		
	105 squirrel grey RAL 7000		
			Dimming/Control
			empty no dimming
			D DALI-2
			R Bluetooth sensor
			T Triac (350mA)
			Colour of lead
			empty white
			Y black
Example Item No.:	1856-19M930D = Yoyo 535 pendant, 36 W, alu-grey, prismatic shade, 3000 K 90 Ra, Dali, white lead		

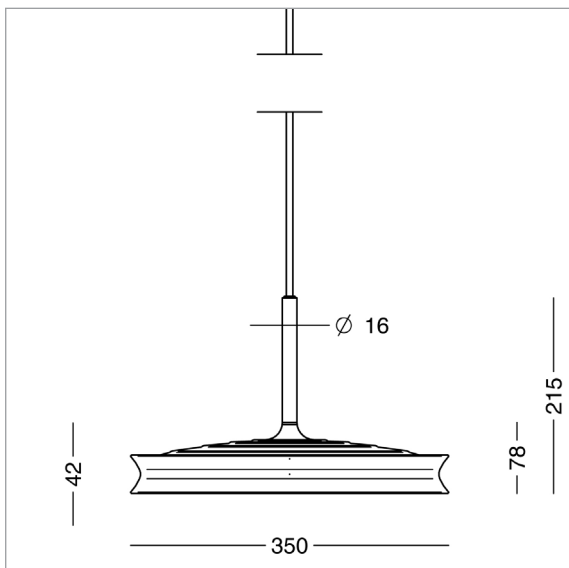
Yoyo 350 - pendant uplight

Design: C.F. Møller Architects



Luminaire specification:

Material:	Cast aluminium
Finish/Colours:	Raw aluminium
G20:	white RAL9010, black RAL9005, alu-grey RAL9006, yellow RAL1032, orange RAL2003, blue-green RAL6004, squirrel grey RAL7000
Shade:	Acrylate (PMMA), opalised or micro prismatic
Uplight:	Opalised polycarbonate
Lead:	3 m white or black PKAJ
Classification:	IP20, class I
Weight:	2.2 kg
Lamp type:	LED, exchangeable



LED and driver specification:

LED:	Edge Lit
Total consumption:	16-23 W
Operational life:	min 50,000 hours at ta 25°C L80B10
Colour temperature:	2700, 3000, or 4000 Kelvin
Energy eff. class:	2700 K: F 3000 and 4000 K: E
Colour rendering:	min 90 Ra
Colour accuracy:	3 Steps SDCM
Driver:	500-700 mA, option for dimmable driver
Operational life:	100,000 hours

Product codes:

YOYO 350 - pendant uplight			
Item No.	Lamp type	Select colour, colour temperature, etc. in the table below.	
1857-	16 W LED, 500 mA		
1858-	23 W LED, 700 mA		
Combine with:	Colour	Shade	Colour temperature
	0 raw aluminium	empty PMMA opalised	927 2700 K, 90 Ra
	1 white RAL 9010	M PMMA micro prismatic	930 3000 K, 90 Ra
	3 black RAL 9005		940 4000 K, 90 Ra
	19 alu-grey RAL 9006		9WD* TW, Dali, 90 Ra
	102 yellow RAL 1032		*) longer lead times
	103 orange RAL 2003		
	104 blue-green RAL 6004		
	105 squirrel grey RAL 7000		
			Dimming/Control
			empty no dimming
			D DALI-2
			R Bluetooth sensor
			T Triac (350mA)
			Colour of lead
			empty white
			Y black
Example Item No.:	1857-1M927D = Yoyo 350 pendant, 16 W, white, prismatic shade, 2700 K 90 Ra, Dali, white lead		