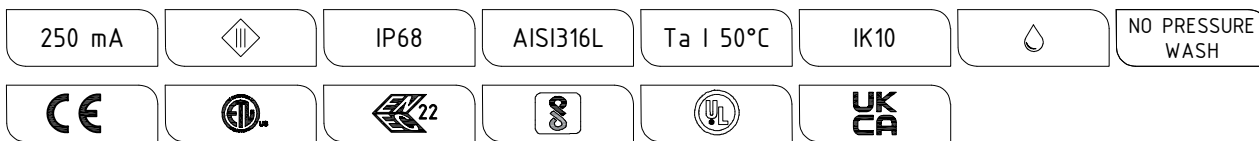
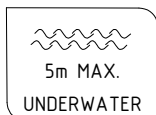
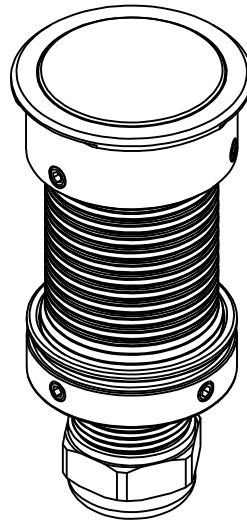


ARPOOL XS

INSTALLATION INSTRUCTIONS (FIXTURE)



ALL DIMENSIONS ARE GIVEN ACCORDING TO THE SI SYSTEM OF UNITS (MM, KG, °C), ADDITIONAL DIMENSIONS THAT ARE WRITTEN IN BRACKETS, ARE GIVEN ACCORDING TO THE U.S. MEASUREMENT SYSTEM (IN, LBS, °F)

GENERAL REMARKS ON SAFETY

- READ ALL OF THESE INSTRUCTIONS BEFORE INSTALLATION.
- KEEP ALL OF THE INSTRUCTIONS FOR FUTURE REFERENCE.
- INSTALLATION IS TO BE PERFORMED BY A QUALIFIED CONTRACTOR.
- ALL INSTALLATIONS ARE TO CONFORM TO THE STANDARDS OF THE NATIONAL ELECTRICAL CODE AS WELL AS ALL LOCAL JURISDICTIONAL CODES AND REGULATIONS.
- THE MANUFACTURER ACCEPTS NO RESPONSIBILITY FOR DAMAGE TO PERSONS OR PROPERTY ARISING THROUGH IMPROPER USE OR INSTALLATION.
- HOUSINGS' SURFACES EXPOSED TO THE EFFECTS OF WATER (INCLUDING WATER CONTAINING CHLORINE) ARE MADE OUT OF AISI316L STAINLESS STEEL. AISI316L IS SUITABLE FOR THIS USE AND WILL PREVENT CORROSION UP TO LEVEL OF 1000 PPM OF CHLORINE IN WATER AND UP TO WATER pH LEVEL OF 7.
- FOR WARRANTY CONDITIONS PLEASE CONSULT LOCAL SALES REPRESENTATIVE

WIRE MARKINGS

OPTION WITH RGBW LED COLOR

+R	BLACK 1	WIRE	} (0.25 A PER COLOR)
-R	BLACK 2	WIRE	
+G	BLACK 3	WIRE	
-G	BLACK 4	WIRE	
+B	BLACK 5	WIRE	
-B	BLACK 6	WIRE	
+W	BLACK 7	WIRE	
-W	GREEN	WIRE	

OPTION WITH TUNABLE WHITE COLOR

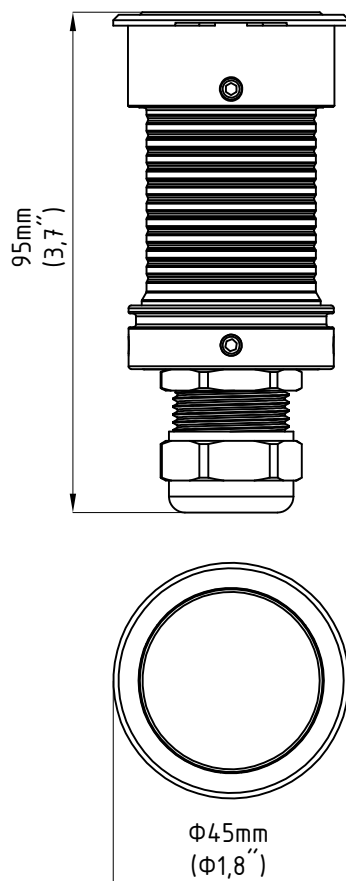
+ 2200K	RED	WIRE	} (0.25 A PER COLOR)
- 2200K	GREEN	WIRE	
+ 4000K	BLACK	WIRE	
- 4000K	WHITE	WIRE	
NOT IN USE	ORANGE	WIRE	

NOTE:

IT ADVISED THAT CABLE LENGTH IS LONG ENOUGH THAT IT REACHES DRY AREA FOR SPLICE CONNECTION. CONTROL GEAR USED TO POWER THIS LUMINAIRE SHALL BE SELV TYPE; HIGHEST ALLOWED U_{out} TO BE MAX 10% OF THE NOMINAL VOLTAGE OF CONTROL GEAR; MAXIMUM ALLOWED WIRING DISTANCE BETWEEN CONTROL GEAR AND LUMINAIRE WITH STANDARD SUPPLIED CABLE IS 20 m OR 66'. INSTALLATION OF LONGER WIRING LENGTHS SHOULD BE DISCUSSED WITH MANUFACTURER PRIOR THE FIXTURE ORDERING. WHERE LUMINAIRE IS DELIVERED WITH CONNECTING LEADS AND WITHOUT A MEANS OF CONNECTION TO THE POWER SUPPLY TERMINAL BLOCKS MAY BE USED (TERMINAL BLOCKS SUPPLIED BY MANUFACTURER). IF TERMINAL BLOCKS ARE LOST, THEY SHALL BE REPLACED FOR THE SAME IP RATING AS THE LUMINAIRE ITSELF (LOSS OF TERMINAL BLOCKS IS NOT COVERED BY WARRANTY CLAIM), WITH RATED VOLTAGE OF MIN. 400 V AND RATED CONNECTION CAPACITY OF 10A.

WIRE ENDS COMING FROM POWER SUPPLY TO BE PREPARED AS TERMINAL BLOCK MANUFACTURER RECOMMENDS. TERMINAL BLOCK SHOULD BE PLACED IN A LOCATION WHERE IT DOESN'T NOT AFFECT THE LUMINAIRE OPERATION.

FIXTURE DIMENSIONS



FIXTURE INSTALLATION GUIDE

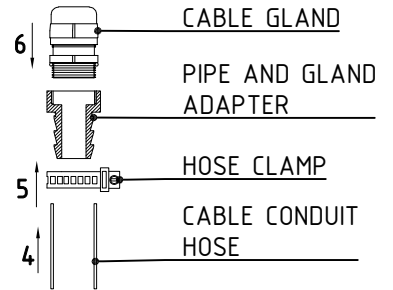
CONCRETE POOL FIXTURE

1. ROUTE THE FIXTURE CABLE THROUGH CONDUIT HOSE TO THE SPLICE CONNECTION AREA (IT IS ADVISED THAT AREA WHERE SPLICE CONNECTION IS MADE IS DRY AND SUITABLE FOR ELECTRICAL CONNECTIONS)
2. PLACE THE FIXTURE BY PUSHING IT IN THE INSTALLATION HOUSING (IT IS RECOMMENDED TO USE SILICONE GREASE ON THE O-RING BEFORE PLACING THE FIXTURE IN THE INSTALLATION HOUSING, THE SILICONE GREASE IS NOT SUPPLIED BY THE MANUFACTURER)
3. ROUTE THE CABLE THROUGH GLAND AND TIGHTEN CABLE GLAND (DRY AREA)

DRY AREA

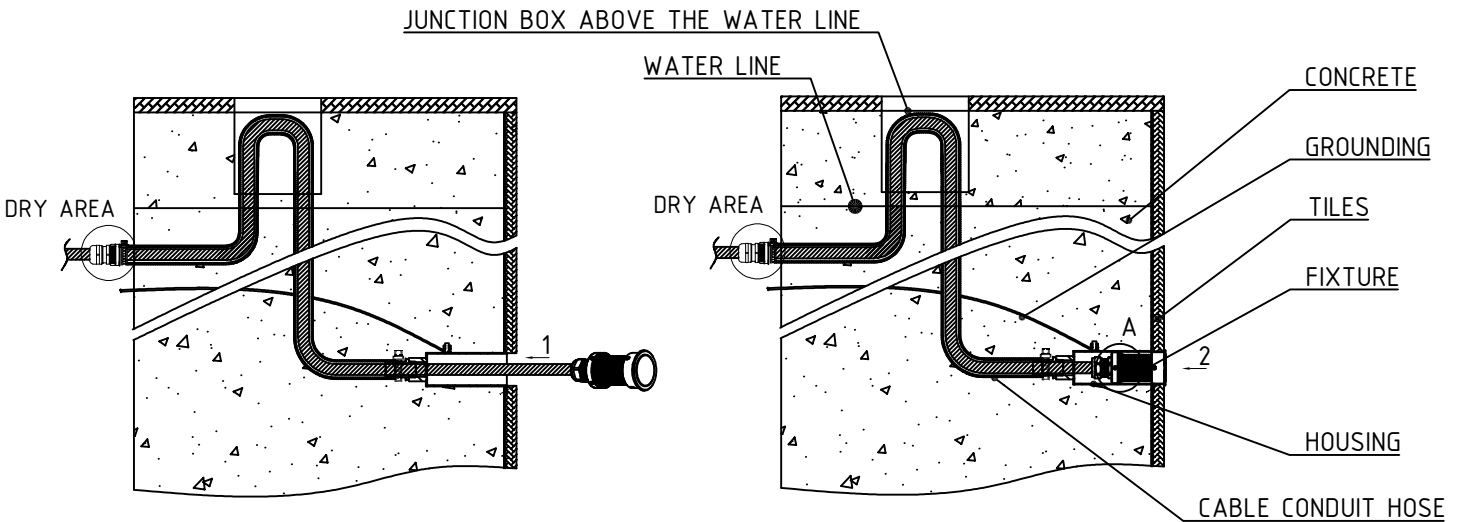
4. CONNECT CABLE CONDUIT HOSE TO THE GLAND ADAPTER
5. MOUNT AND FASTEN HOSE CLAMP (SUPPLIED BY MANUFACTURER).
6. MOUNT CABLE GLAND ON TO GLAND ADAPTER

DRY AREA ARRANGEMENT



IMPORTANT NOTE:

- MAKE SURE THE SECTION OF THE CABLE CONDUIT HOSE IS ABOVE THE WATER LINE TO PREVENT WATER FROM DRAINING THROUGH THE CABLE CONDUIT HOSE.
- HOLES IN THE TILES FOR FIXTURE PLACEMENT TO BE IN RANGE 40-42 MM



DETAIL A

