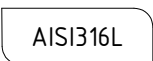
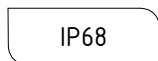
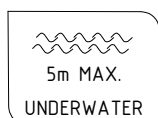
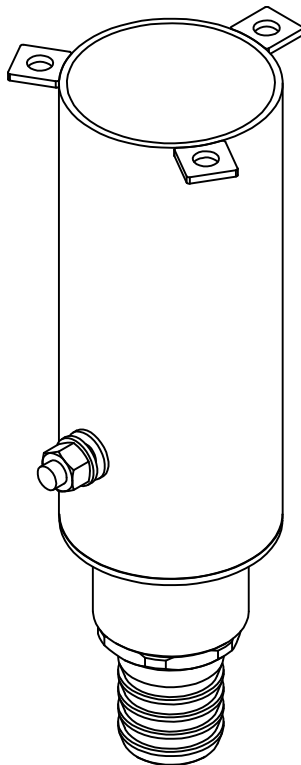


ARPOOL XS

INSTALLATION INSTRUCTIONS (HOUSING)



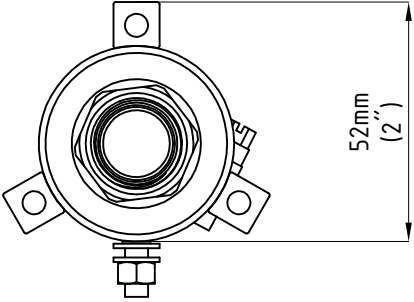
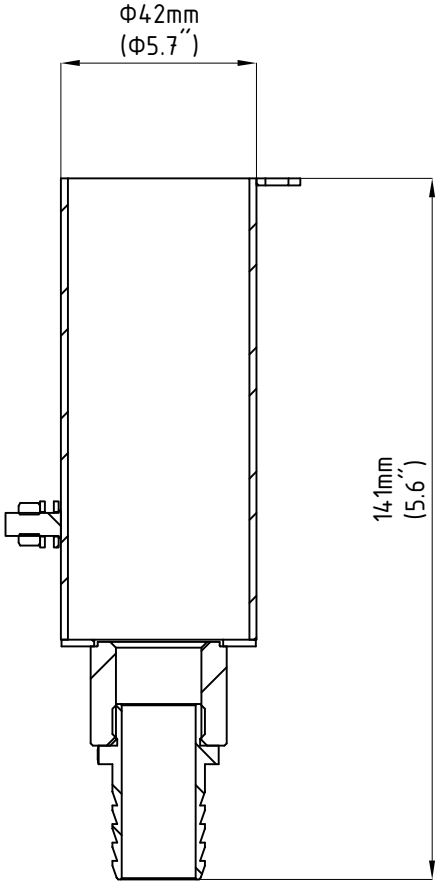
ALL DIMENSIONS ARE GIVEN ACCORDING TO THE SI SYSTEM OF UNITS (MM, KG, °C), ADDITIONAL DIMENSIONS THAT ARE WRITTEN IN BRACKETS, ARE GIVEN ACCORDING TO THE U.S. MEASUREMENT SYSTEM (IN, LBS, °F)

GENERAL REMARKS ON SAFETY

- READ ALL OF THESE INSTRUCTIONS BEFORE INSTALLING THE HOUSING.
- KEEP ALL OF THE INSTRUCTIONS FOR FUTURE REFERENCE.
- INSTALLATION IS TO BE PERFORMED BY A QUALIFIED CONTRACTOR.
- ALL INSTALLATIONS ARE TO CONFORM TO THE STANDARDS OF THE NATIONAL ELECTRICAL CODE AS WELL AS ALL LOCAL JURISDICTIONAL CODES AND REGULATIONS.
- THE MANUFACTURER ACCEPTS NO RESPONSIBILITY FOR DAMAGE TO PERSONS OR PROPERTY ARISING THROUGH IMPROPER USE OR INSTALLATION.
- HOUSINGS' SURFACES EXPOSED TO THE EFFECTS OF WATER (INCLUDING WATER CONTAINING CHLORINE) ARE MADE OUT OF AISI316L STAINLESS STEEL. AISI316L IS SUITABLE FOR THIS USE AND WILL PREVENT CORROSION UP TO LEVEL OF 1000 PPM OF CHLORINE IN WATER AND UP TO WATER pH LEVEL OF 7.
- FOR WARRANTY CONDITIONS PLEASE CONSULT LOCAL SALES REPRESENTATIVE

HOUSING DIMENSIONS

CONCRETE POOL HOUSING



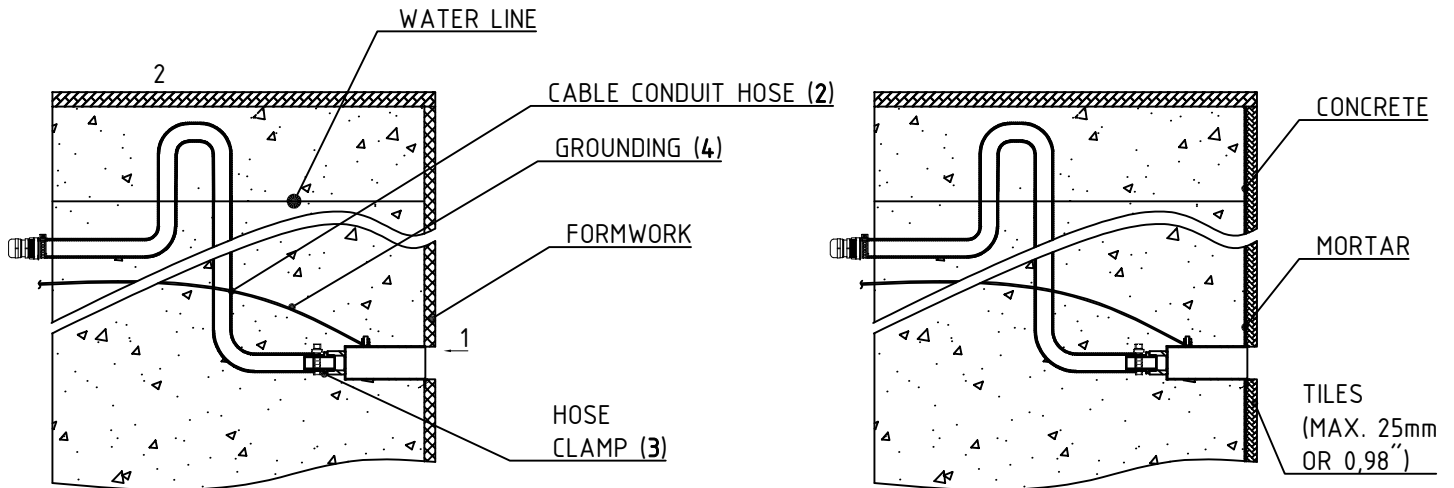
HOUSING INSTALLATION GUIDE

CONCRETE POOL HOUSING

1. ATTACH THE ARPOOL INSTALLATION HOUSING TO THE FORMWORK WITH SCREWS (A4/MARINE GRADE) OR NAILS (A4/MARINE GRADE) (SCREWS OR NAILS NOT SUPPLIED BY MANUFACTURER)
2. ATTACH CABLE CONDUIT HOSE TO HOUSING WITH HOSE CLAMP
3. MAKE SURE THE SECTION OF THE CABLE CONDUIT HOSE IS ABOVE THE WATER LINE TO PREVENT WATER DRAINAGE FROM THE POOL THROUGH THE HOSE
4. GROUND THE HOUSING (GROUNDING WIRE NOT SUPPLIED BY MANUFACTURER).
5. PUT MORTAR AND TILES

IMPORTANT NOTE:

BEFORE ATTACHING THE HOUSING (1), PROTECT THE HOUSING OPENING WITH TAPE, TO PREVENT EXCESS MATERIAL IN THE HOUSING



CABLE INSTALLATION GUIDE

IMPORTANT NOTE:

WHEN ROUTING THE CABLE CONDUIT HOSE, POSITION THE SECTION OF THE HOSE ABOVE THE WATERLINE TO PREVENT WATER DRAINAGE FROM THE POOL THROUGH THE HOSE

