

B.E.G.

Feel comfortable in your building



Aleum Glow

HIGHLIGHT YOUR HOME THROUGH MOTION



The new motion detectors
with Glow

- Timeless, clear design, high-quality technology
- „Glow“, selectable accent lighting
- 3 m to 16 m detection range
- Electronically and mechanically adjustable
- Controllable via Bluetooth using our B.E.G. One app
- Available in two colour variants



beg-luxomat.com



Aleum – the new clean design B.E.G. motion detectors

Lovers of minimalist architecture want stylish designed devices for the front of buildings or entrance areas. B.E.G. fulfils this wish with the new Aleum motion detector models. Their design language is clear; like two cubes standing on top of each other. At the same time, the high-quality B.E.G. technology allows the owner customisation options, including mechanical range adjustment.

Pure, straightforward and clear – this is the look of the new Aleum motion detectors from B.E.G. Brück Electronic GmbH. The rectangular lens shape of the motion detectors is new. With four integrated PIR sensors, 180° detection range, creep protection and an adjustable range from 3 to 16 metres, the Aleum models offer convenient, automatic lighting and security outside and indoor areas of buildings.

The designer appliances are available in two versions and with additional surface-mounted base for surface-mounted cables on request. The housing colours are based on RAL 9010 (pure white) and RAL 7016 (anthracite grey). There is a choice of a white Aleum with a bright lens and a dark model with anthracite grey housing and dark lens.

Aleum with Glow

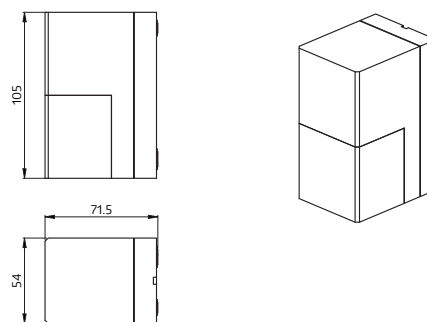
The Aleum motion detectors are iconic, and not just because of their pure design. Light accent lighting can be set to effectively emphasise the motion detector on the façade if desired. With Aleum, electronic or mechanical adjustment is not just reserved for the electrical engineer. The homeowner also has adjustment options on the device itself or electronically via the B.E.G. One App. In addition to the colour selection, the outdoor motion detector can be set to a party mode, for example, to prevent presence-dependent switching on and off during celebrations.



Technical data

- Voltage: 230 V AC +/- 10% 50 / 60 Hz
- Detection area: 180° + 360° anti-creep protection
- PIR sensors: 3 + 1
- Range: 3m to 16m
- Switching power: 2300 W, cos φ = 1
1150 VA, cos φ = 0.5
300 W LED
- Ambient temperature: -25°C to +50°C
- Colour(s) Housing: RAL 7016 + 9010
- Dimensions: 54 x 105 x 71 mm
- Degree / class of protection: IP54 / II

Dimensions



Colour variants



93132
White Bright



93134
Anthracite Dark

Products and accessories

Description	Colour variant	Part no.
Aleum Glow	White Bright (WB)	93132
Aleum Glow	Anthracite Dark (AD)	93134